



COMPOSITY

STRUCTURE AND STEPS
ASSEMBLING INSTRUCTION

	Composity structure and steps installation manual. Configuration I - L	Code	Rev. 1	Date 29-07-2016
--	---	------	------------------	---------------------------

INDEX

1 STRUCTURE

1.1 Check measure	11
2.1 Pre assembly	15
3.1 Assembly	31

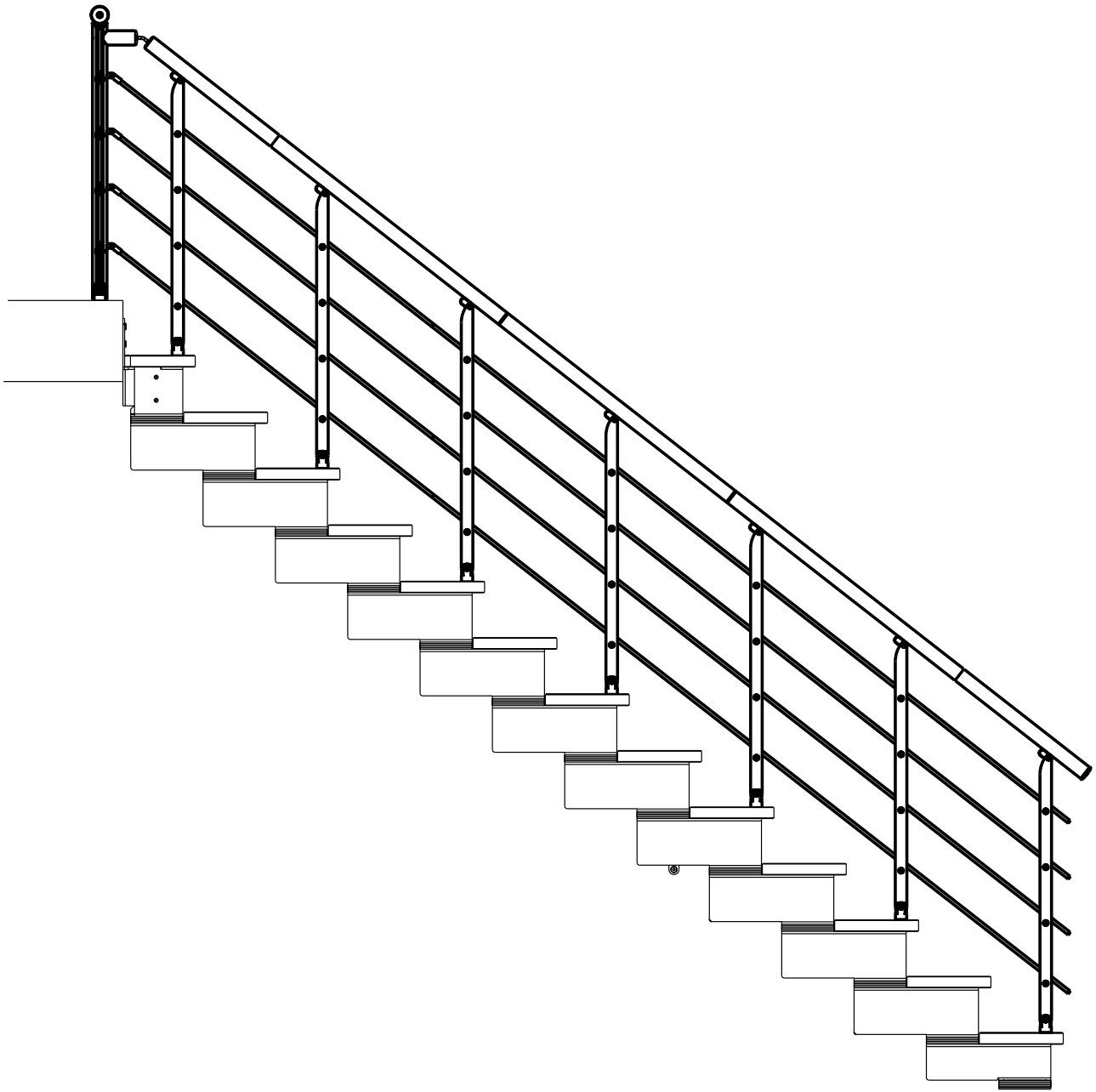


	Composity structure and steps installation manual. Configuration I - L	Code	Rev. 1	Date 29-07-2016
--	--	------	------------------	---------------------------



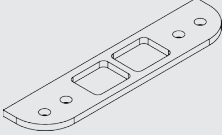
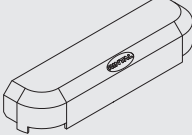


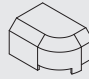


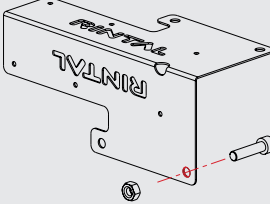
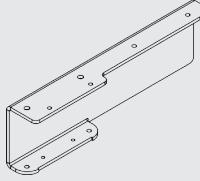
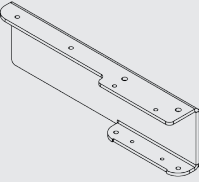
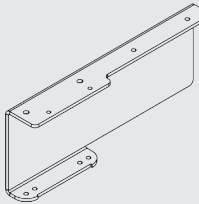
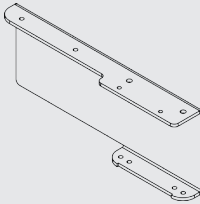
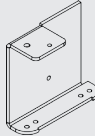
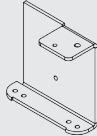
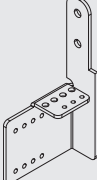
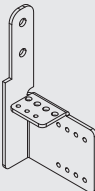
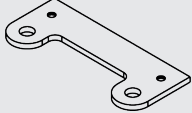
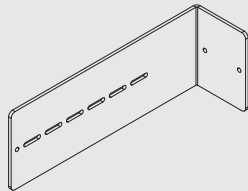
	Composity structure and steps installation manual. Configuration I - L	Code	Rev. 1	Date 29-07-2016
--	---	------	------------------	---------------------------

STRUCTURE



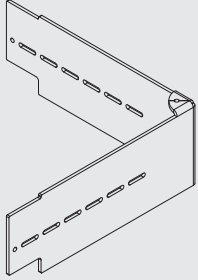
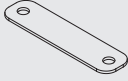
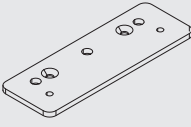
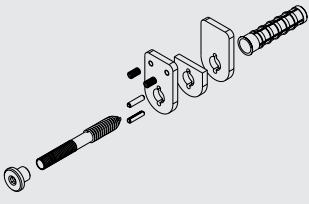
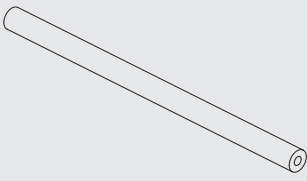
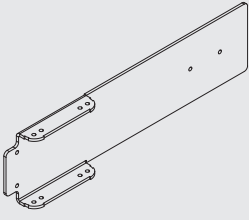
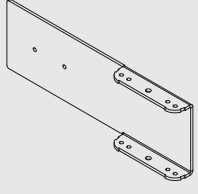
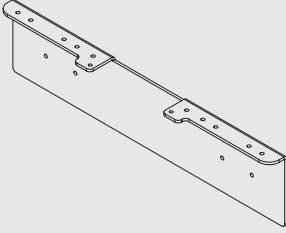
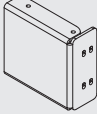
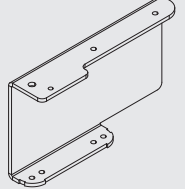
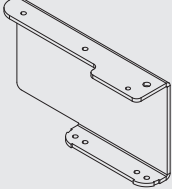
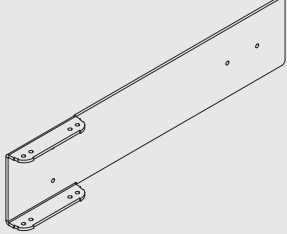
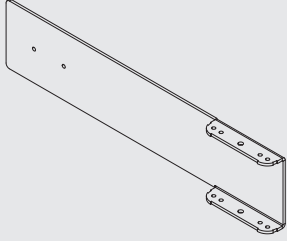
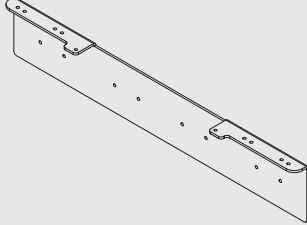
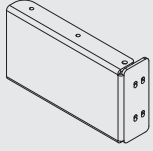
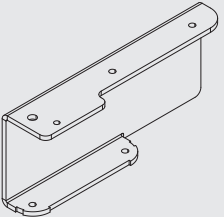
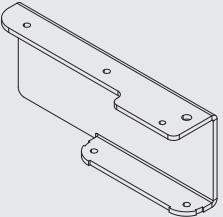
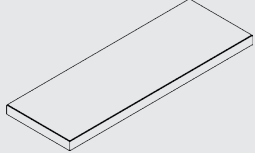
	Composity structure and steps installation manual. Configuration I - L	Code	Rev. 1	Date 29-07-2016
--	--	------	------------------	---------------------------

Components

Component	Code	Component	Code	Component	Code
	PC00		PC01		PC02
	PC03		PC04		TN01 14X70
	PL41		DM01		ST01
	ST02		ST03		ST04
	ST05		ST06		ST07
	ST08		ST32		ST31

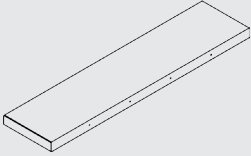
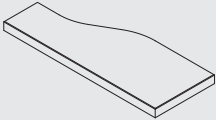
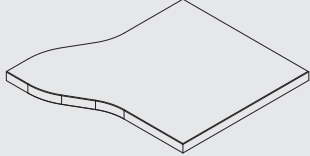

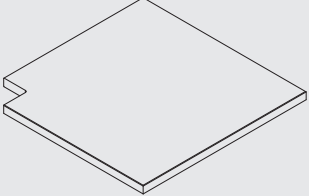
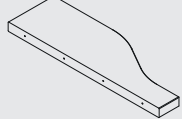
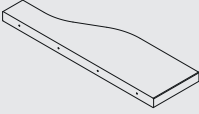
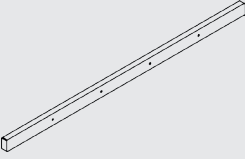
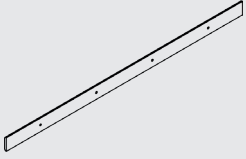


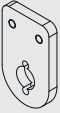


	Composity structure and steps installation manual. Configuration I - L	Code	Rev. 1	Date 29-07-2016
--	--	------	------------------	---------------------------

Component	Code	Component	Code	Component	Code
	ST30		ST33		ST34
	FX01		FX02		ST09
	ST10		ST11		ST12
	ST13		ST14		ST15
	ST16		ST17		ST18
	ST19		ST20		GR01







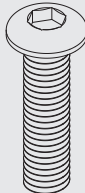
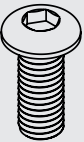
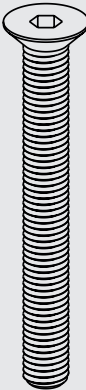
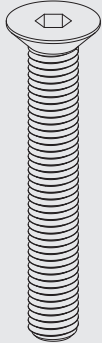
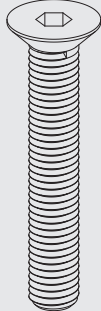



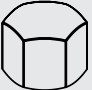
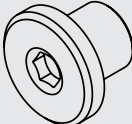





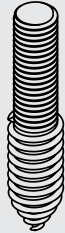
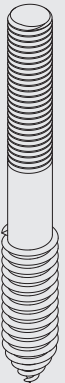
	Composity structure and steps installation manual. Configuration I - L	Code	Rev. 1	Date 29-07-2016
--	--	------	------------------	---------------------------

Component	Code	Component	Code	Component	Code
	GR02		GR03		GR04
	GR05		GR06		GR07
	GR08		LS01		LS02
	ST35		ST36		ST37



	Composity structure and steps installation manual. Configuration I - L	Code	Rev. 1	Date 29-07-2016
--	--	------	------------------	---------------------------

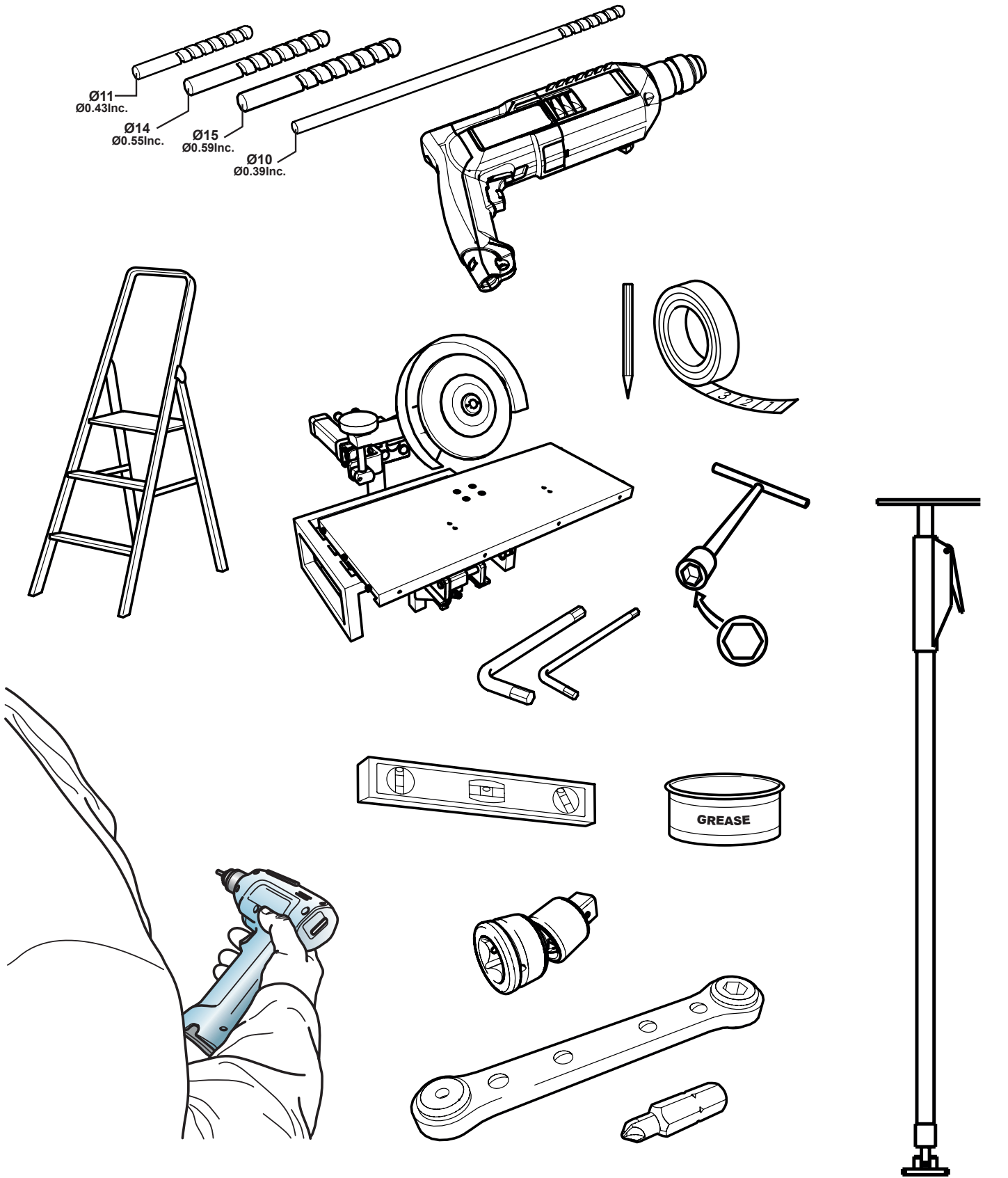
Screws

Component	Code	Component	Code	Component	Code	Component	Code	Component	Code
	BM01 M8X70		BM02 M8X55		BM03 M8X45		BM04 M8X40		BM16 M8X30
	BM05 M8X20		BM06 M8X70		BM07 M8X55		BM13 M8X50		BM08 M8X40
	BM09 M8X20		BM30 M8		BM32 M8		BM33 M0x16		BM34 8x16x1.6
	BM40 M5x6		UN01 4x18		BL01 6X40		BL02 6X60		BL11 10X60
	BL10 10X100								



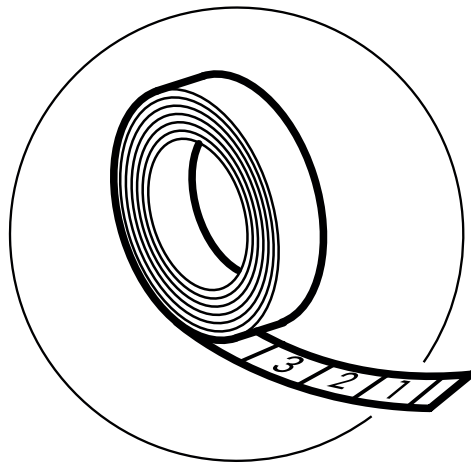
	Composity structure and steps installation manual. Configuration I - L	Code	Rev. 1	Date 29-07-2016
--	---	------	------------------	---------------------------

Tools

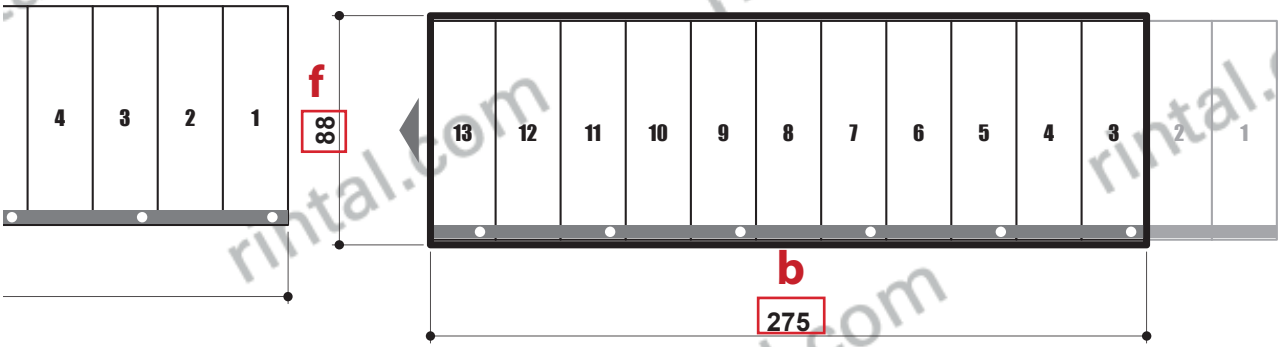


1.1

CHECK THE MEASURES



	Composity structure and steps installation manual. Configuration I - L	Code	Rev. 1	Date 29-07-2016
--	--	------	------------------	---------------------------

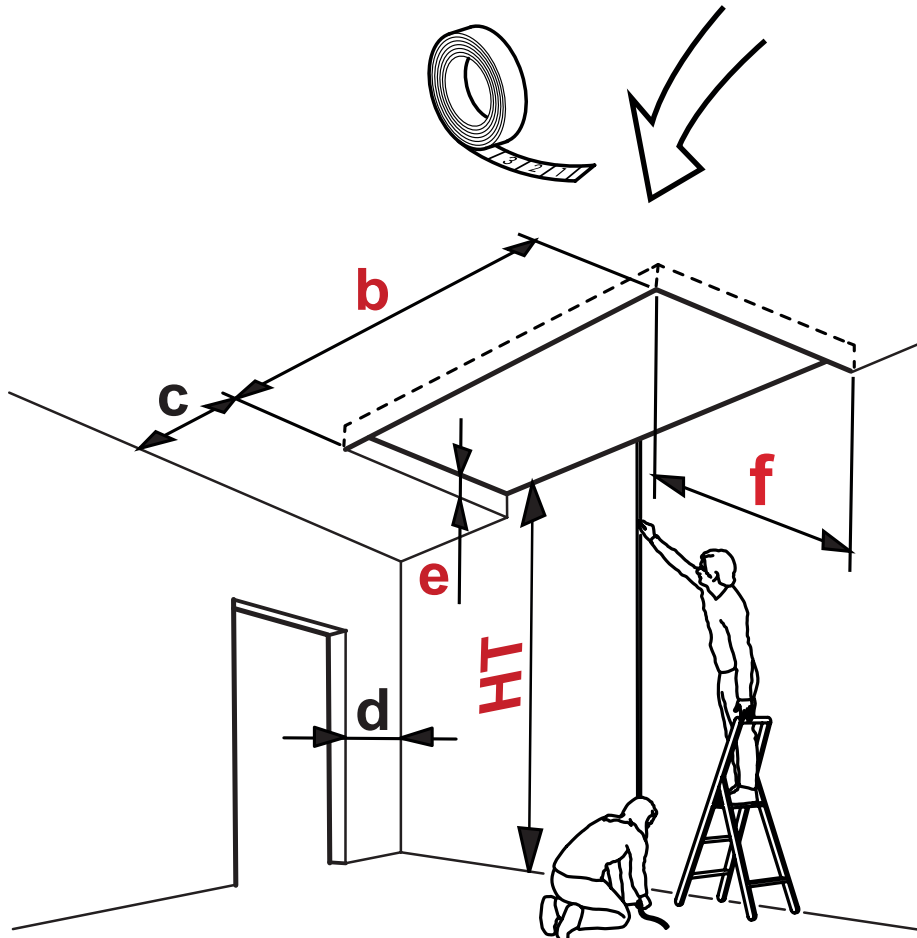


file _____ customer _____
order _____ vendor _____ dat _____

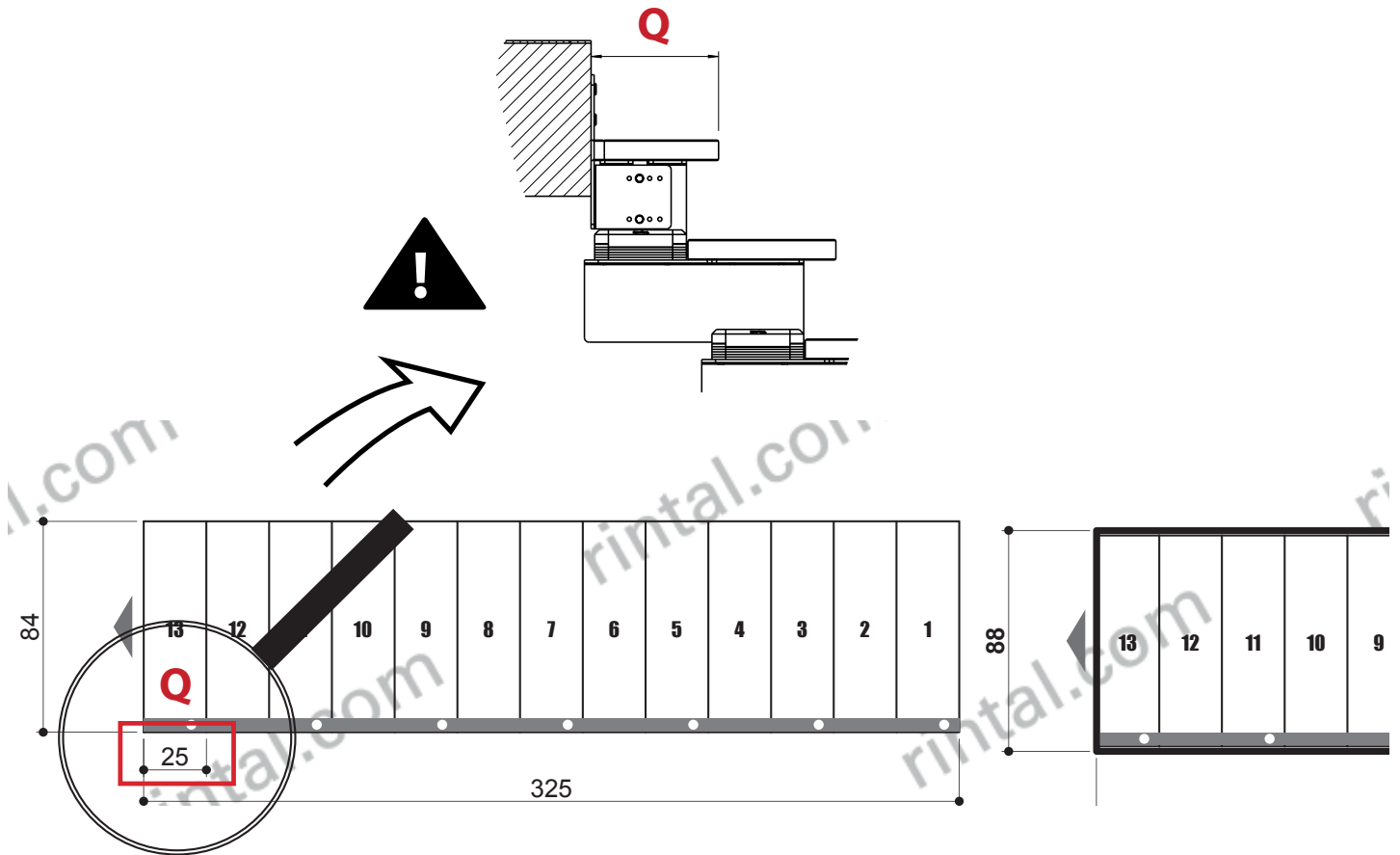
room data
e slab thickness **30 cm**
total rise **300 cm** **HT**
clearance **207 cm**
verified on **3° step**

stair data
landing type **below floor**
steps **13**
rise **21.4 cm**
going **25.0 cm**
flights width **84 cm**

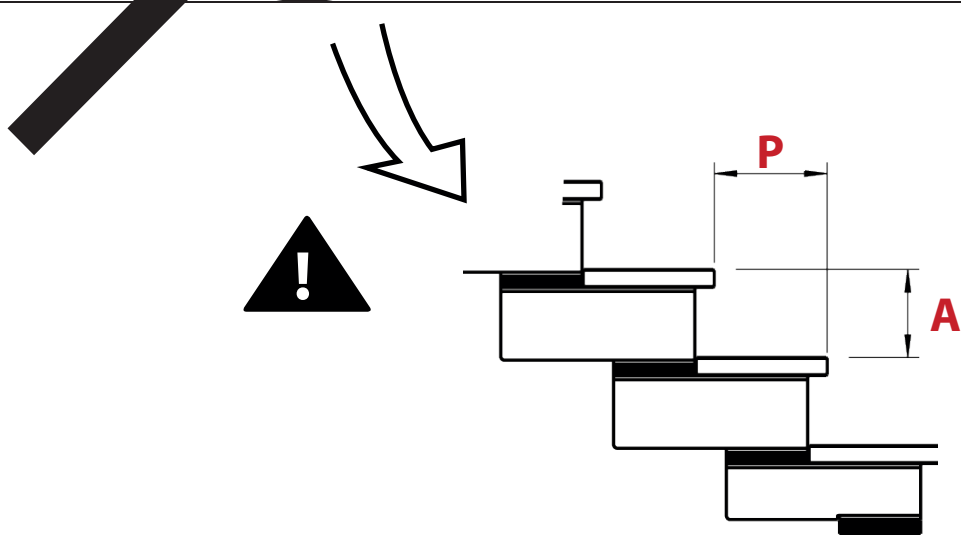
options
railing type **Minimal**



	Composity structure and steps installation manual. Configuration I - L	Code	Rev. 1	Date 29-07-2016
--	--	------	------------------	---------------------------



_____	customer _____	(signature for acceptance)
_____	vendor _____	date 14-Jun-2016
<i>room data</i>	<i>stair data</i>	<i>options</i>
width 30 cm	landing type below floor	railing type Minimal 4 tubes
total rise 300 cm	A steps 13 P rise 21.4 cm going 25.0 cm flights width 84 cm	
depth 207 cm		
based on 3° step		

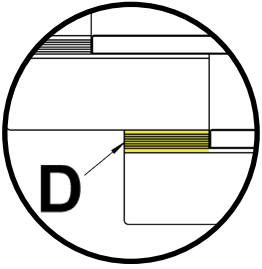


2.1

PRE ASSEMBLY



	Composity structure and steps installation manual. Configuration I - L	Code	Rev. 1	Date 29-07-2016
--	--	------	------------------	---------------------------



model **Composity**

Quality System Standard UNI EN ISO 9001

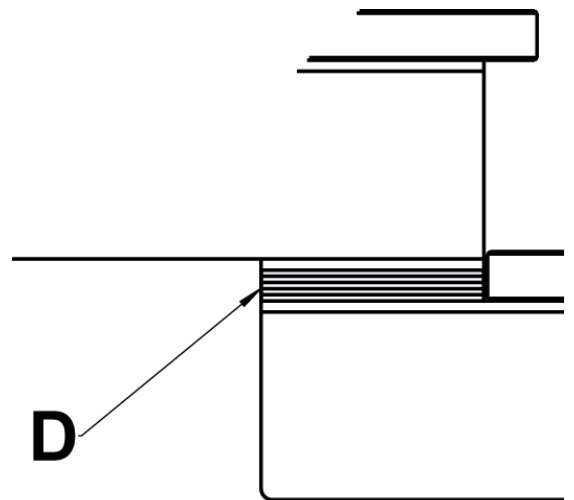
vendor _____
customer _____
file _____
order _____

THE CLIENT _____
(signature for acceptance and stamp required in case of a company)
date **14-Jun-2016 10:59:14**

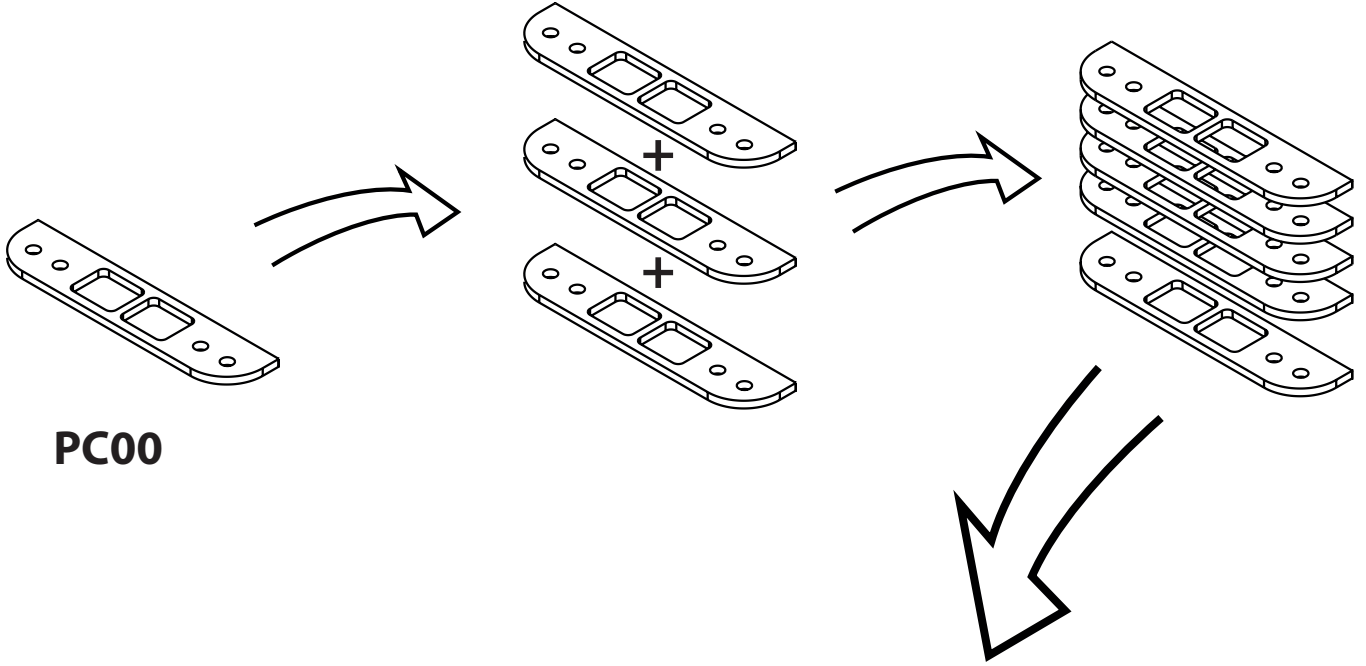
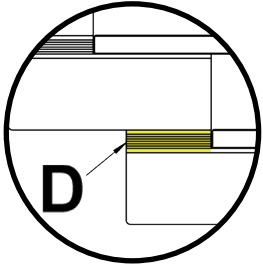
Technical notes

Rise adjustment

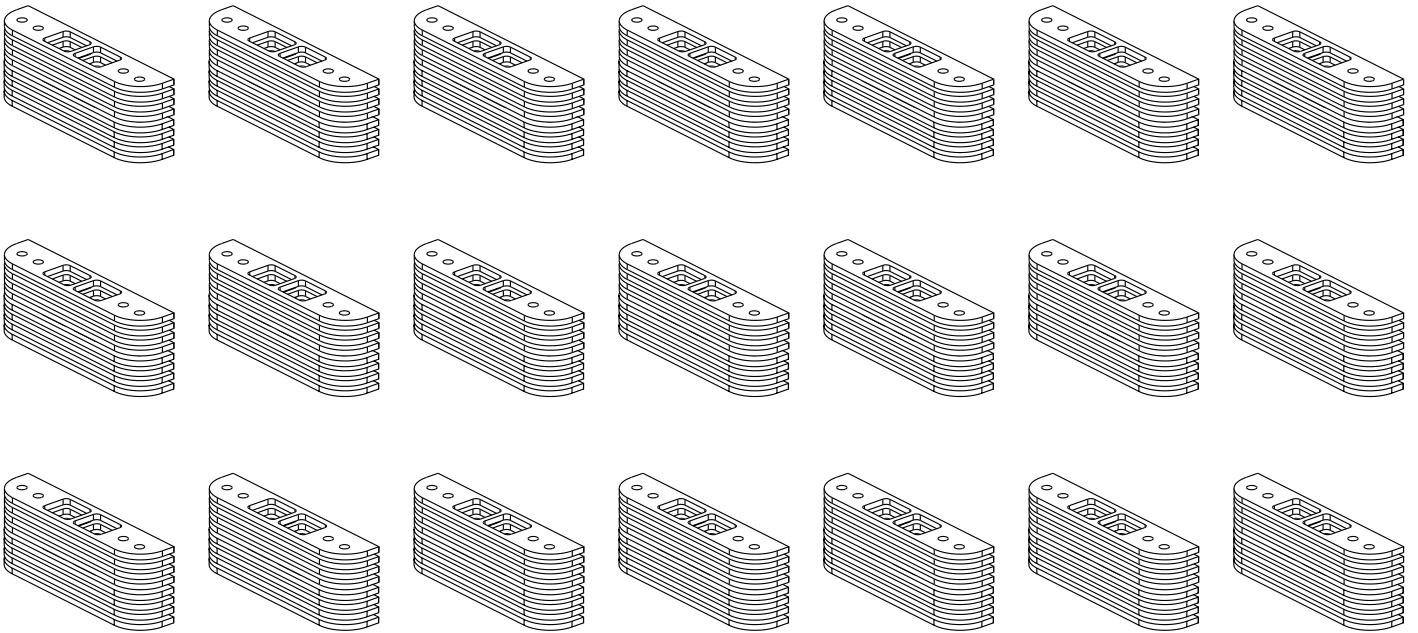
- total rises: 14
- value of rise 14: 21.5 cm
- value of rises from 13 to 3: 21.5 cm (9 spacers D)
- value of rises from 2 to 1: 21.0 cm (8 spacers D)

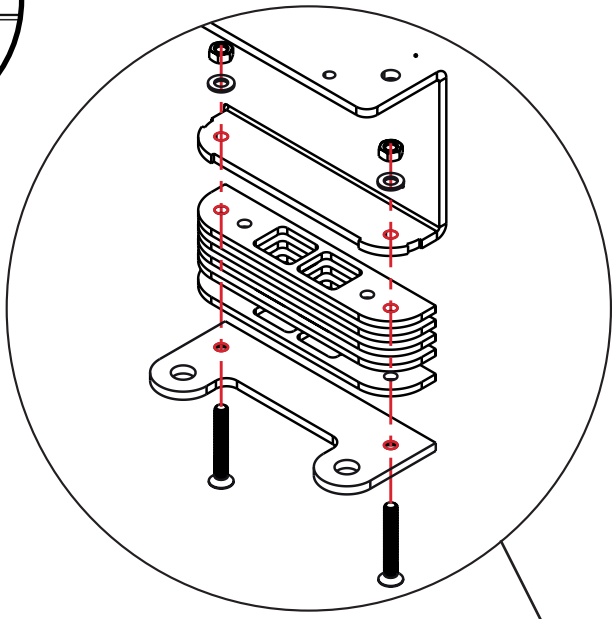
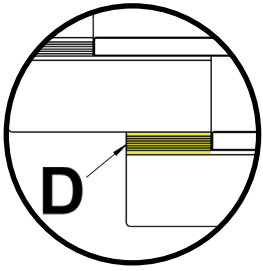


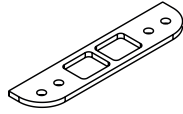
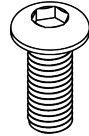
	Composity structure and steps installation manual. Configuration I - L	Code	Rev. 1	Date 29-07-2016
--	---	------	------------------	---------------------------

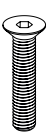
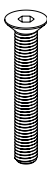
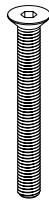
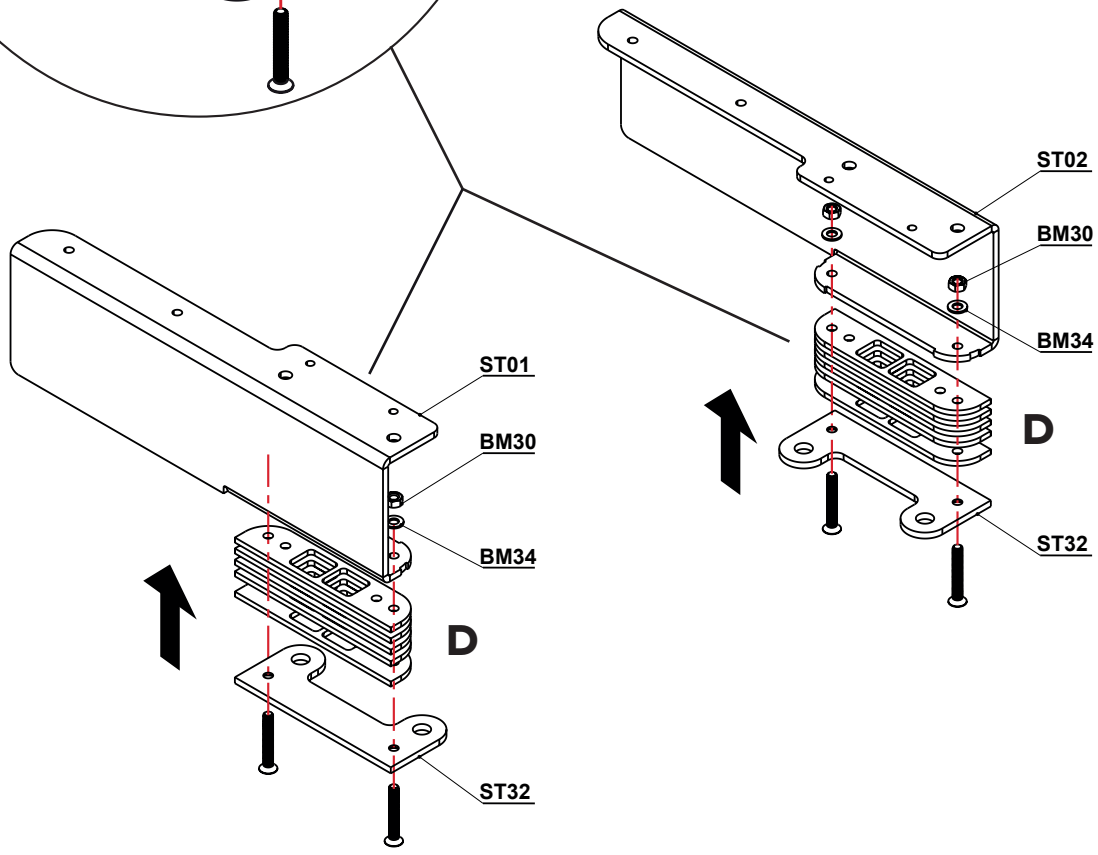


PC00





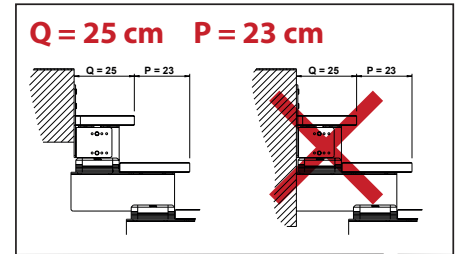
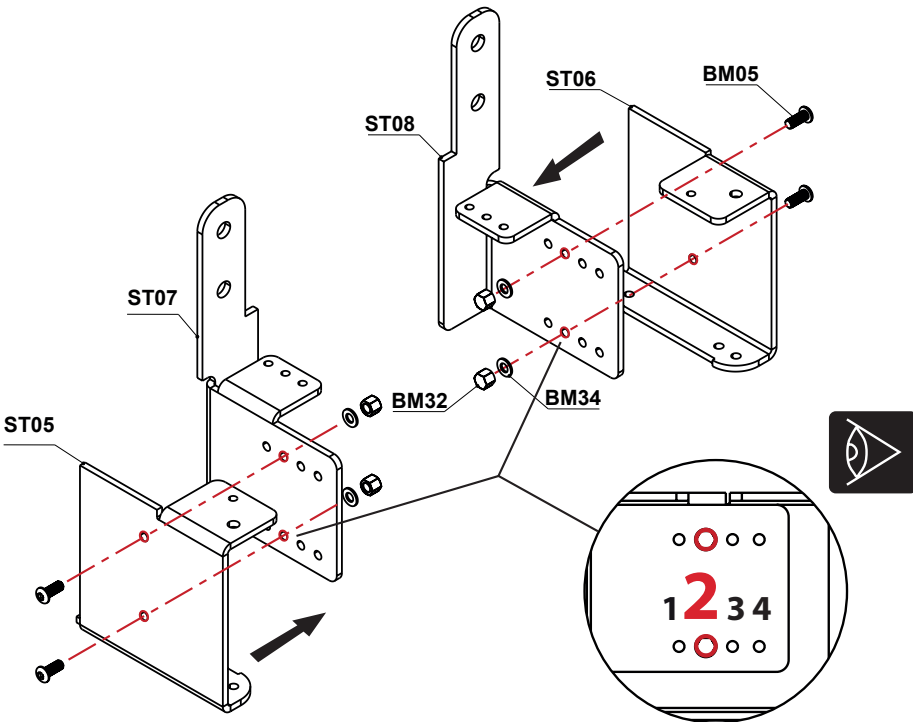
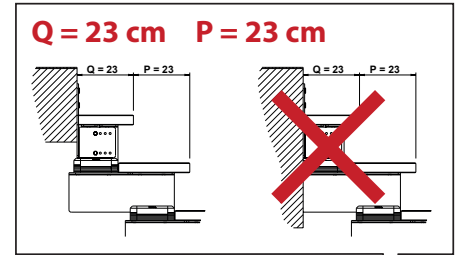
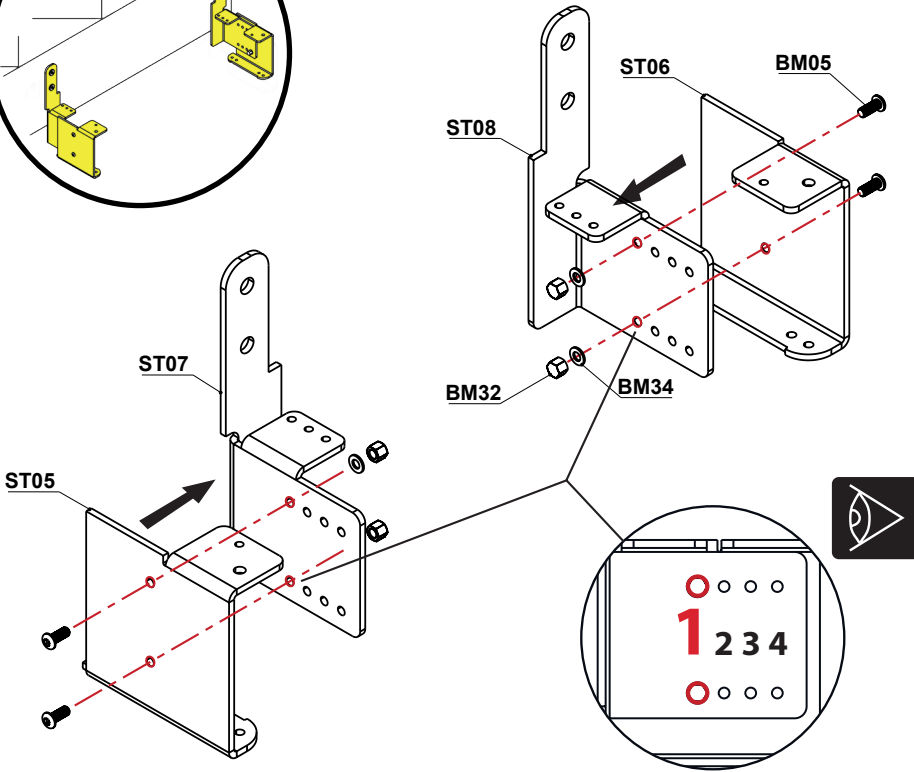
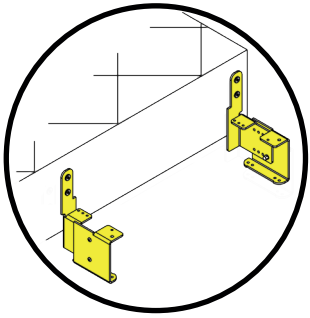
	
1 ÷ 4	BM08 M8X40
4 ÷ 7	BM07 M8X55
7 ÷ 10	BM06 M8X70



- | | | | | |
|--------------|--------------|--------------|---------------|--------------|
| BM 06 | BM 07 | BM 08 | BM 032 | BM 34 |
|--------------|--------------|--------------|---------------|--------------|



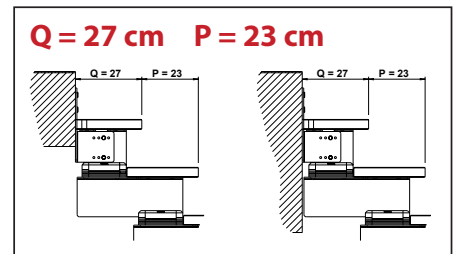
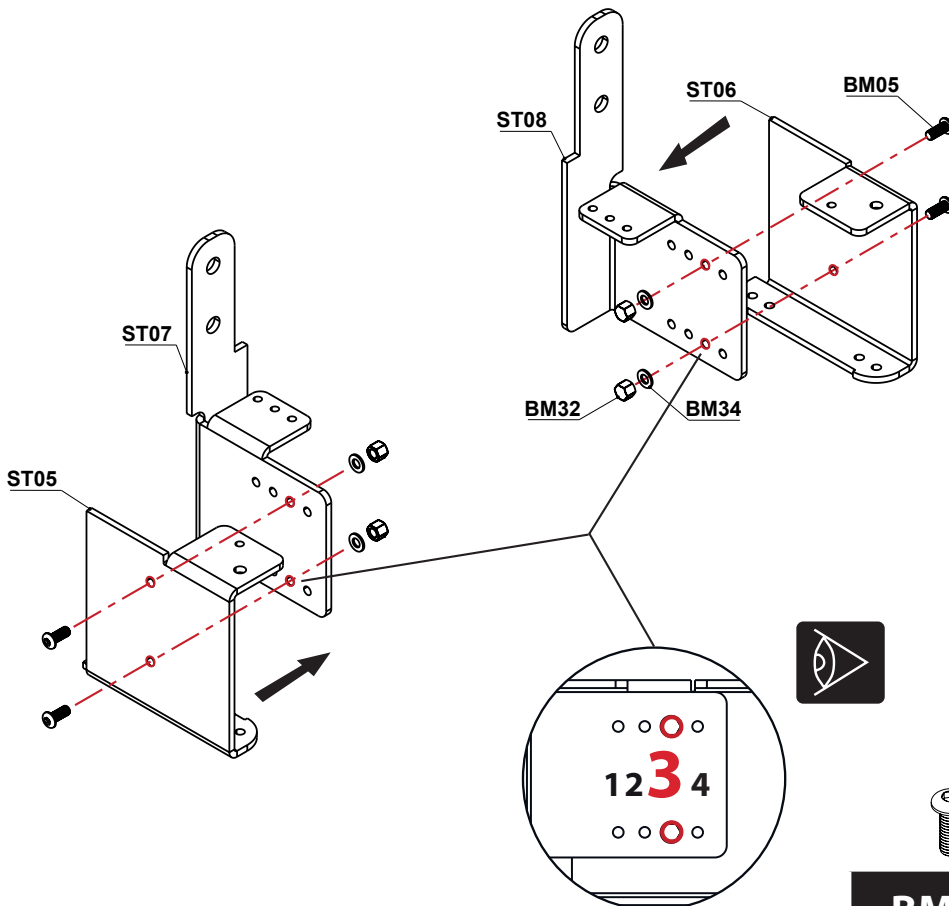
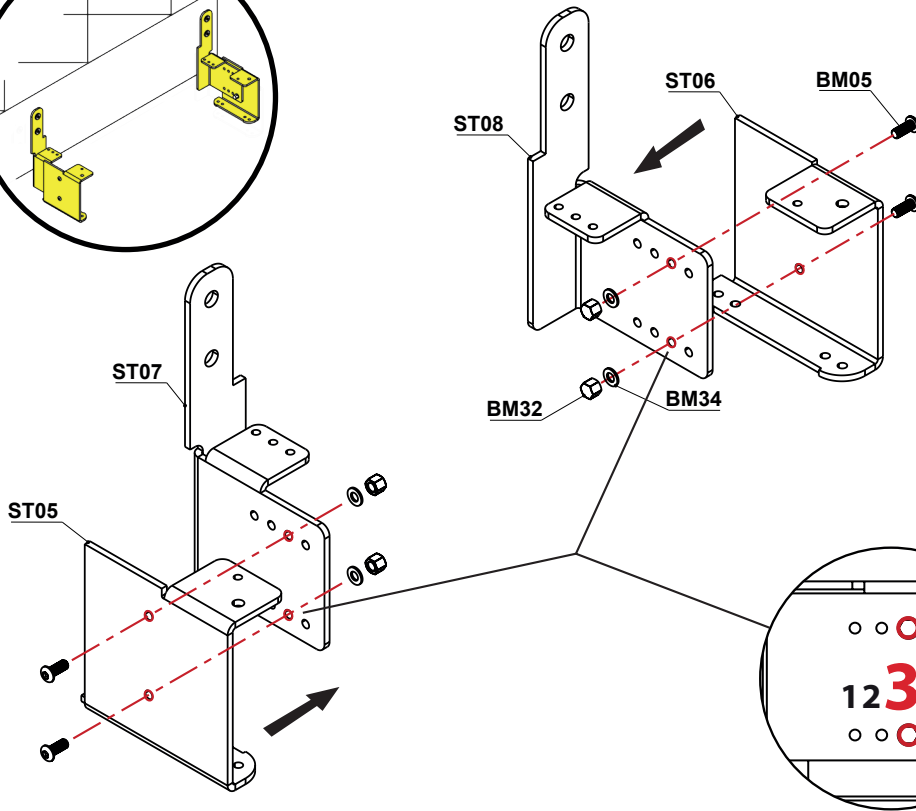
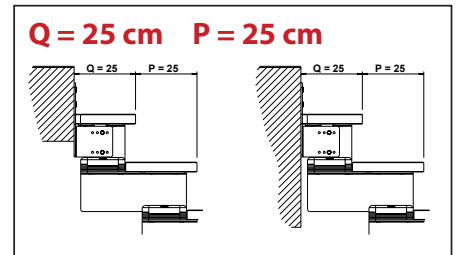
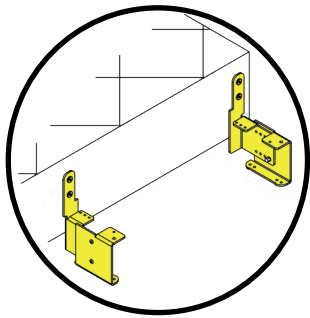
	Composity structure and steps installation manual. Configuration I - L	Code	Rev. 1	Date 29-07-2016
--	---	------	------------------	---------------------------



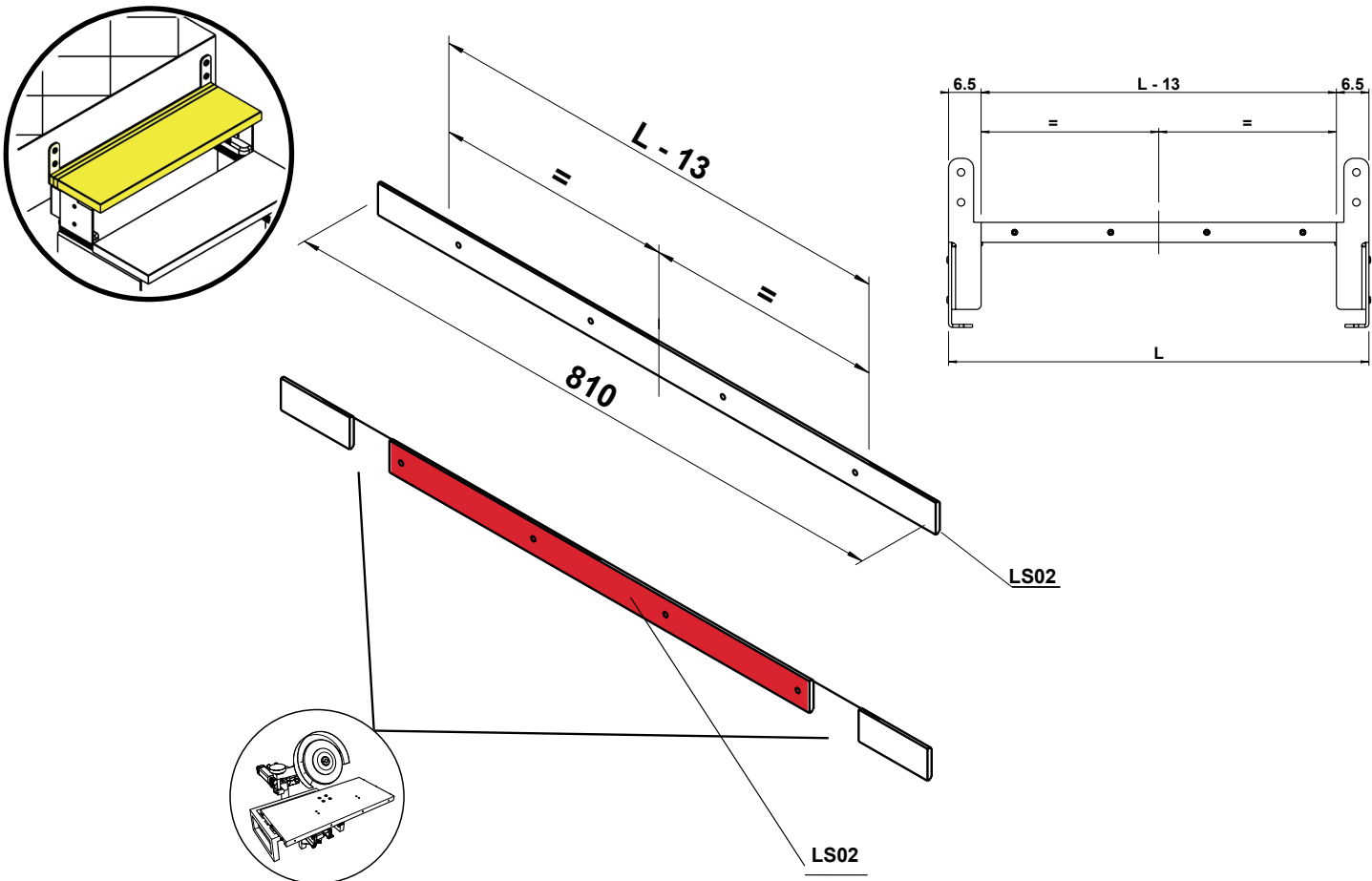
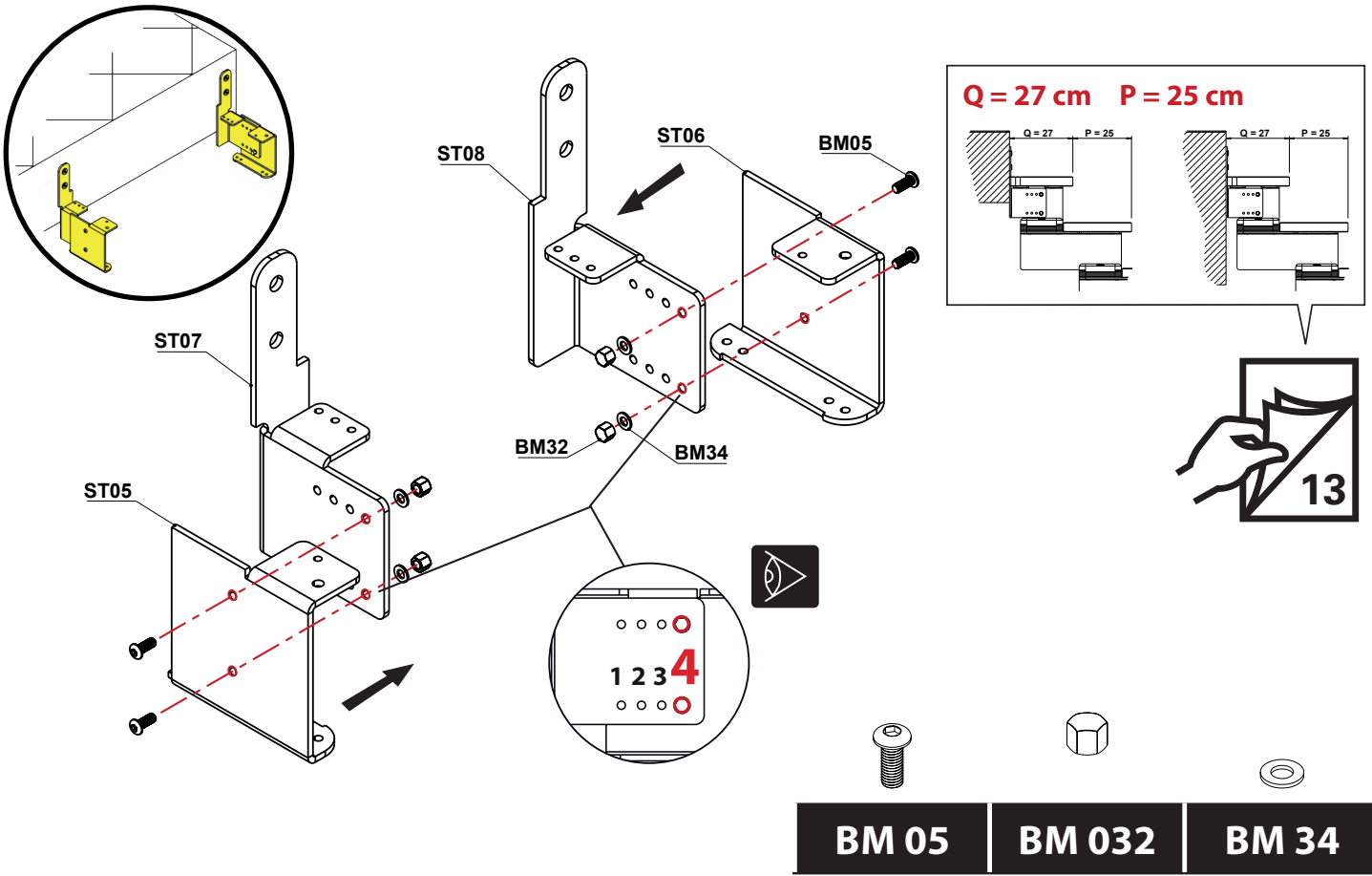
BM 05	BM 032	BM 34
--------------	---------------	--------------



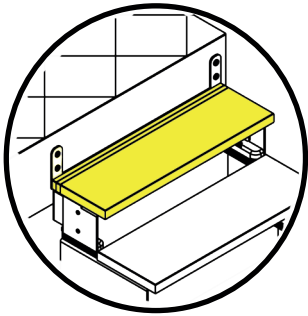
	Composity structure and steps installation manual. Configuration I - L	Code	Rev. 1	Date 29-07-2016
--	---	------	------------------	---------------------------



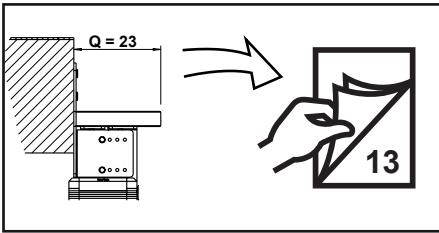
	Composity structure and steps installation manual. Configuration I - L	Code	Rev. 1	Date 29-07-2016
--	---	------	------------------	---------------------------



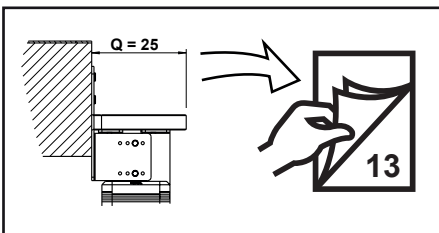
	Composity structure and steps installation manual. Configuration I - L	Code	Rev. 1	Date 29-07-2016
--	---	------	------------------	---------------------------



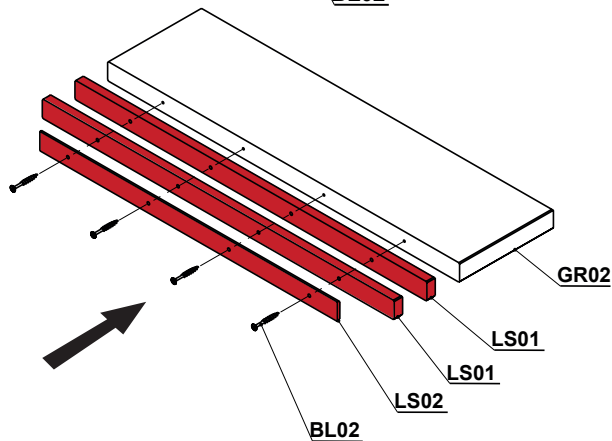
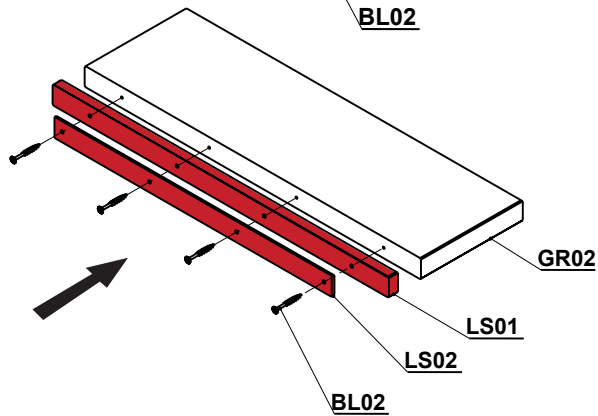
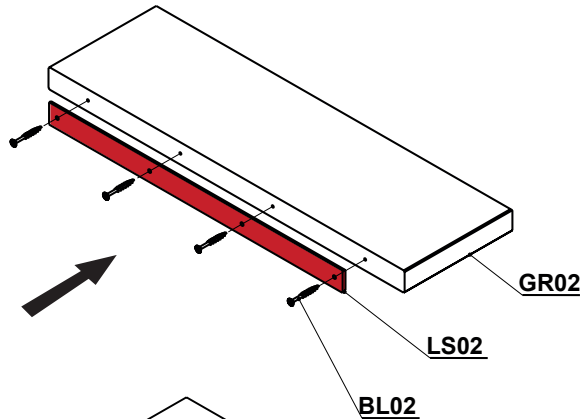
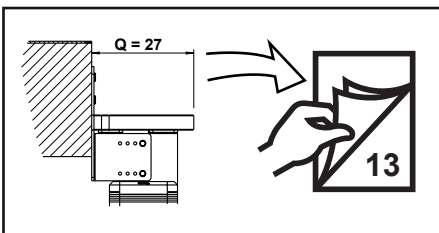
Q = 23 cm



Q = 25 cm



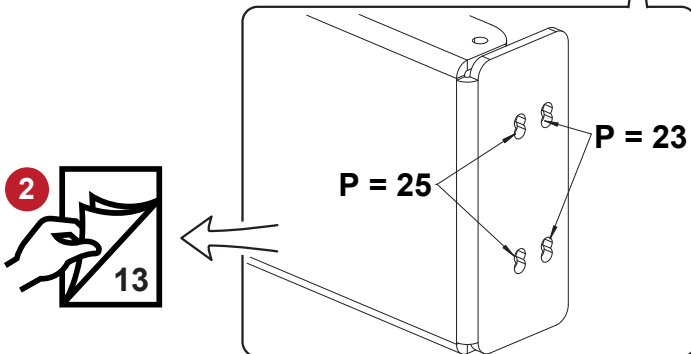
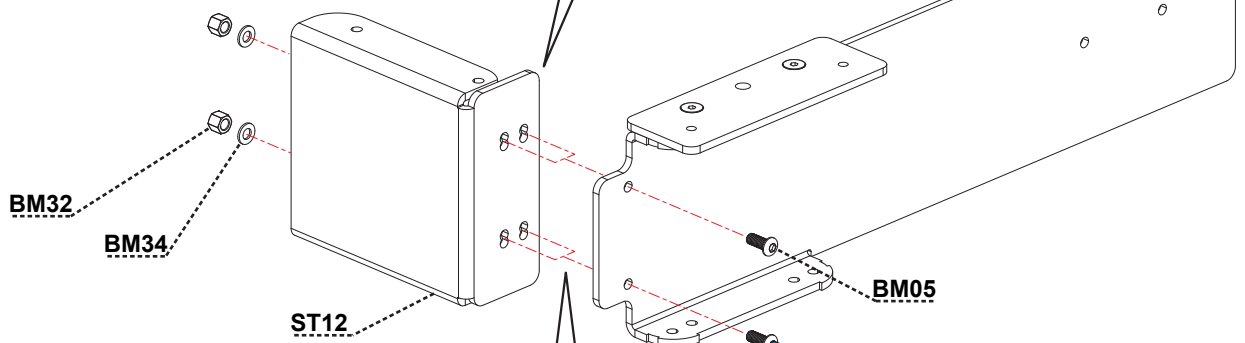
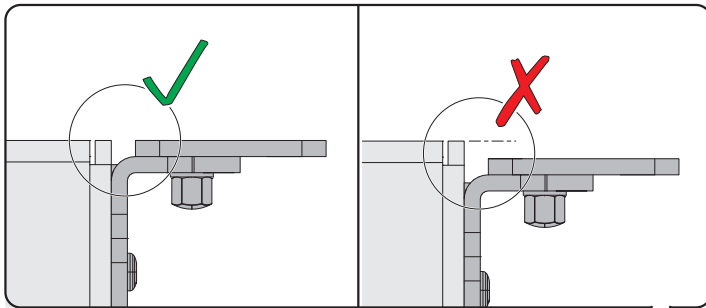
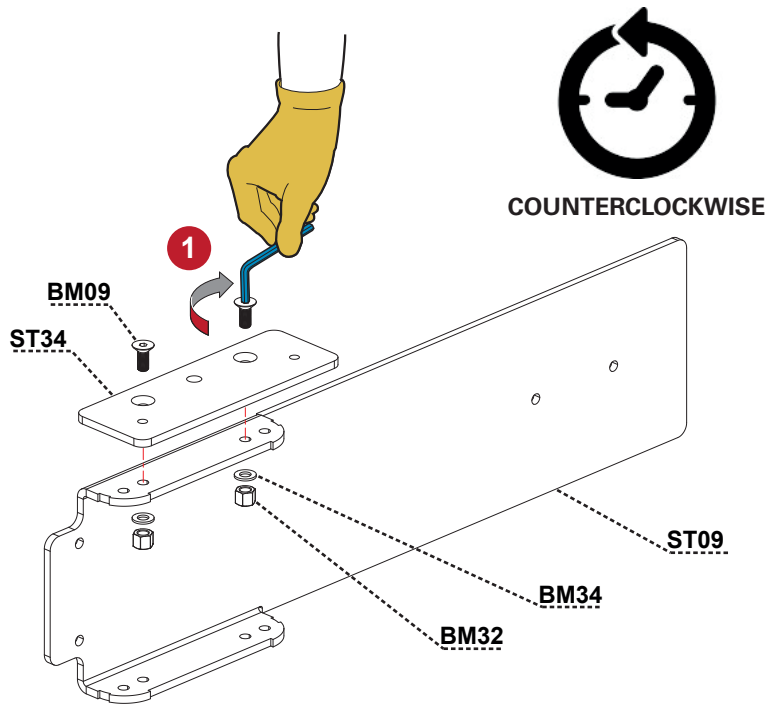
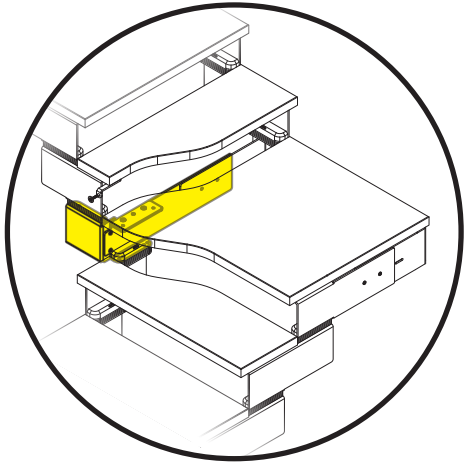
Q = 27 cm



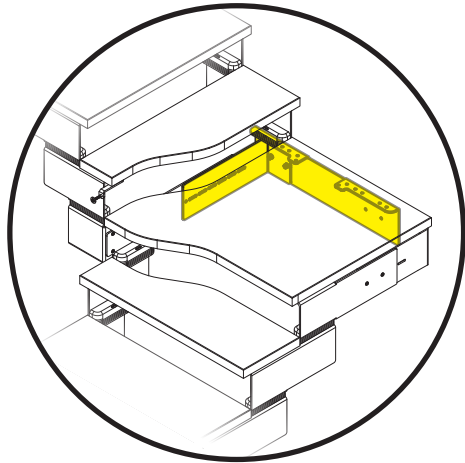
BL 02



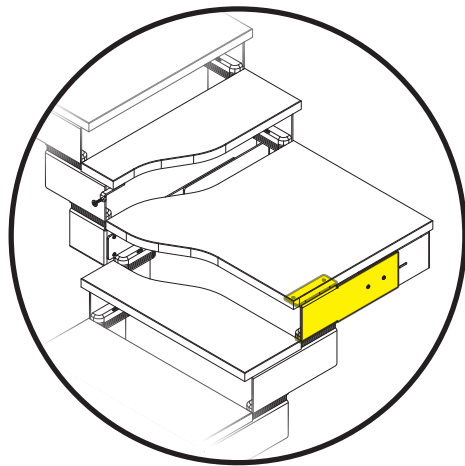
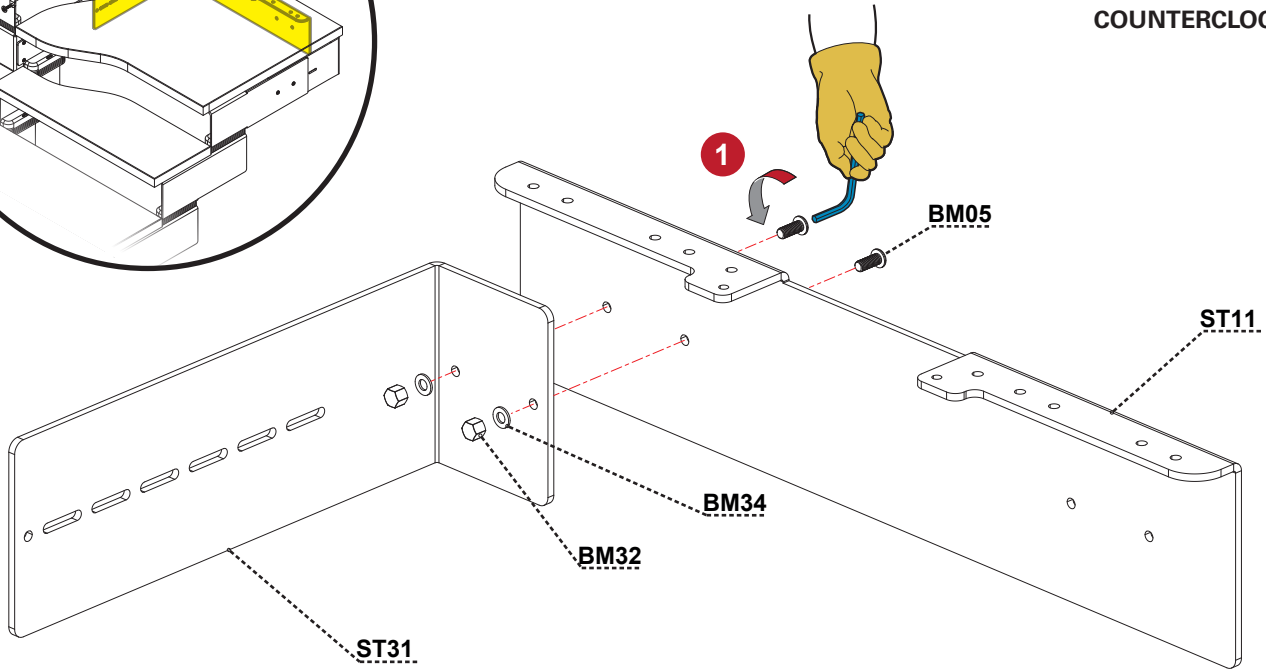
	Composity structure and steps installation manual. Configuration I - L	Code	Rev. 1	Date 29-07-2016
--	---	------	------------------	---------------------------



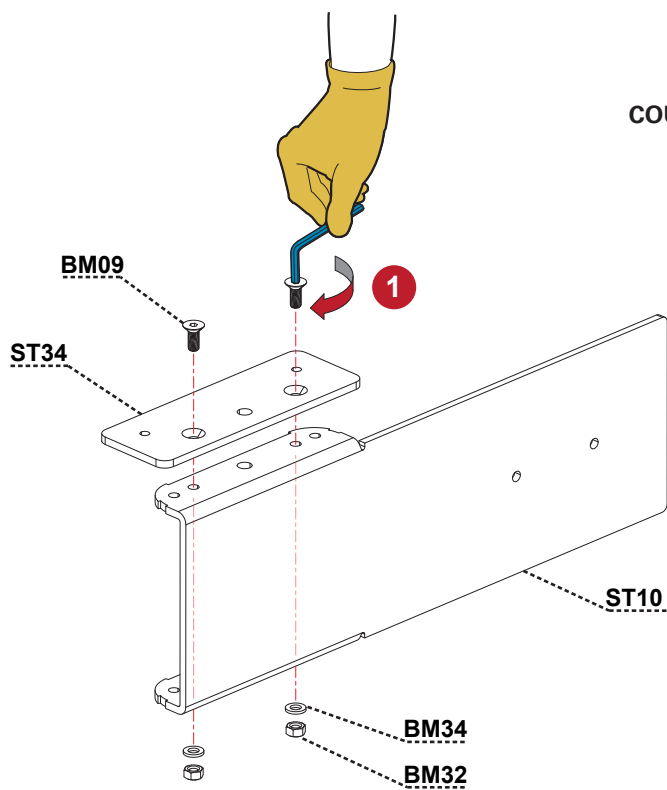
	Composity structure and steps installation manual. Configuration I - L	Code	Rev. 1	Date 29-07-2016
--	---	------	------------------	---------------------------



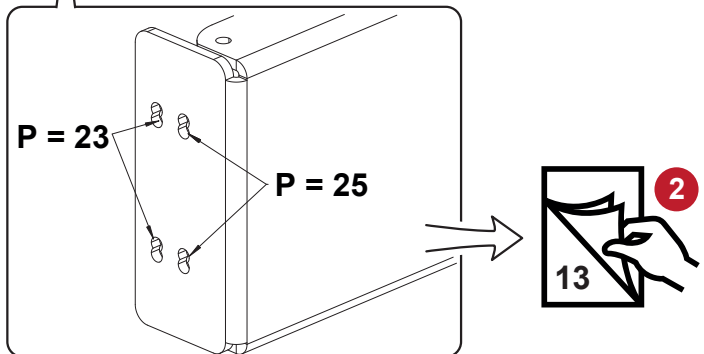
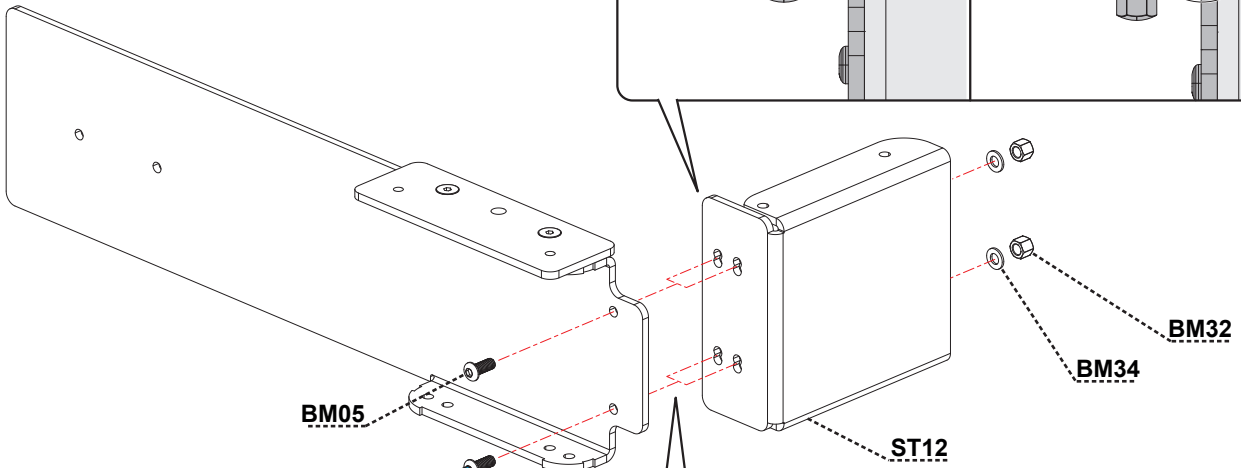
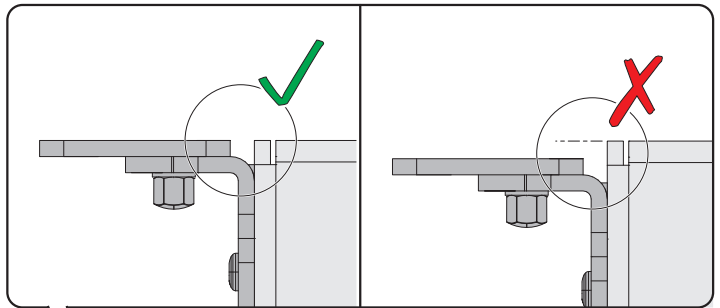
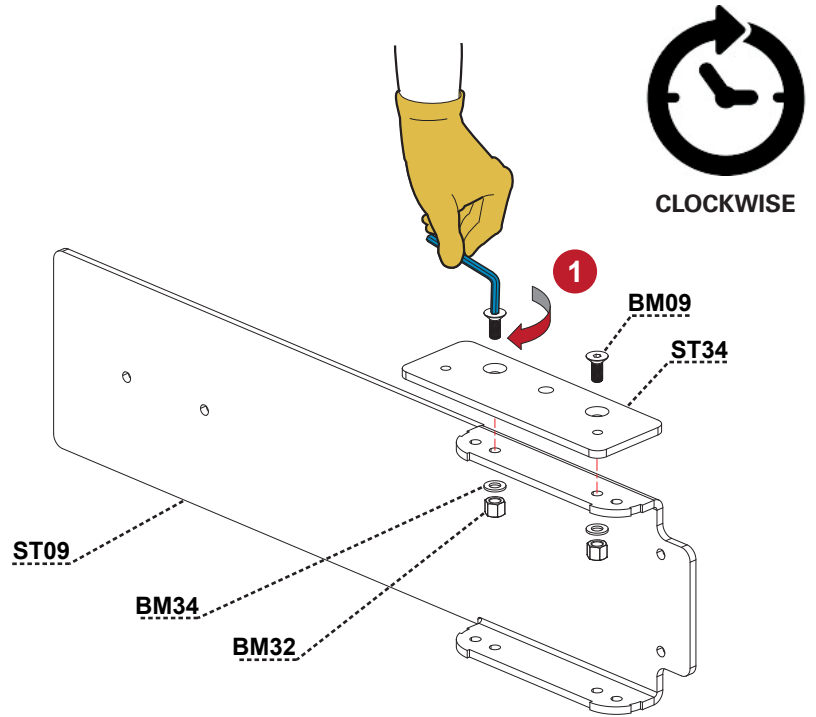
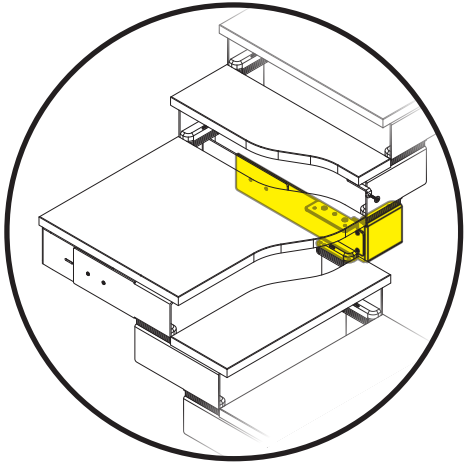
COUNTERCLOCKWISE



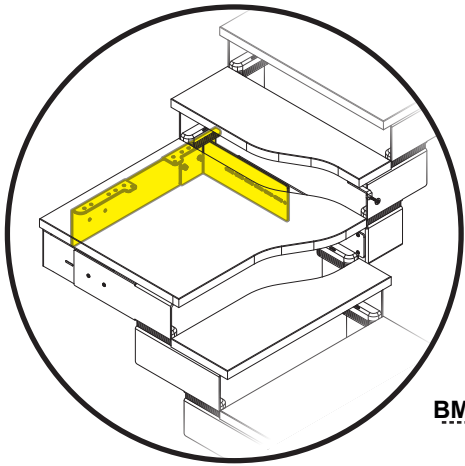
COUNTERCLOCKWISE



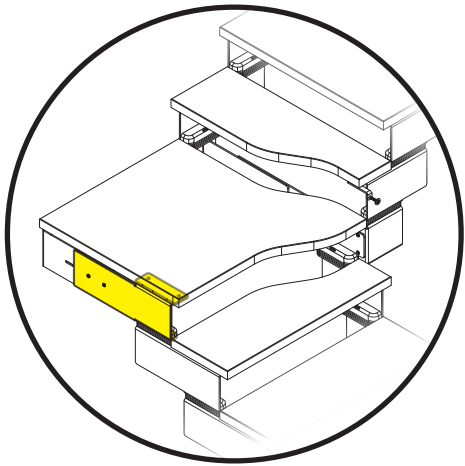
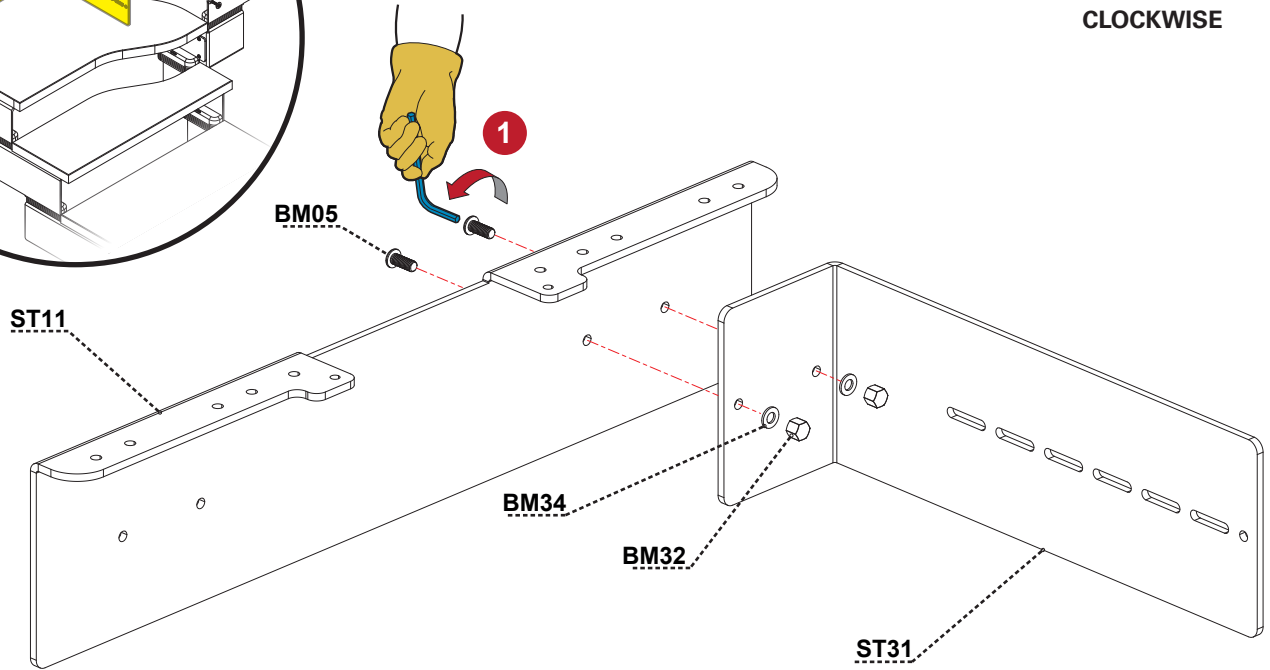
	Composity structure and steps installation manual. Configuration I - L	Code	Rev. 1	Date 29-07-2016
--	---	------	------------------	---------------------------



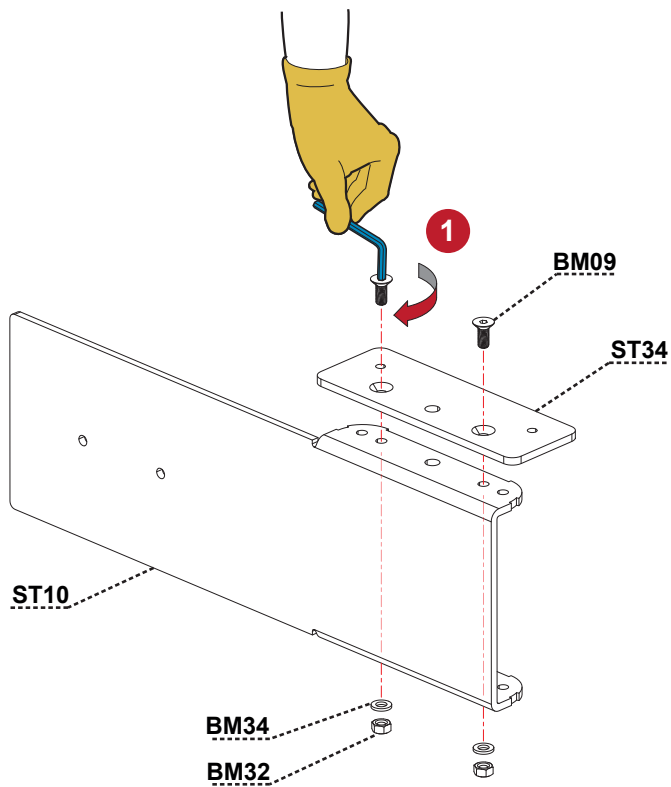
	Composity structure and steps installation manual. Configuration I - L	Code	Rev. 1	Date 29-07-2016
--	---	------	------------------	---------------------------



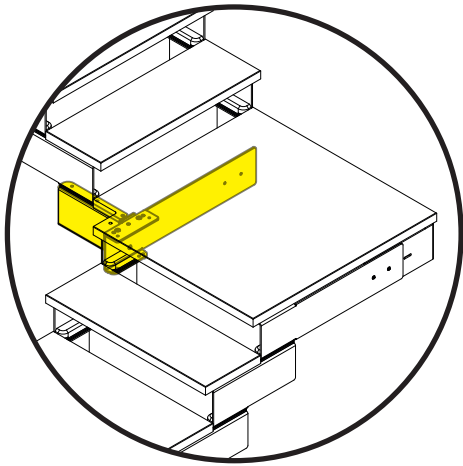
CLOCKWISE



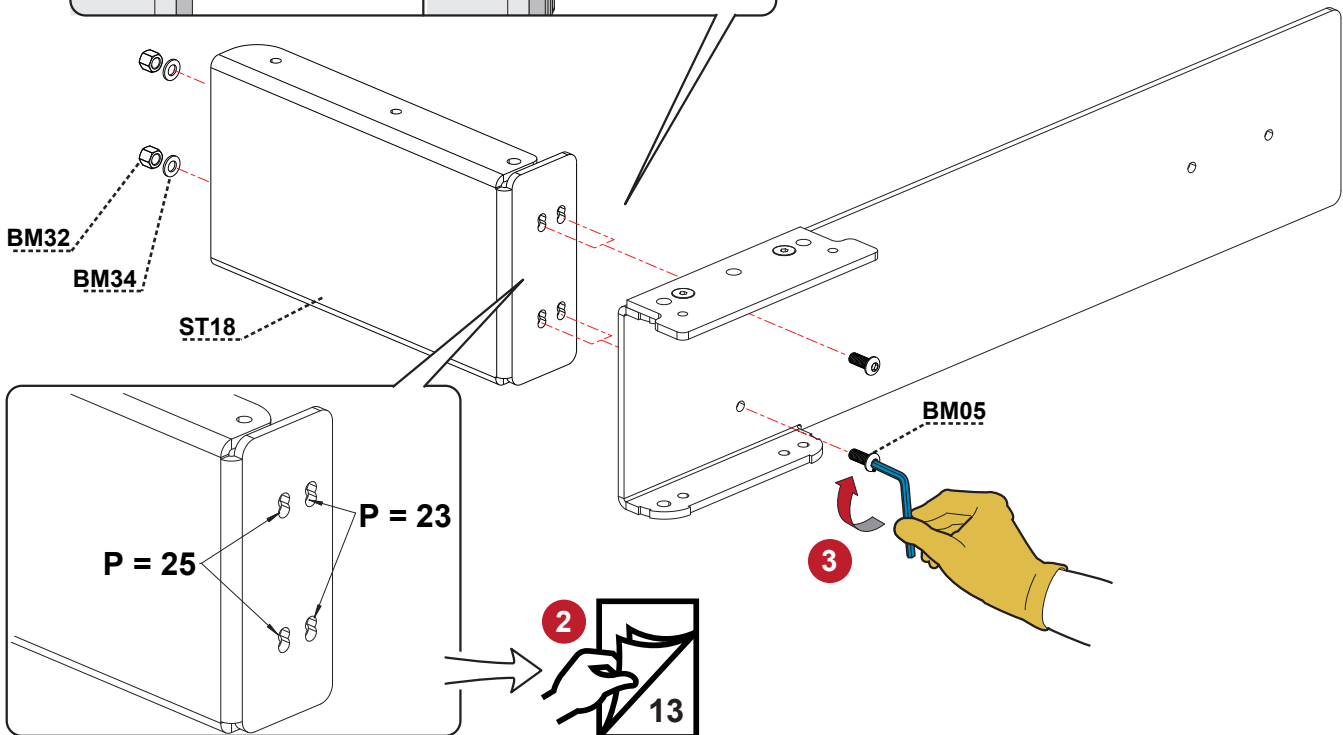
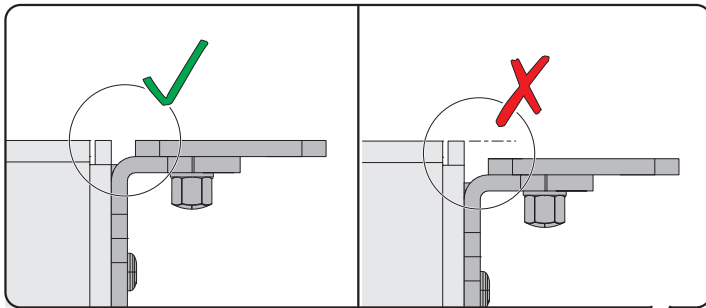
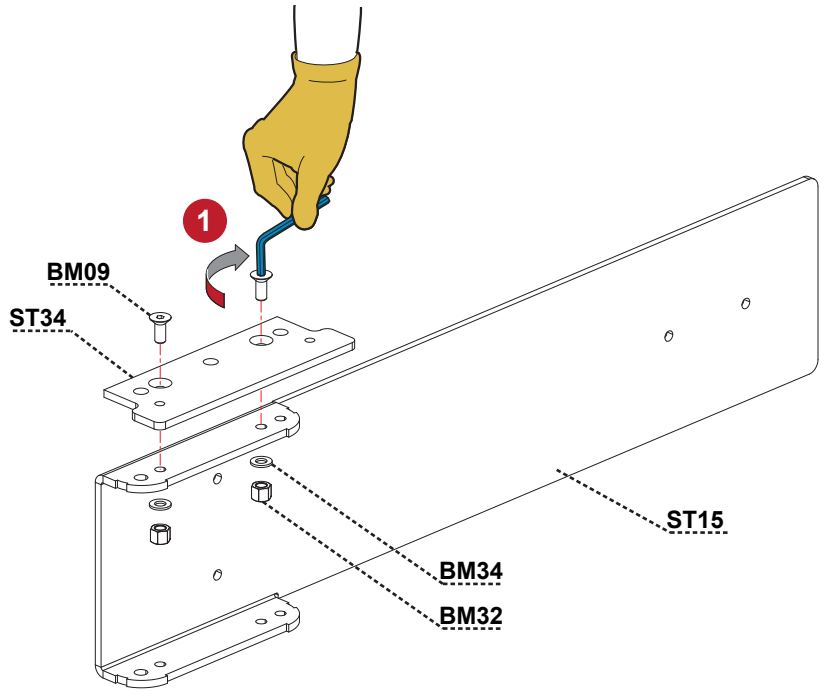
CLOCKWISE



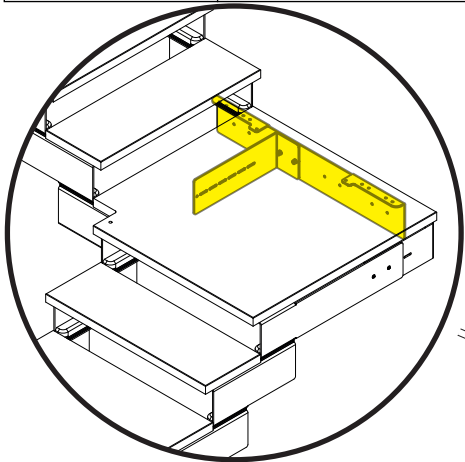
	Composity structure and steps installation manual. Configuration I - L	Code	Rev. 1	Date 29-07-2016
--	---	------	------------------	---------------------------



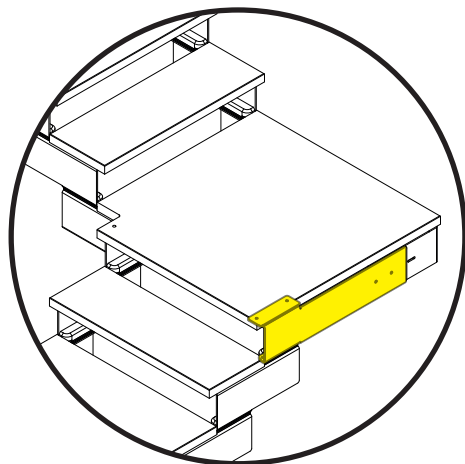
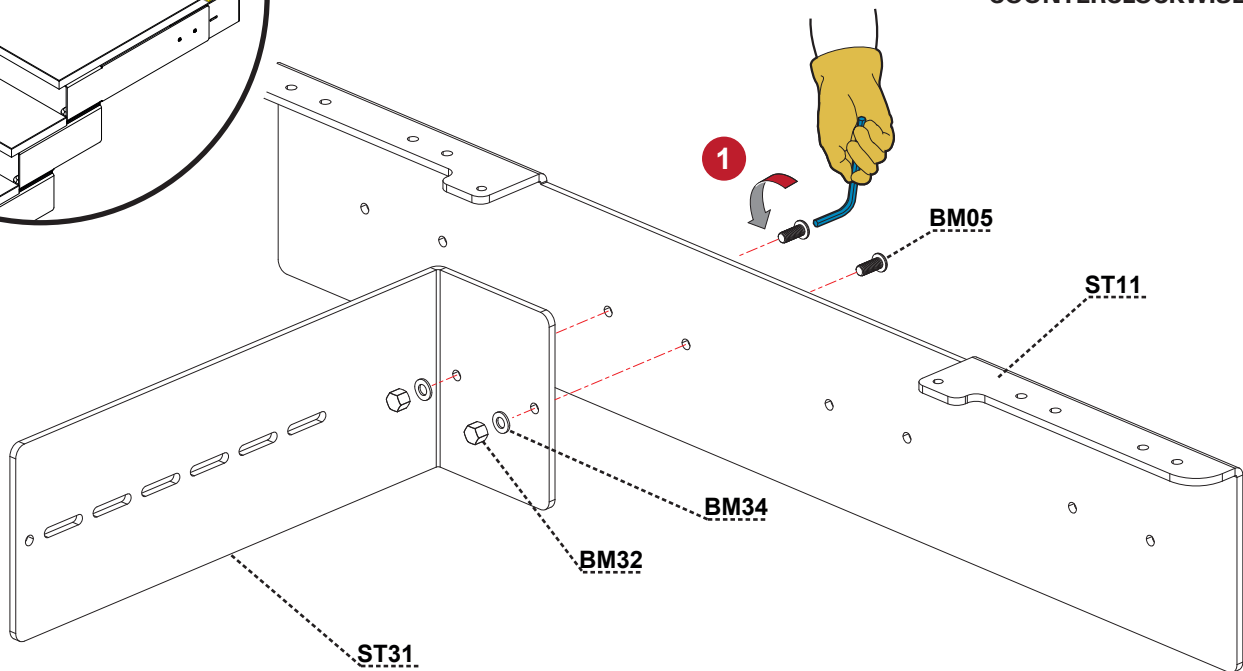
COUNTERCLOCKWISE



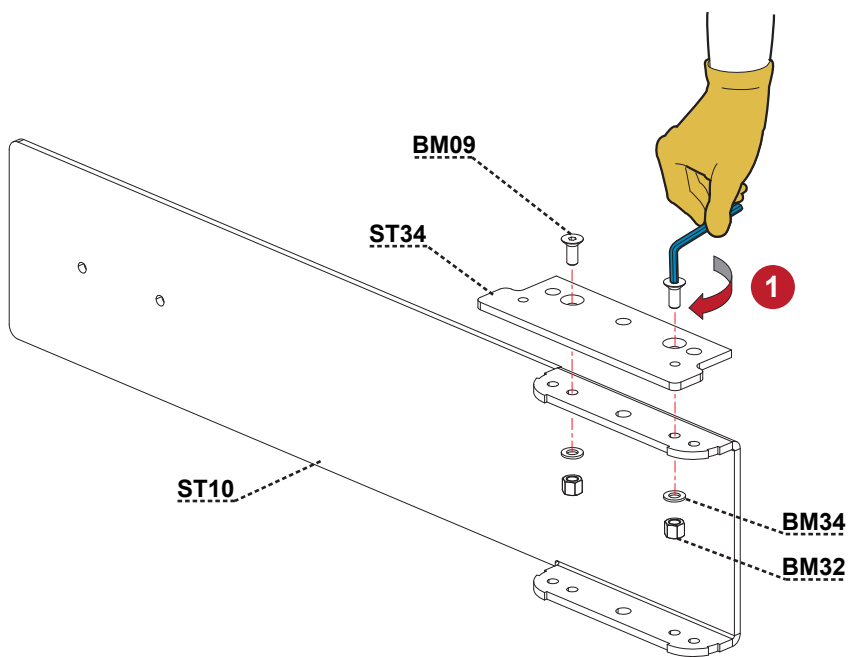
	Composity structure and steps installation manual. Configuration I - L	Code	Rev. 1	Date 29-07-2016
--	---	------	------------------	---------------------------



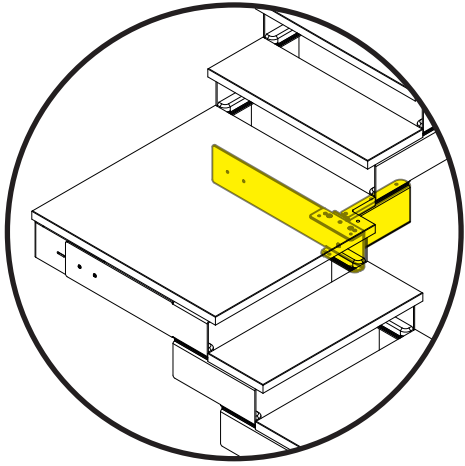
COUNTERCLOCKWISE



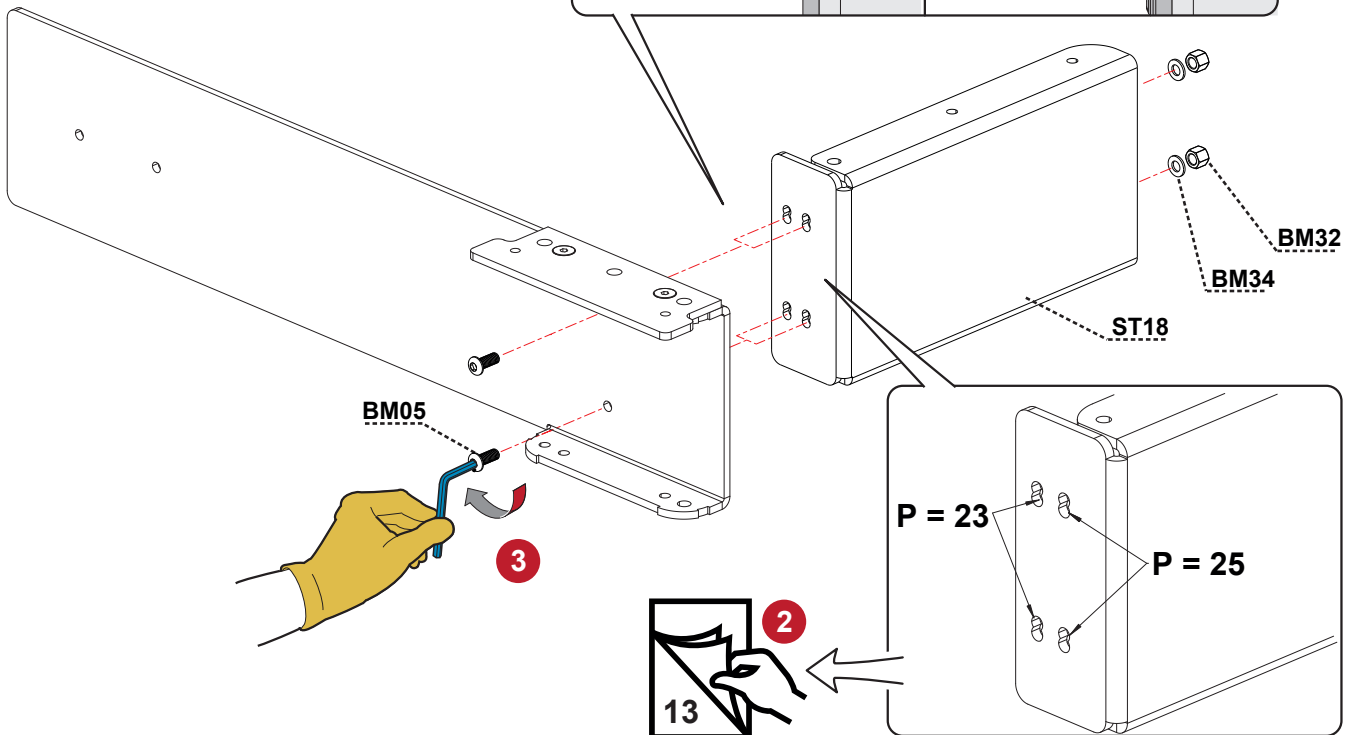
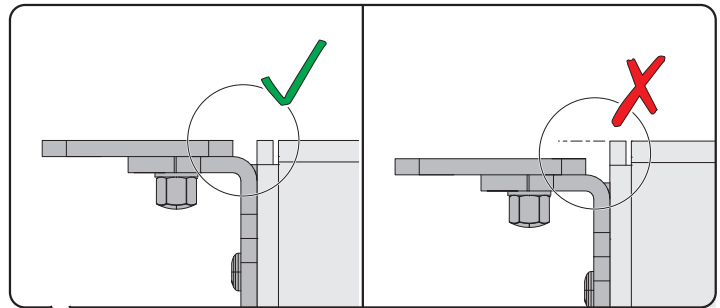
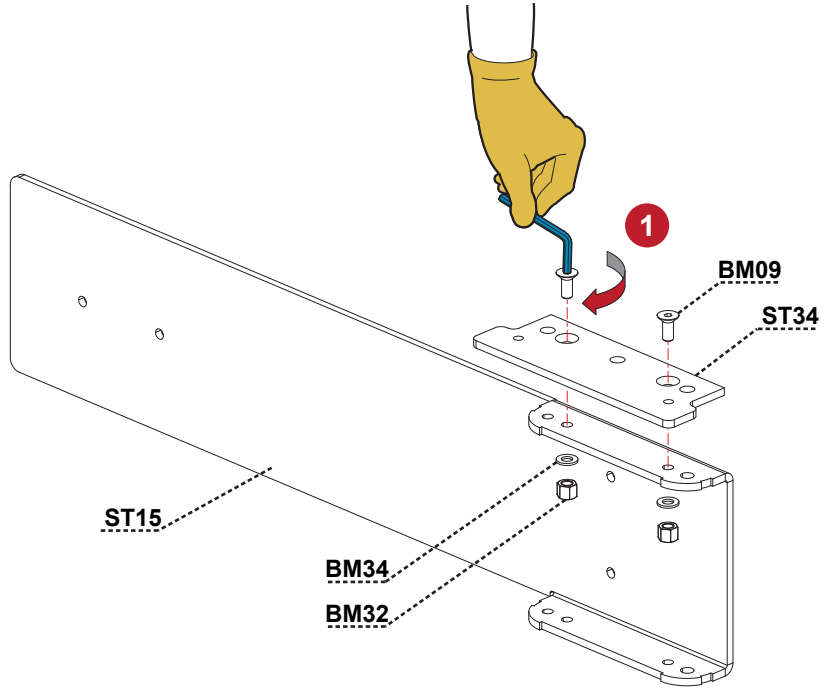
COUNTERCLOCKWISE



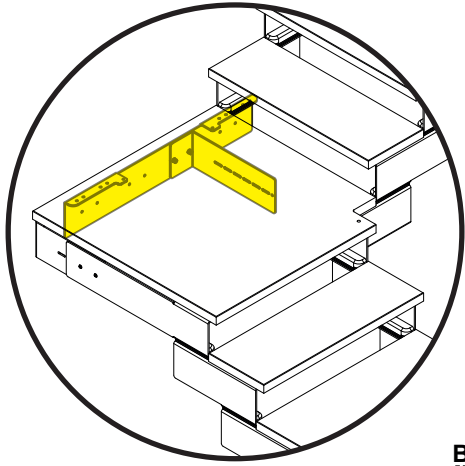
	Composity structure and steps installation manual. Configuration I - L	Code	Rev. 1	Date 29-07-2016
--	---	------	------------------	---------------------------



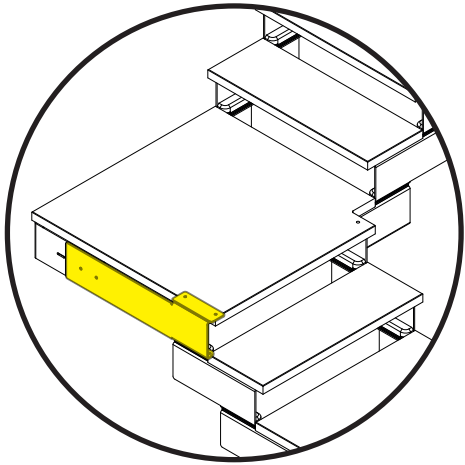
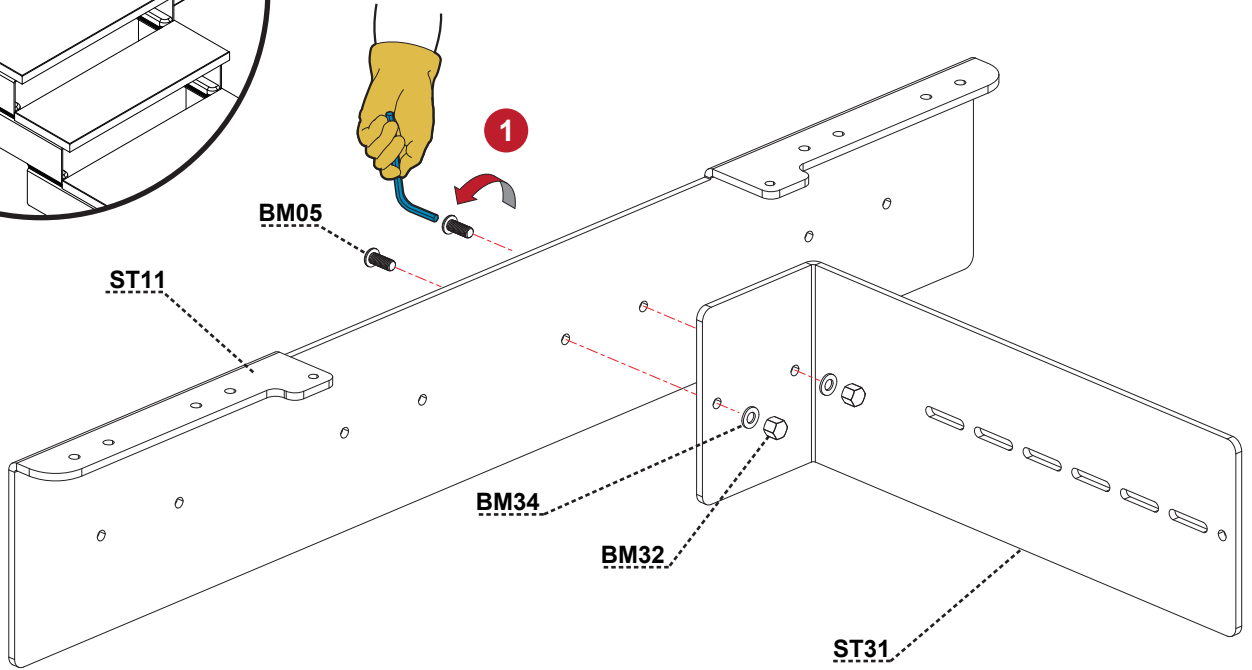
CLOCKWISE



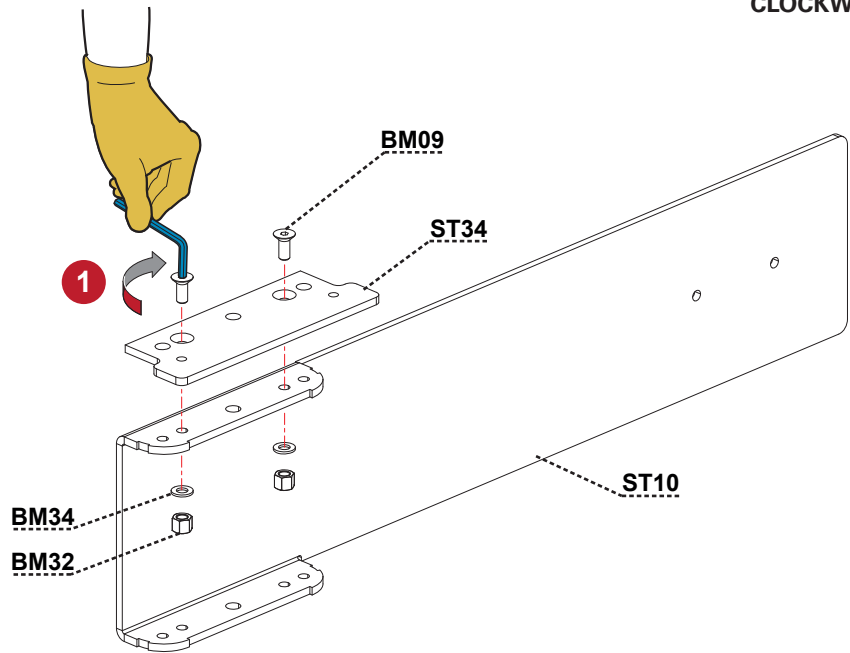
	Composity structure and steps installation manual. Configuration I - L	Code	Rev. 1	Date 29-07-2016
--	---	------	------------------	---------------------------



CLOCKWISE



CLOCKWISE

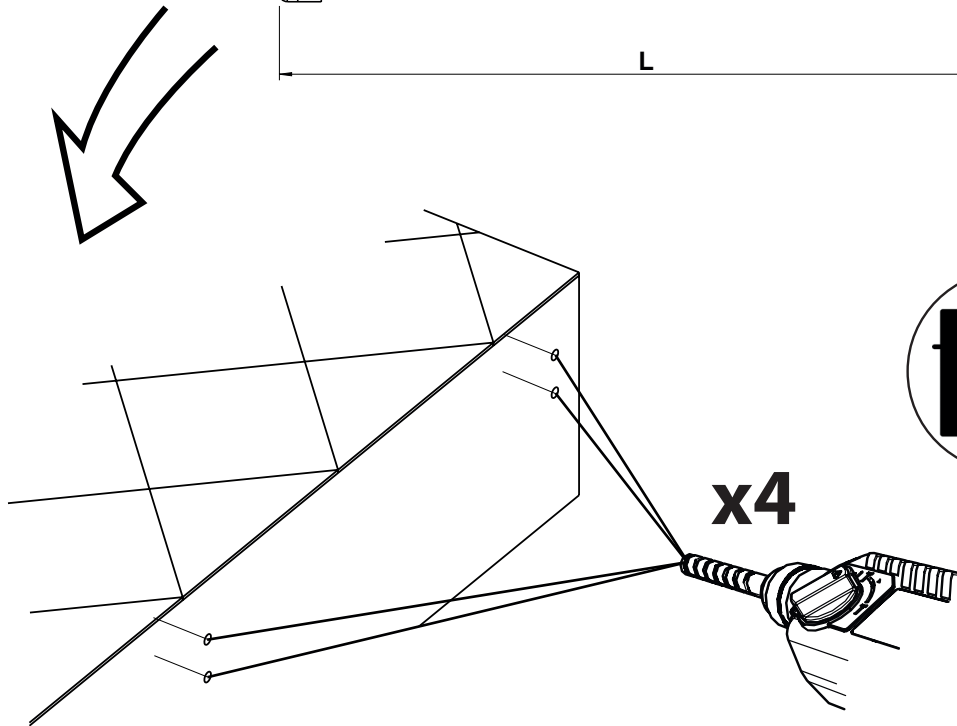
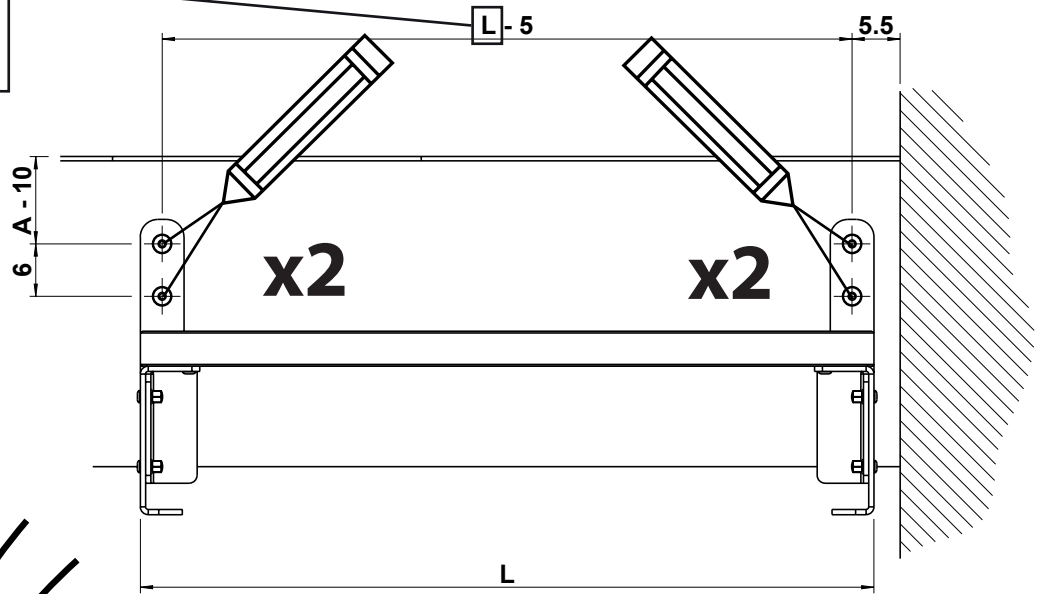
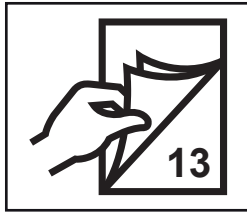
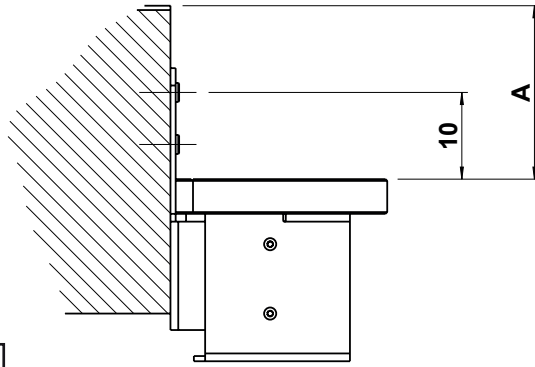
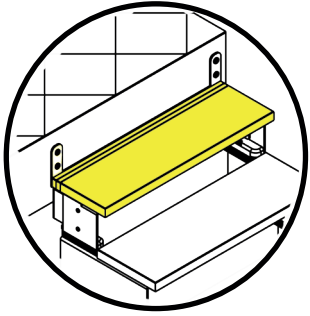


3 . 1

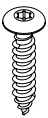
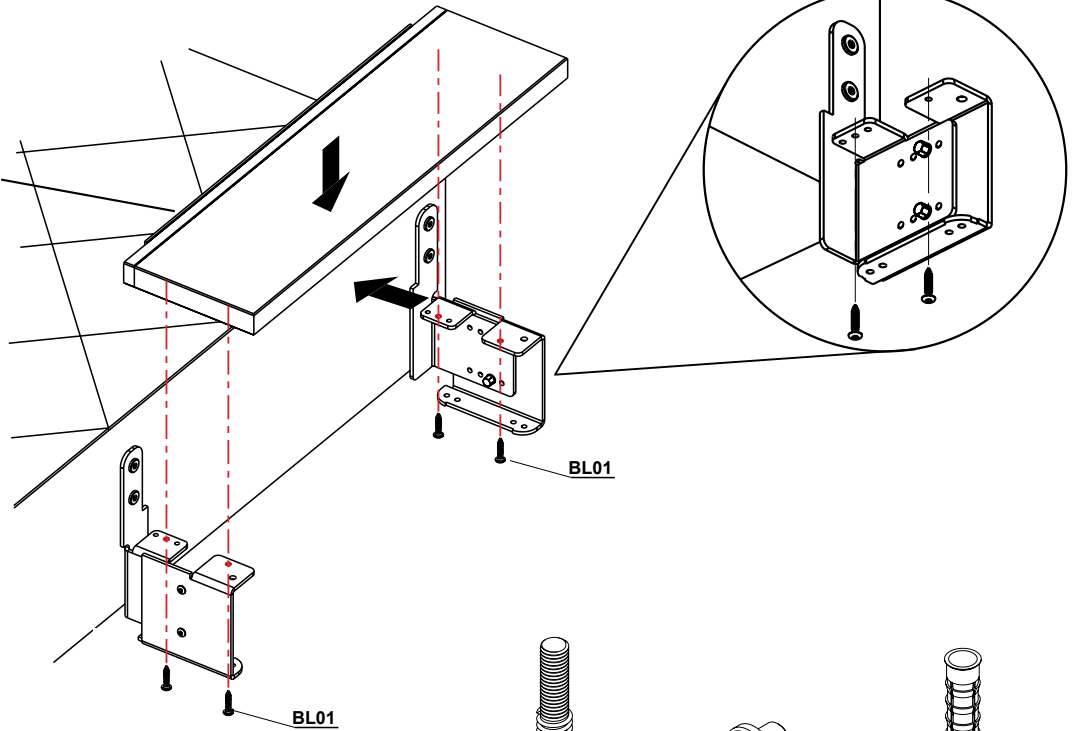
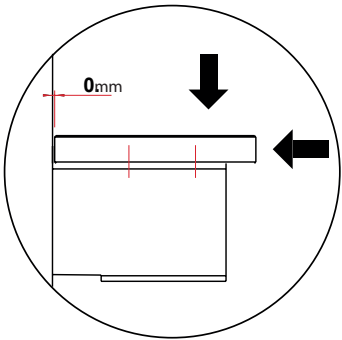
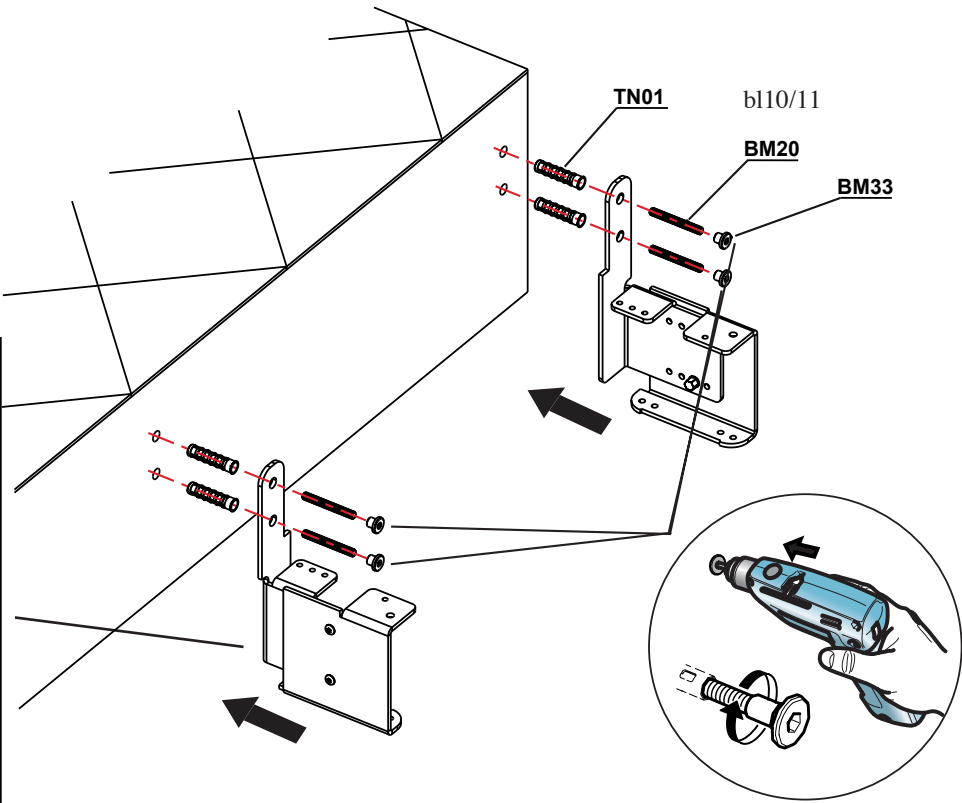
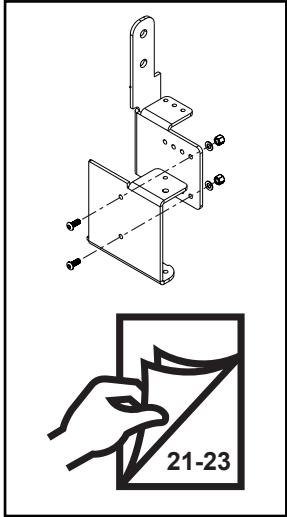
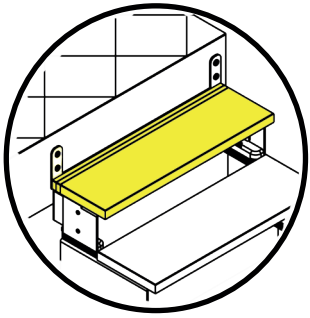
ASSEMBLY



	Composity structure and steps installation manual. Configuration I - L	Code	Rev. 1	Date 29-07-2016
--	---	------	------------------	---------------------------



	Composity structure and steps installation manual. Configuration I - L	Code	Rev. 1	Date 29-07-2016
--	---	------	------------------	---------------------------



BL 01



BL 11

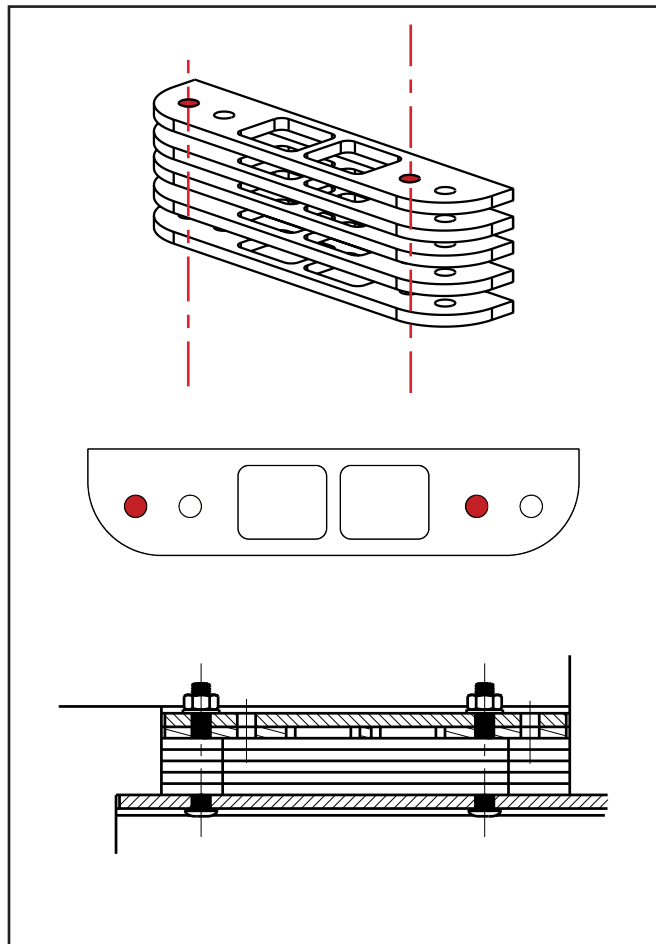
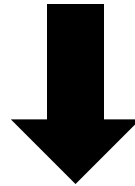
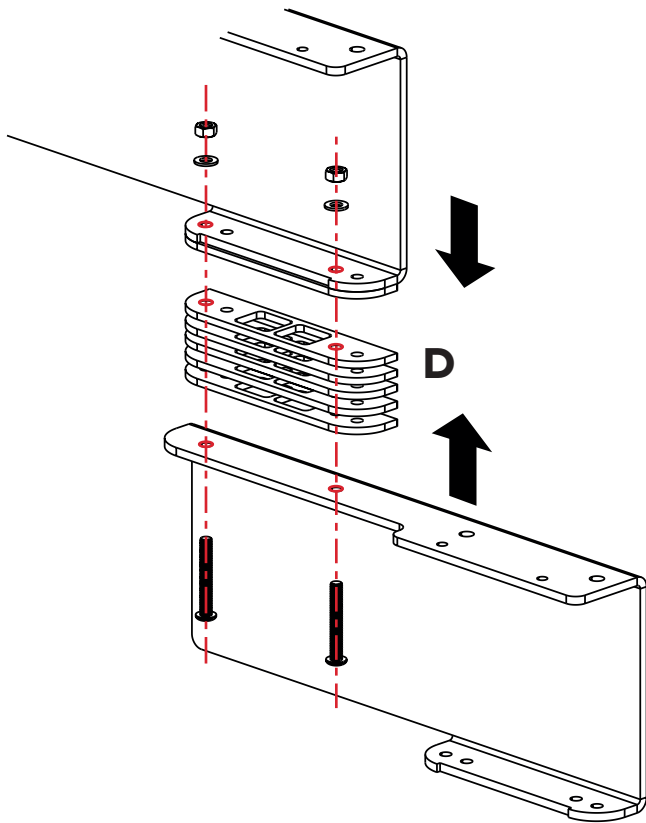
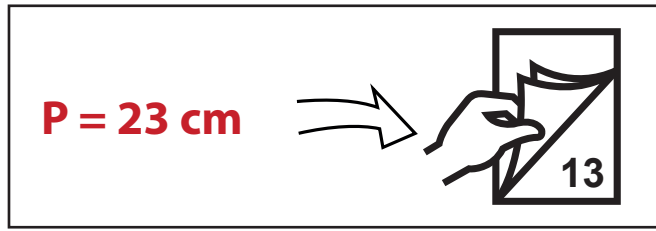
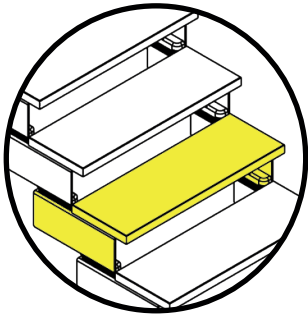


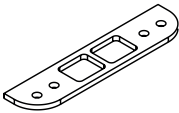
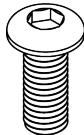
BM 33



TN 01

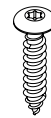
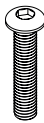
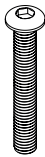
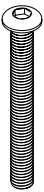
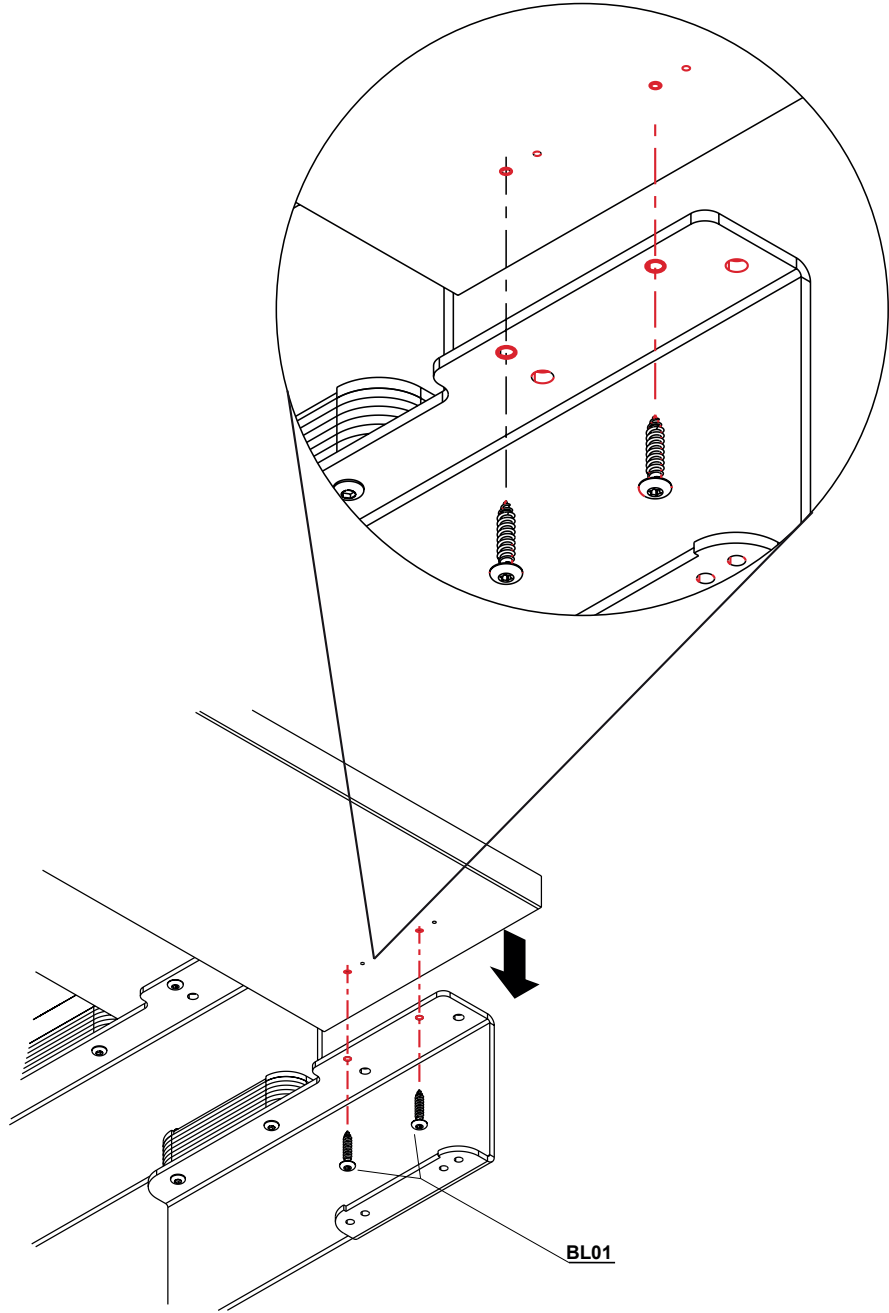
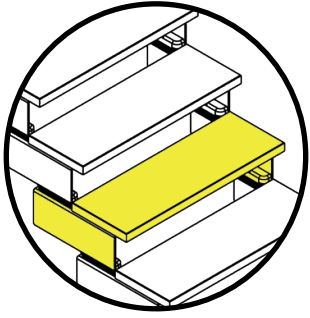




 D	
1 ÷ 4	BM04 M8X40
4 ÷ 7	BM02 M8X55
7 ÷ 10	BM01 M8X70



	Composity structure and steps installation manual. Configuration I - L	Code	Rev. 1	Date 29-07-2016
--	---	------	------------------	---------------------------



BM 01

BM 02

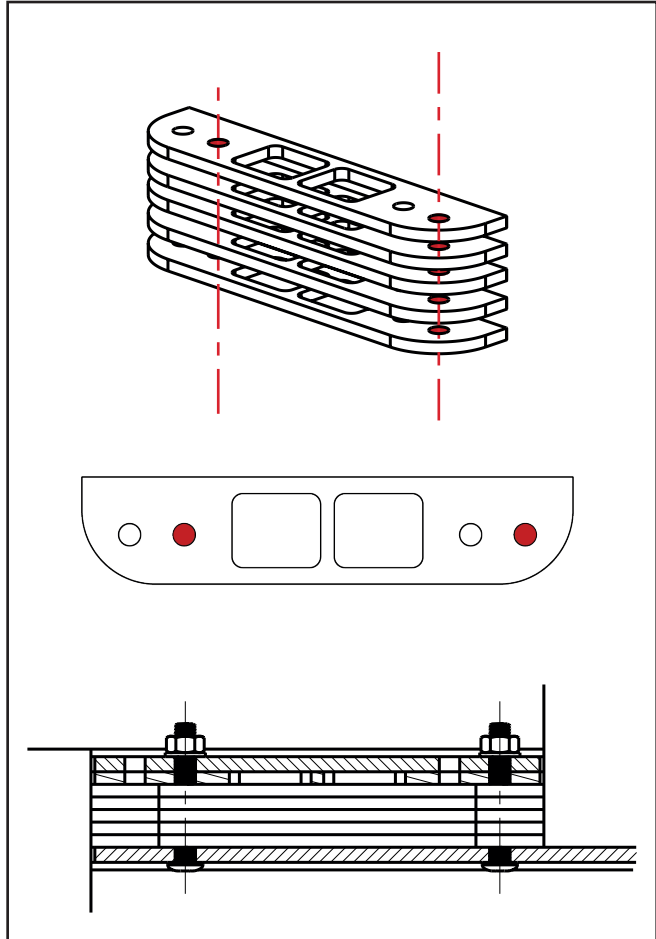
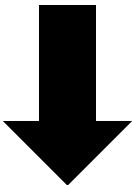
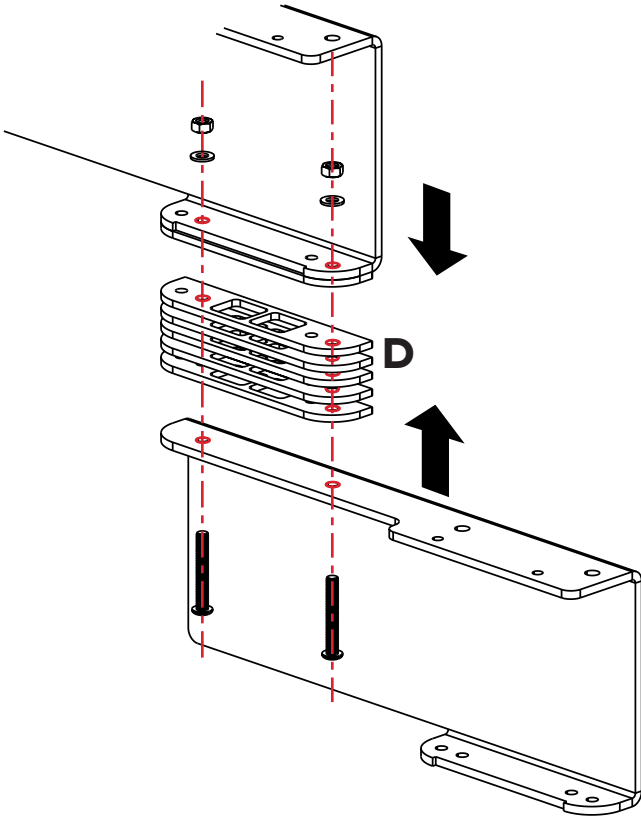
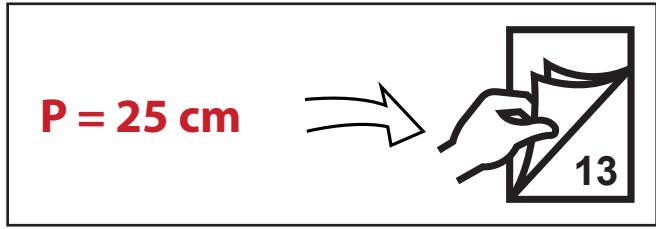
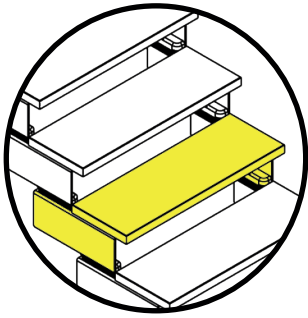
BM 04

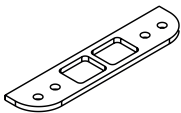
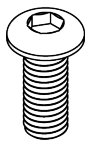
BM 032

BM 34

BL 01

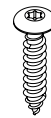
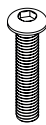
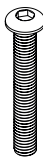
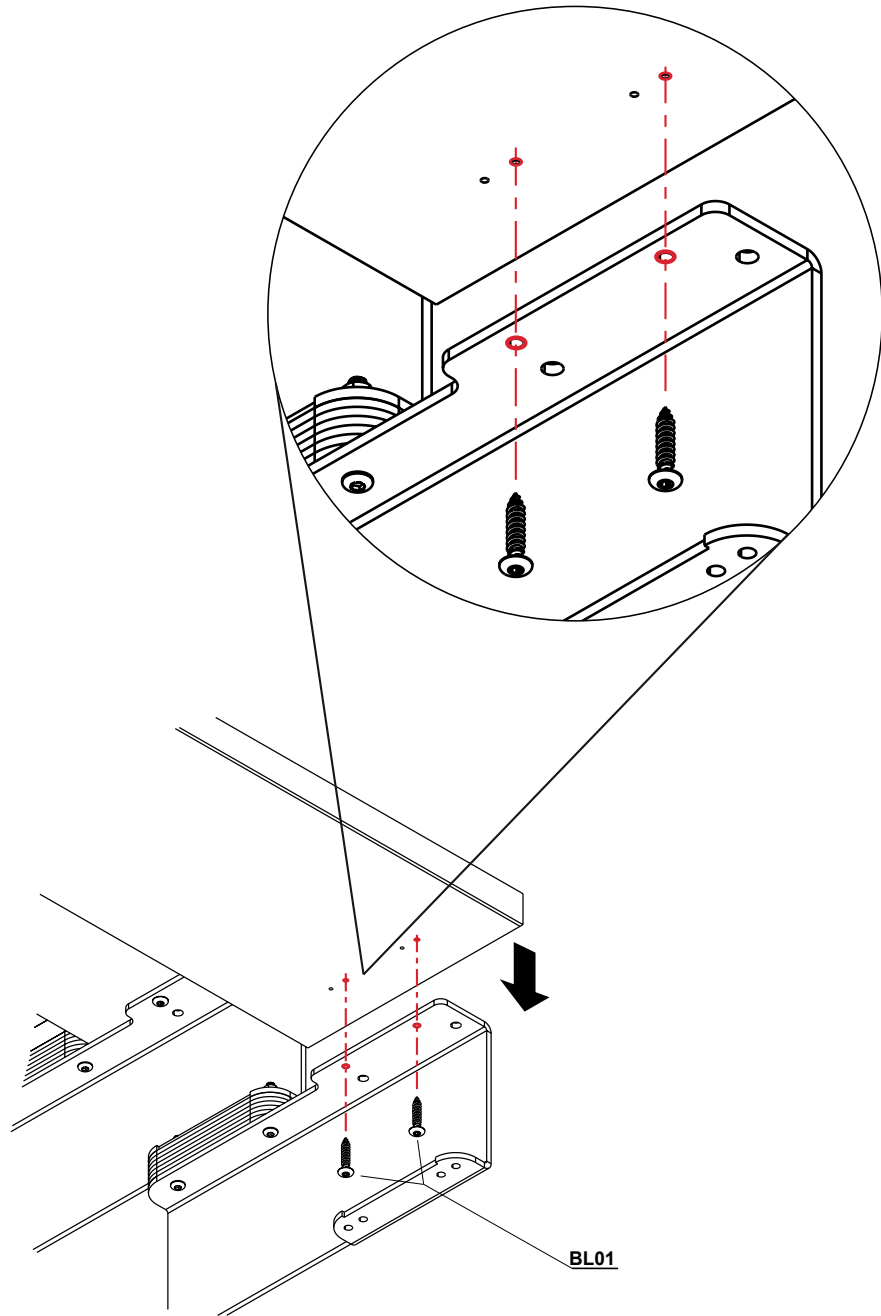
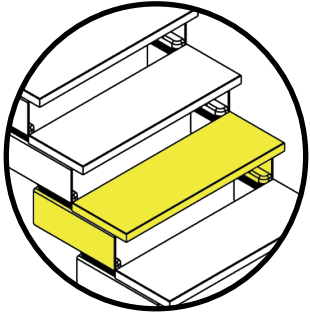




 D	
1 ÷ 4	BM04 M8X40
4 ÷ 7	BM02 M8X55
7 ÷ 10	BM01 M8X70



	Composity structure and steps installation manual. Configuration I - L	Code	Rev. 1	Date 29-07-2016
--	---	------	------------------	---------------------------



BM 01

BM 02

BM 04

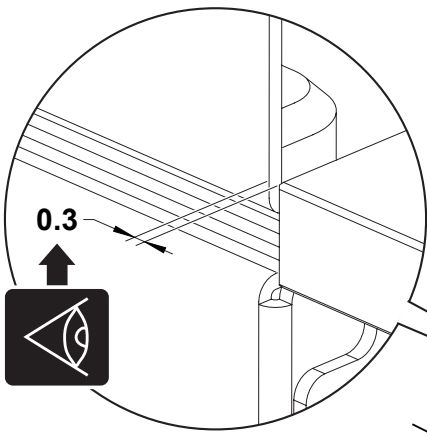
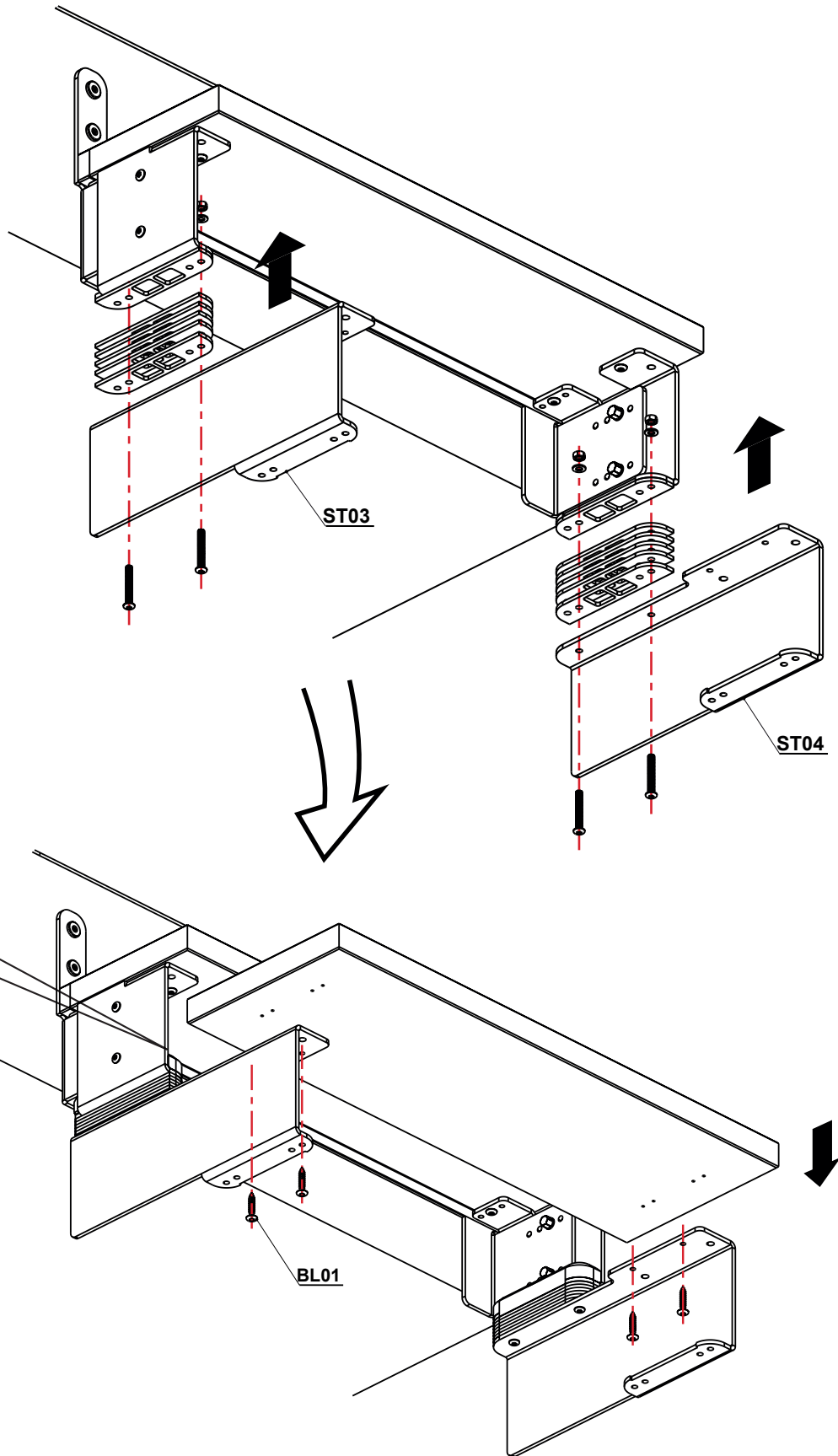
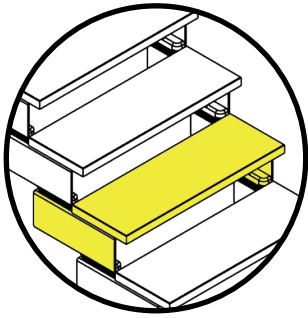
BM 032

BM 34

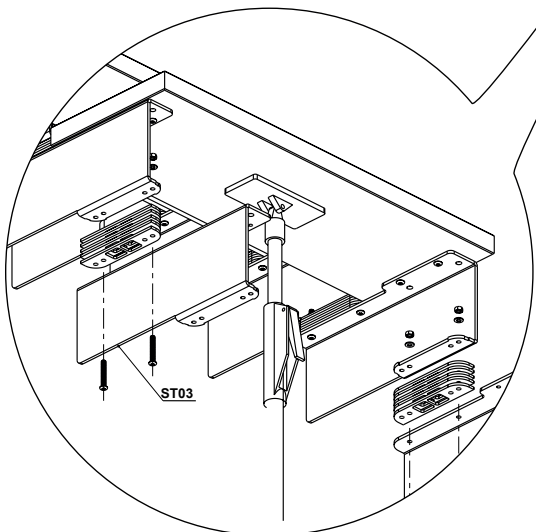
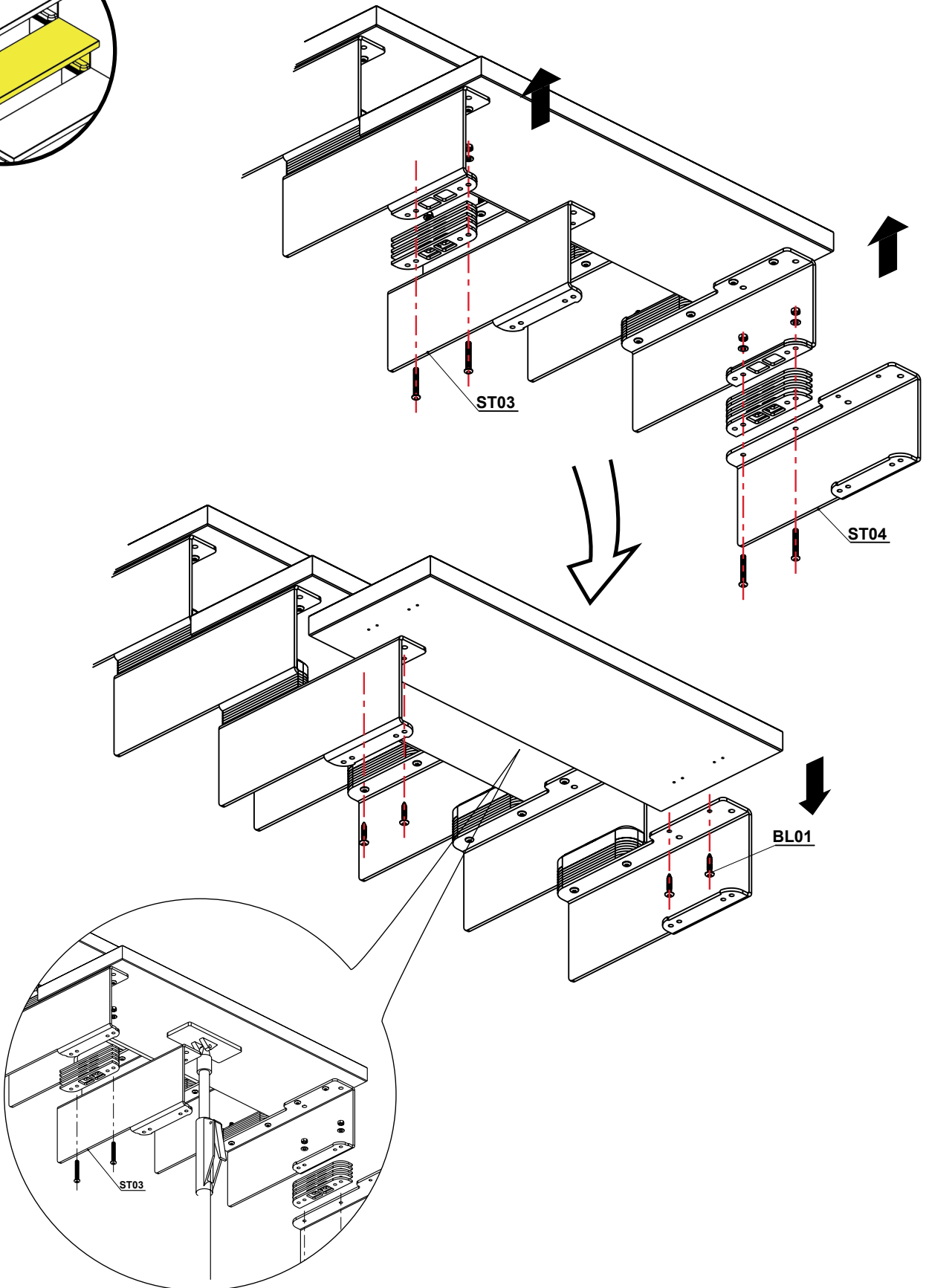
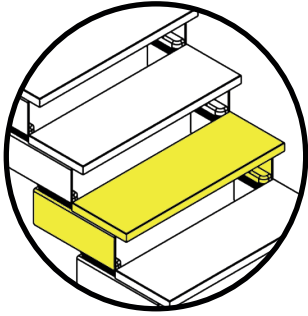
BL 01



	Composity structure and steps installation manual. Configuration I - L	Code	Rev. 1	Date 29-07-2016
--	---	------	------------------	---------------------------



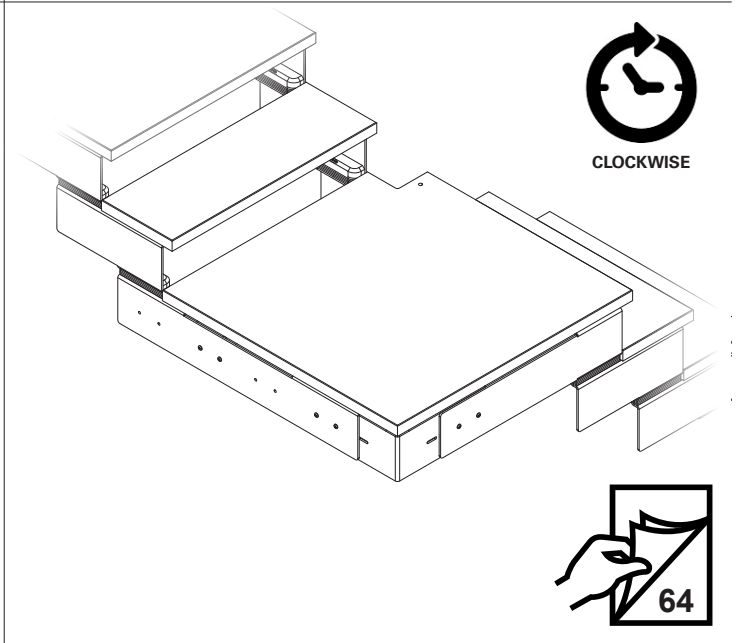
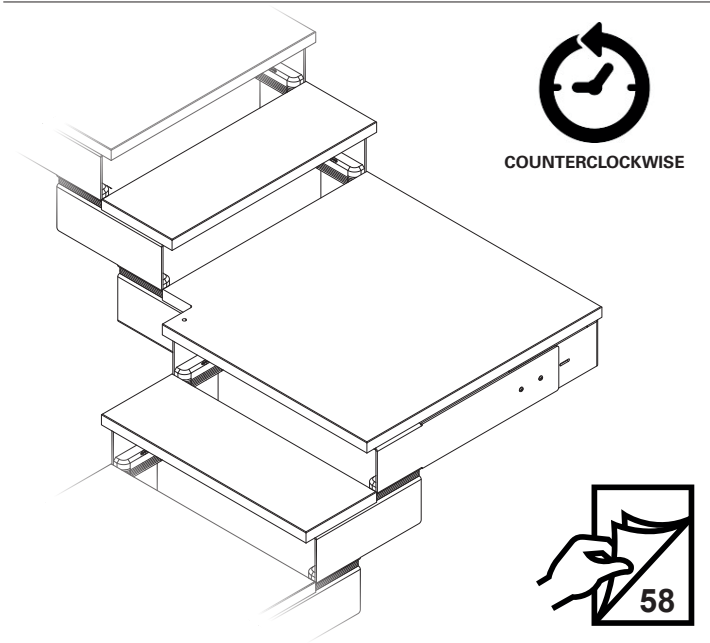
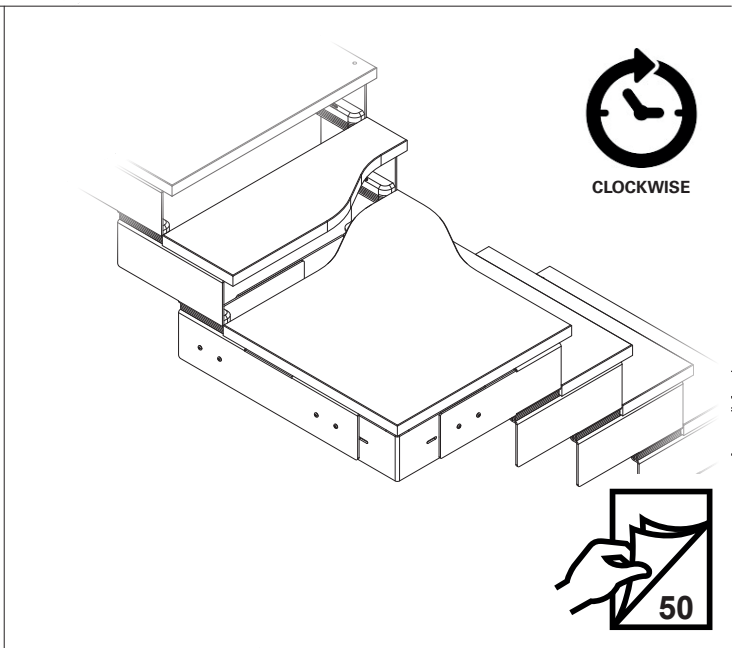
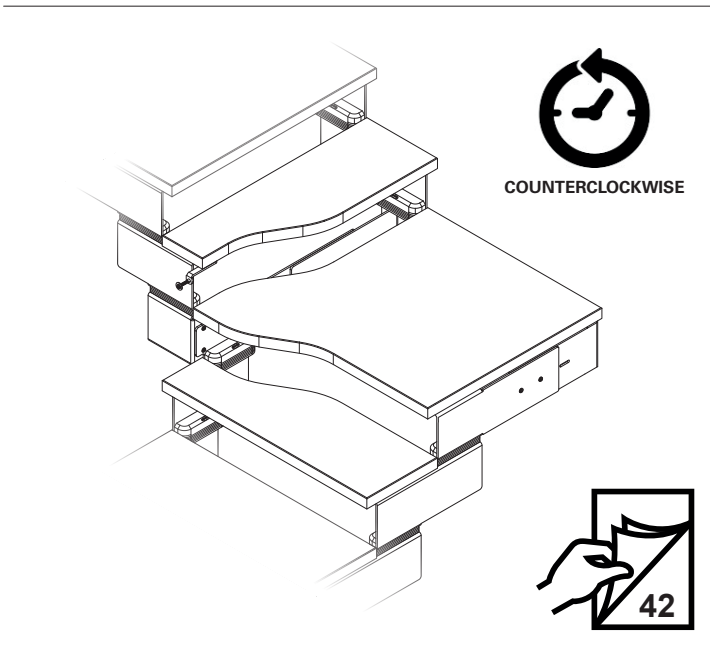
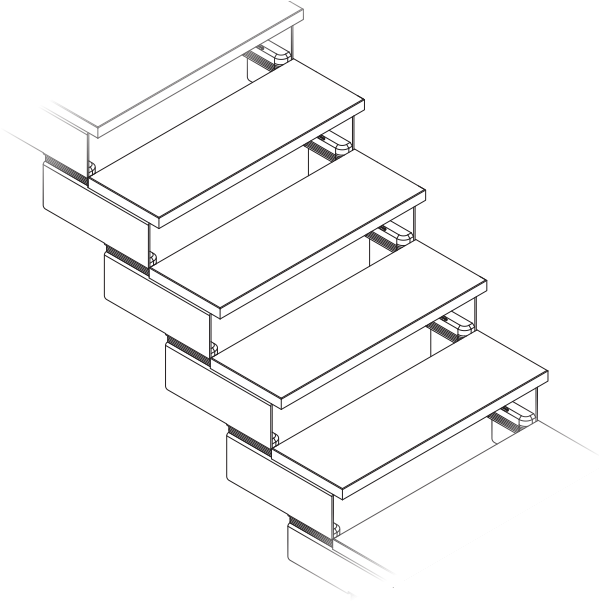
	Composity structure and steps installation manual. Configuration I - L	Code	Rev. 1	Date 29-07-2016
--	---	------	------------------	---------------------------



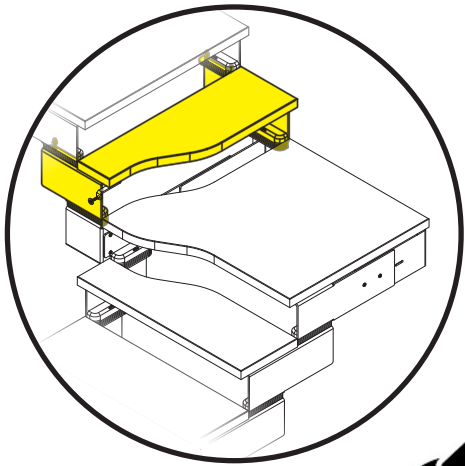
	Composity structure and steps installation manual. Configuration I - L	Code	Rev. 1	Date 29-07-2016
--	--	------	------------------	---------------------------



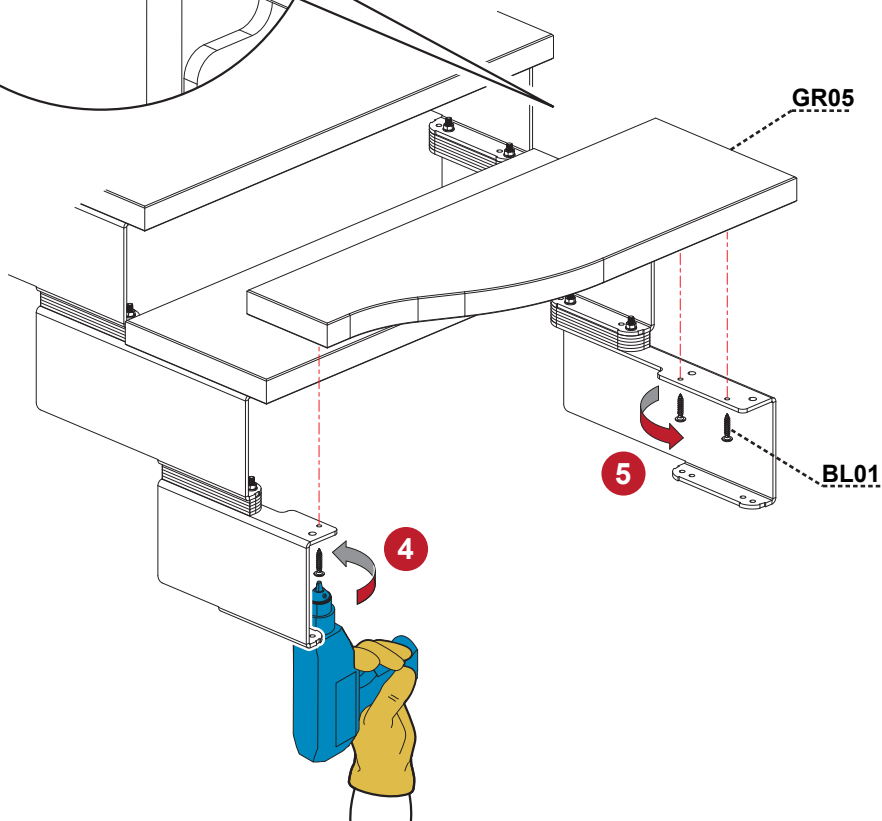
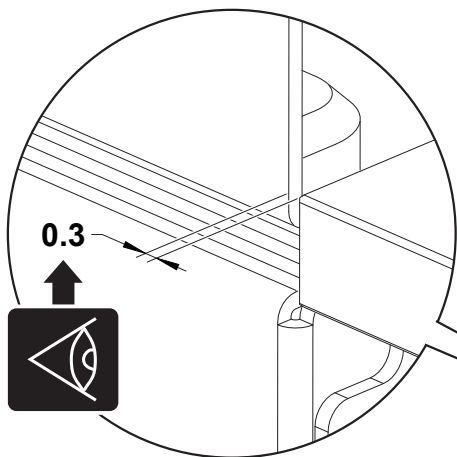
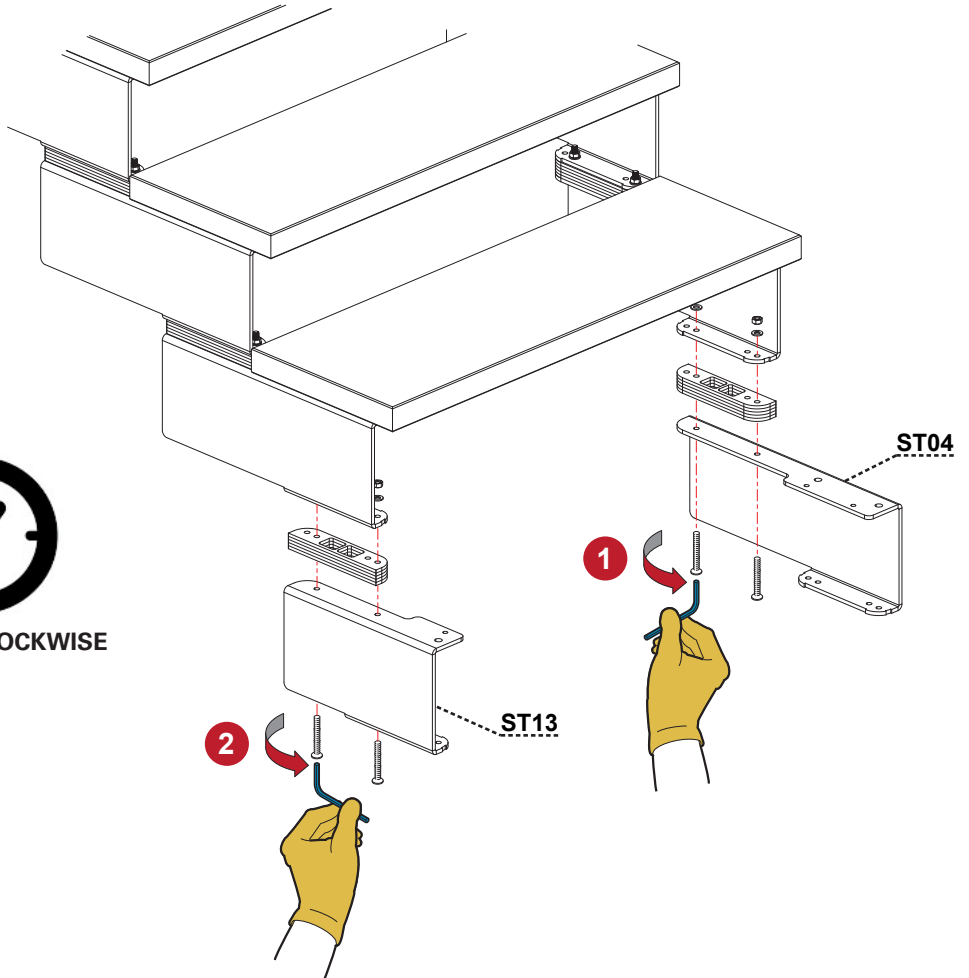
	Composity structure and steps installation manual. Configuration I - L	Code	Rev. 1	Date 29-07-2016
--	---	------	------------------	---------------------------



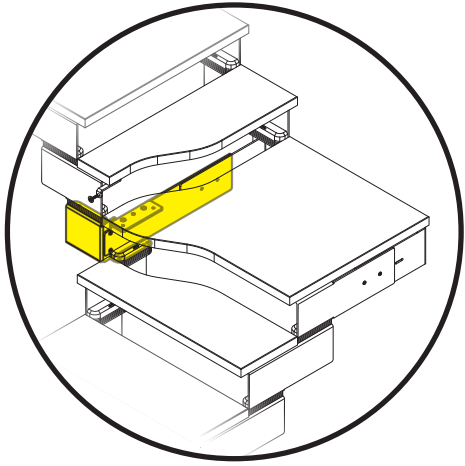
	Composity structure and steps installation manual. Configuration I - L	Code	Rev. 1	Date 29-07-2016
--	---	------	------------------	---------------------------



COUNTERCLOCKWISE



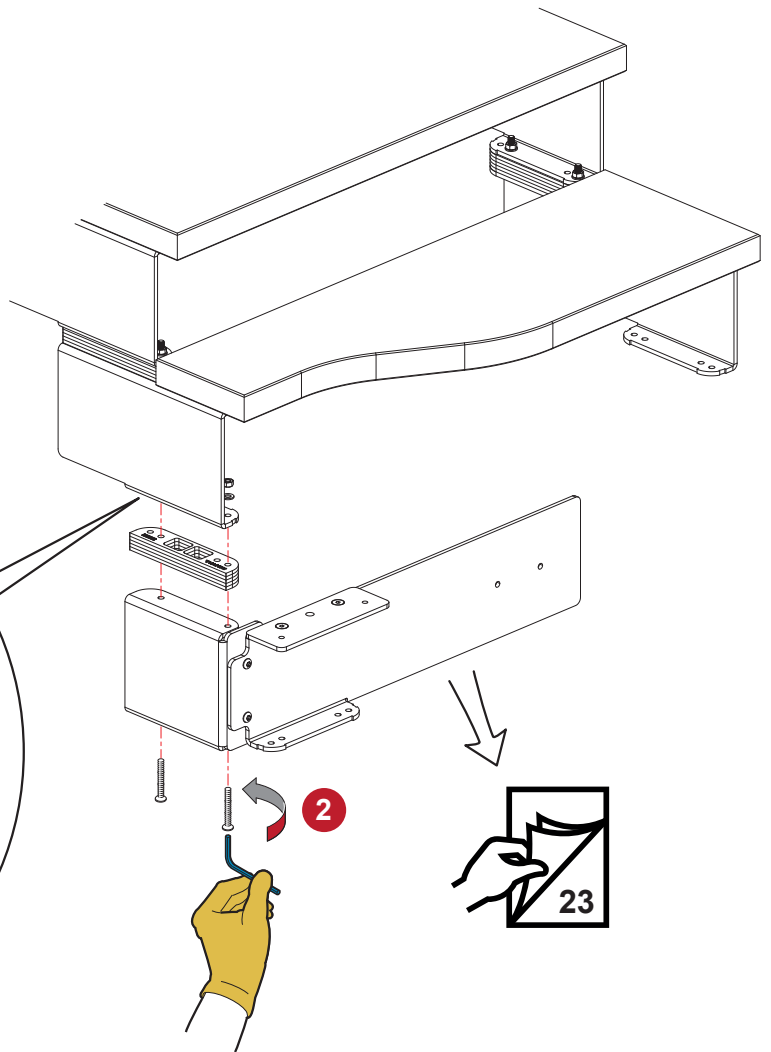
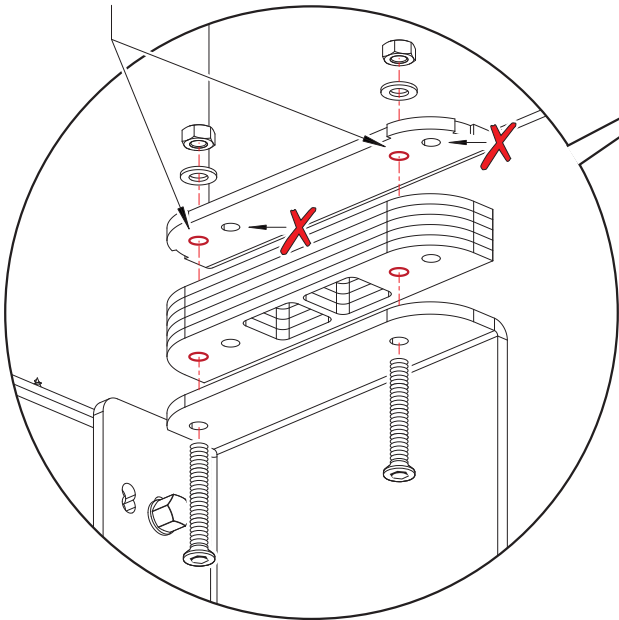
	Composity structure and steps installation manual. Configuration I - L	Code	Rev. 1	Date 29-07-2016
--	---	------	------------------	---------------------------



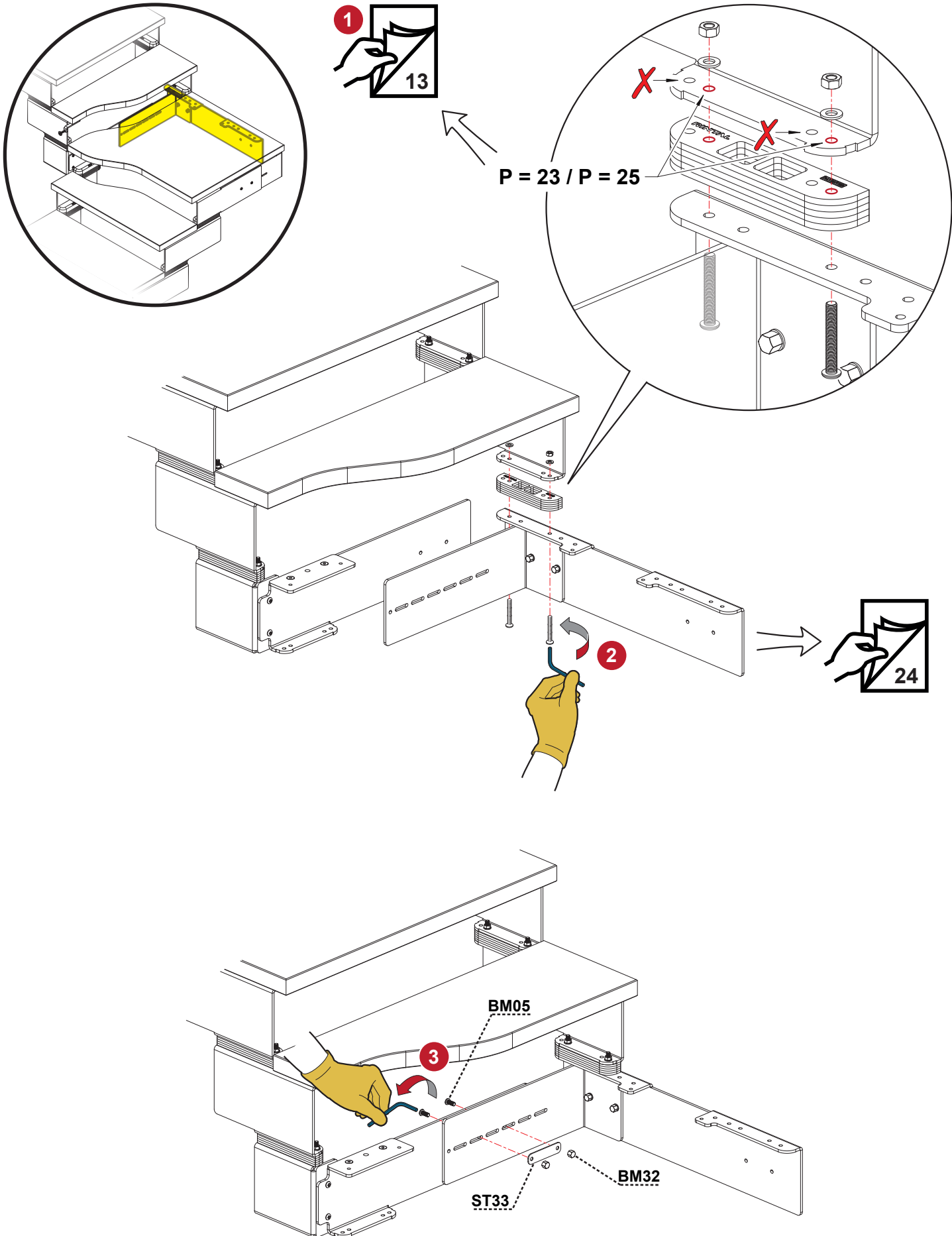
COUNTERCLOCKWISE

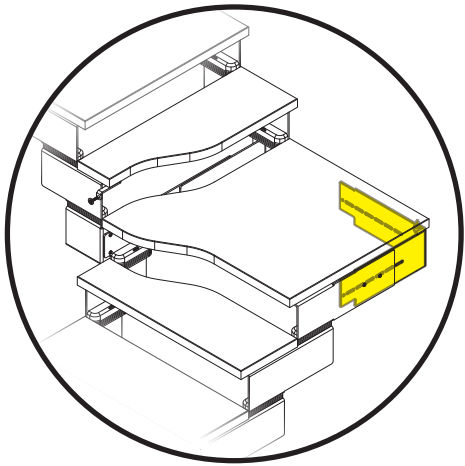


P = 23 / P = 25

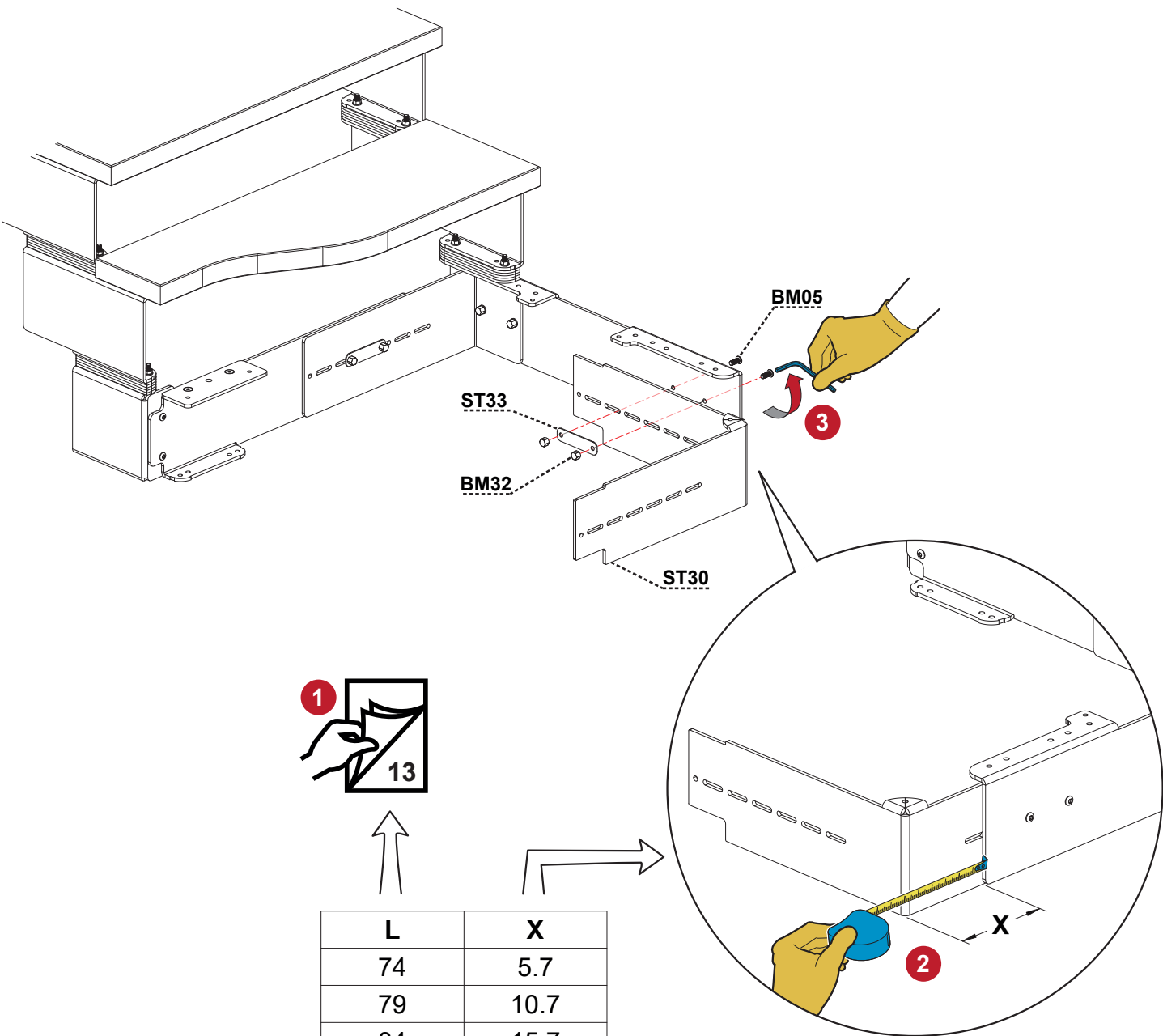


	Composity structure and steps installation manual. Configuration I - L	Code	Rev. 1	Date 29-07-2016
--	---	------	------------------	---------------------------

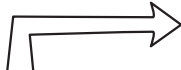


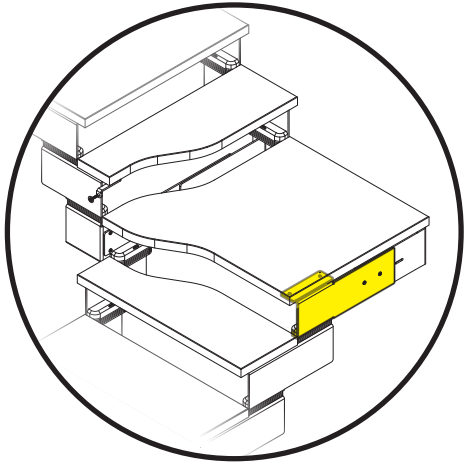


COUNTERCLOCKWISE



L	X
74	5.7
79	10.7
84	15.7
89	20.7
94	25.7

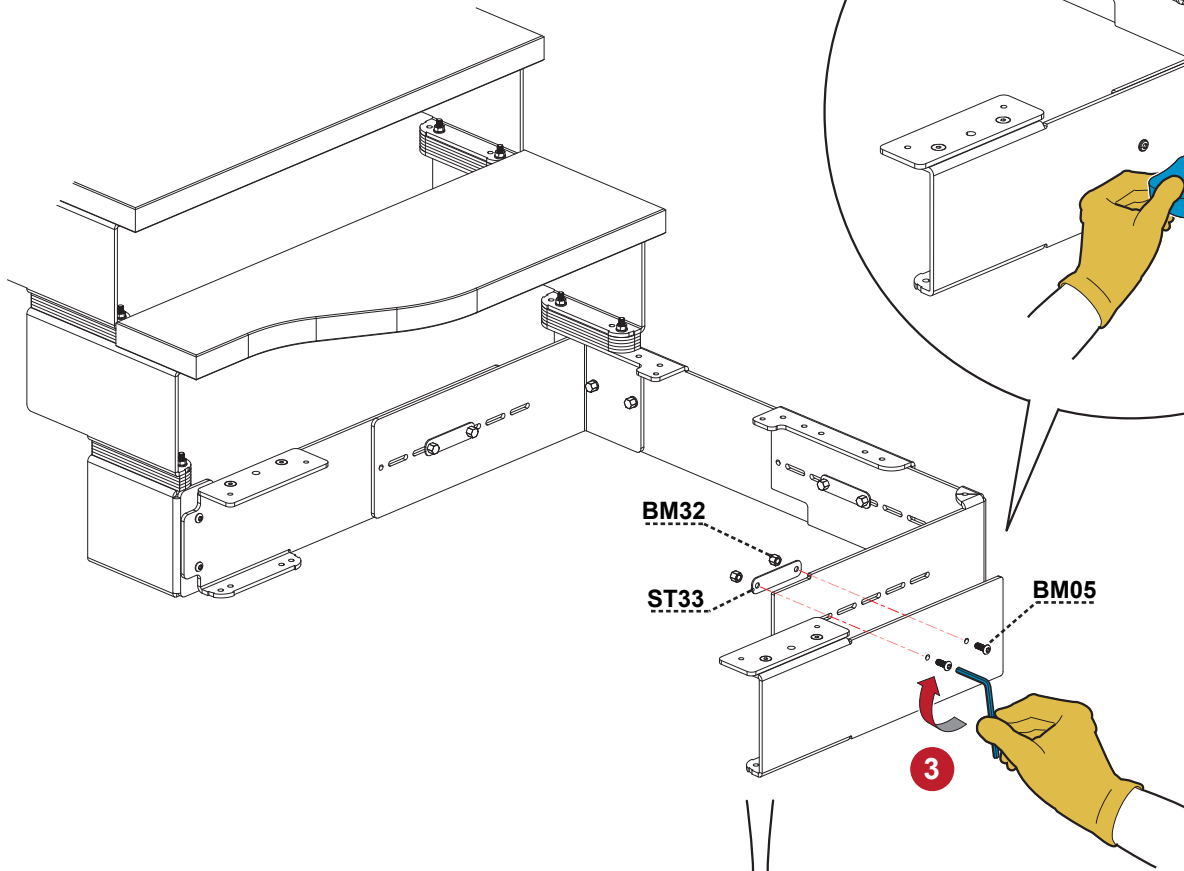
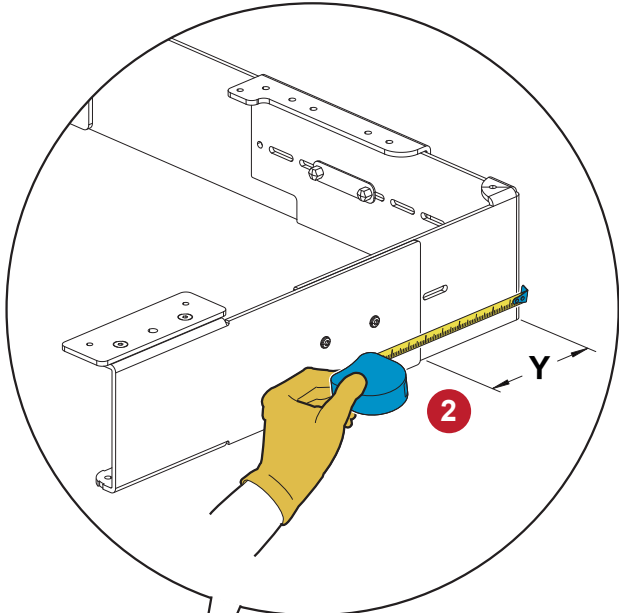
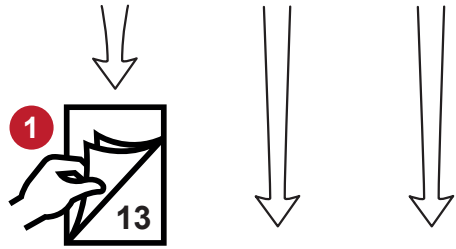




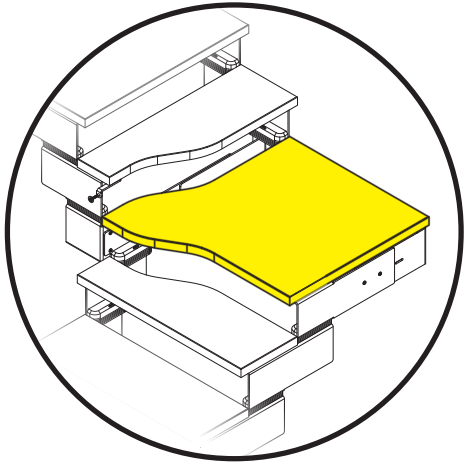
	P = 23	P = 25
L	Y	Y
74	5.1	7.1
79	10.1	12.1
84	15.1	17.1
89	20.1	22.1
94	25.1	27.1



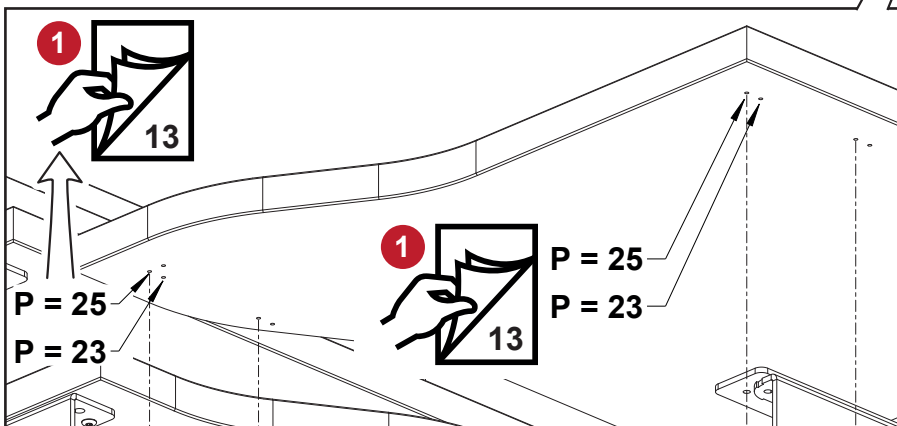
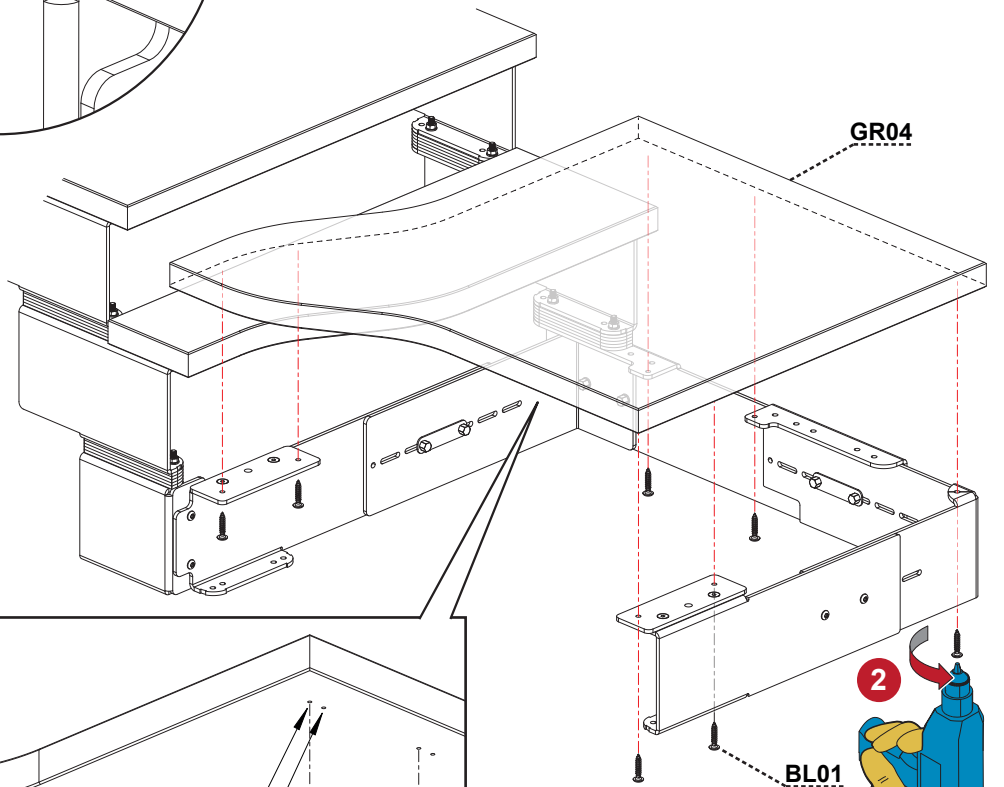
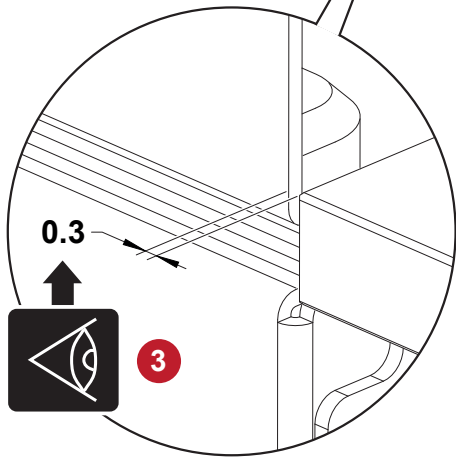
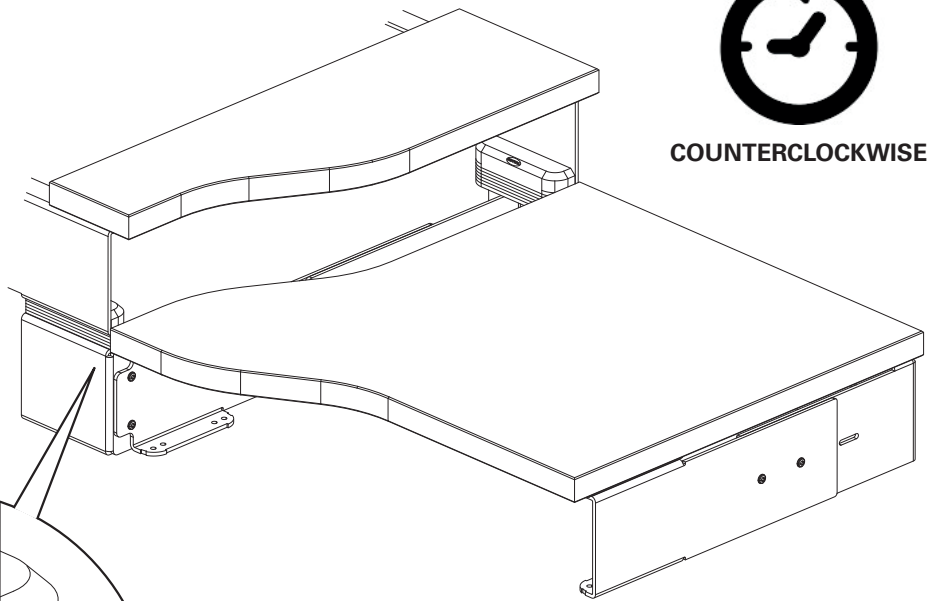
COUNTERCLOCKWISE



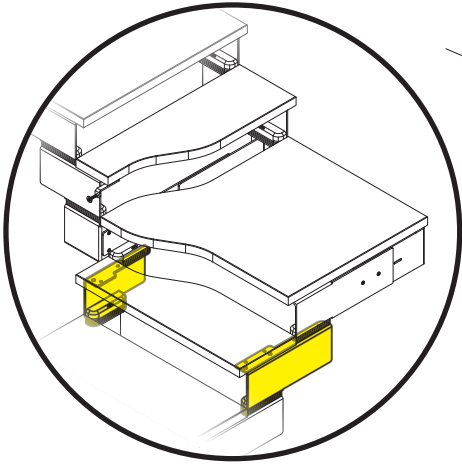
	Composity structure and steps installation manual. Configuration I - L	Code	Rev. 1	Date 29-07-2016
--	---	------	------------------	---------------------------



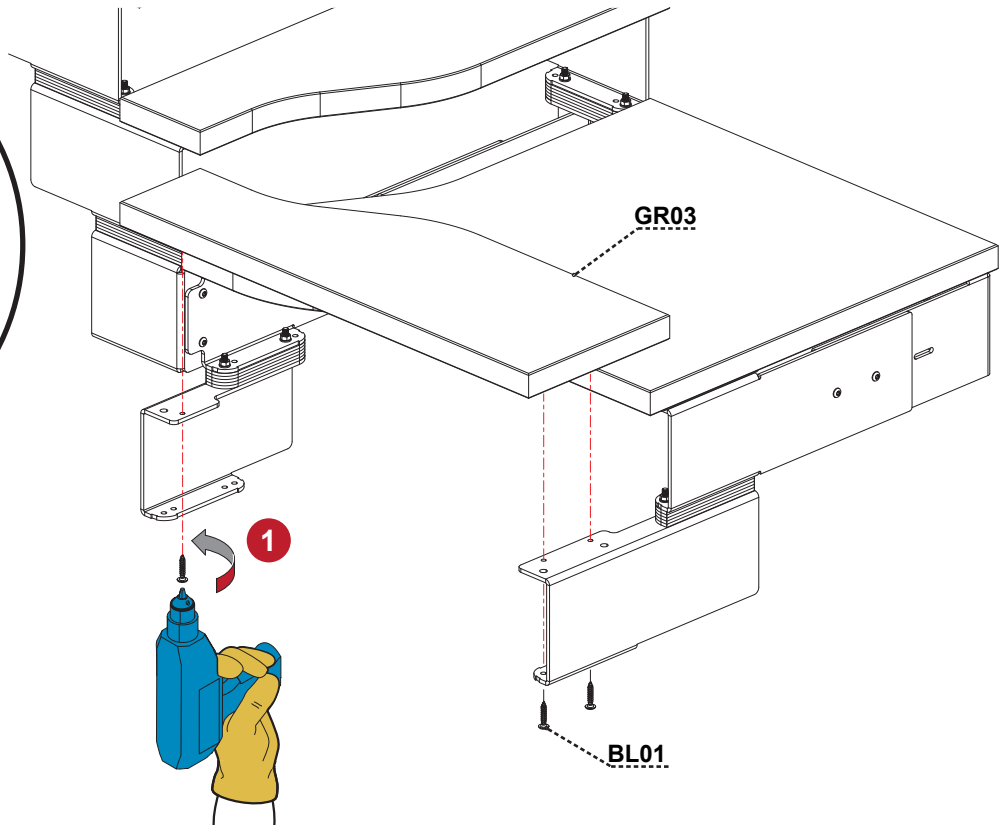
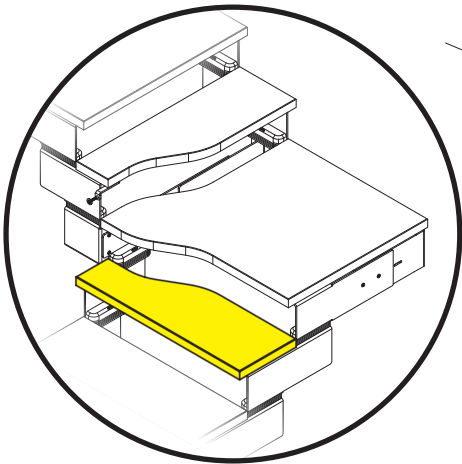
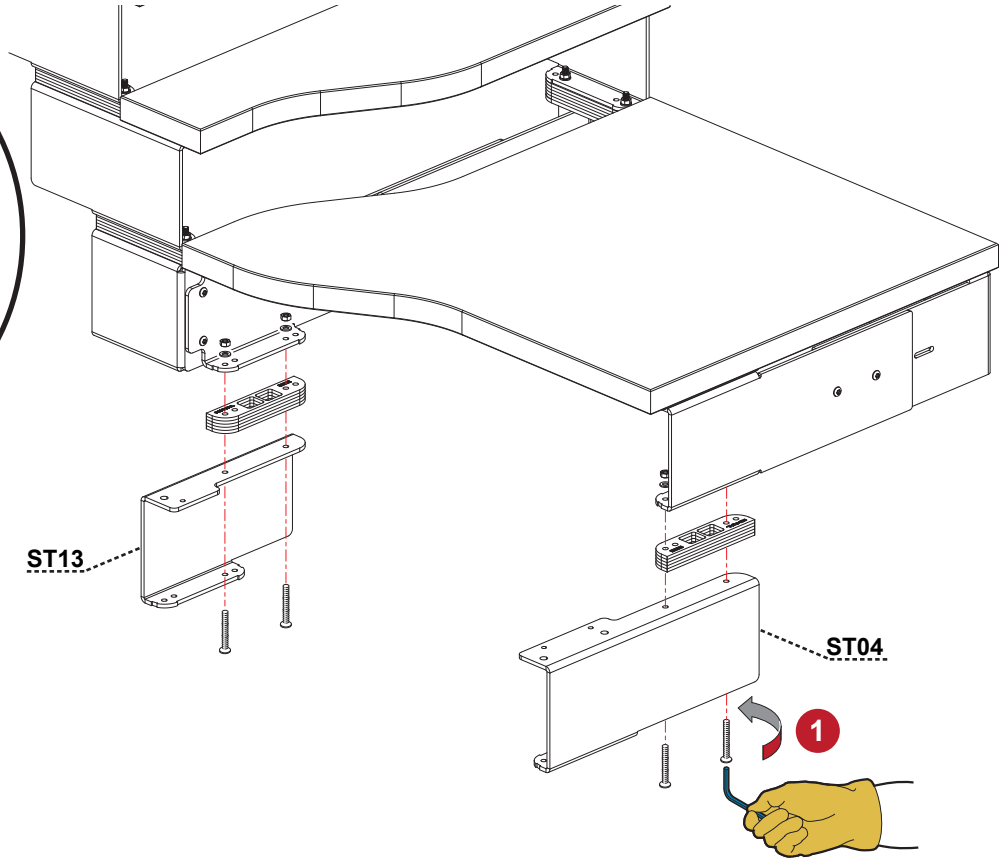
COUNTERCLOCKWISE



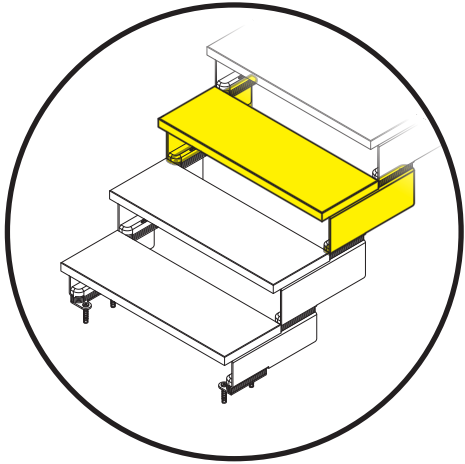
	Composity structure and steps installation manual. Configuration I - L	Code	Rev. 1	Date 29-07-2016
--	---	------	------------------	---------------------------



COUNTERCLOCKWISE



	Composity structure and steps installation manual. Configuration I - L	Code	Rev. 1	Date 29-07-2016
--	---	------	------------------	---------------------------

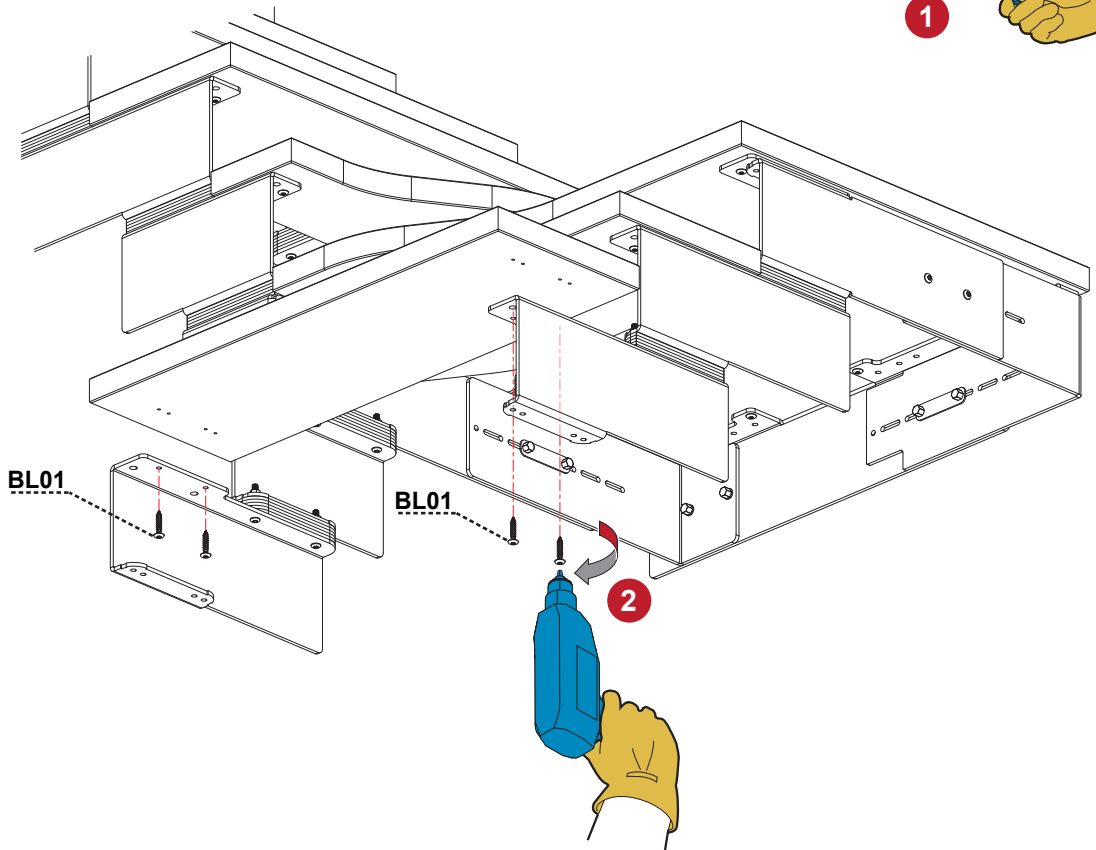
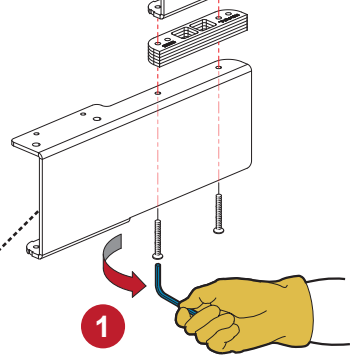


COUNTERCLOCKWISE

ST03



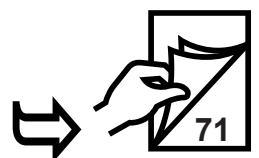
ST04



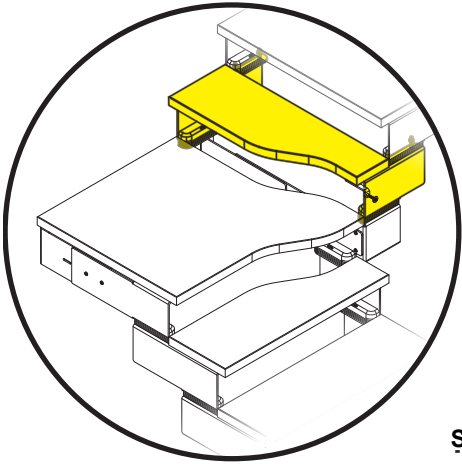
BL01

BL01

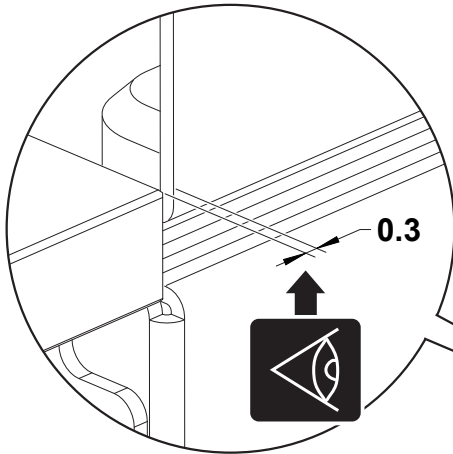
2



	Composity structure and steps installation manual. Configuration I - L	Code	Rev. 1	Date 29-07-2016
--	---	------	------------------	---------------------------



CLOCKWISE



ST03

1



ST14

2

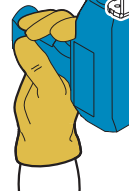


GR03

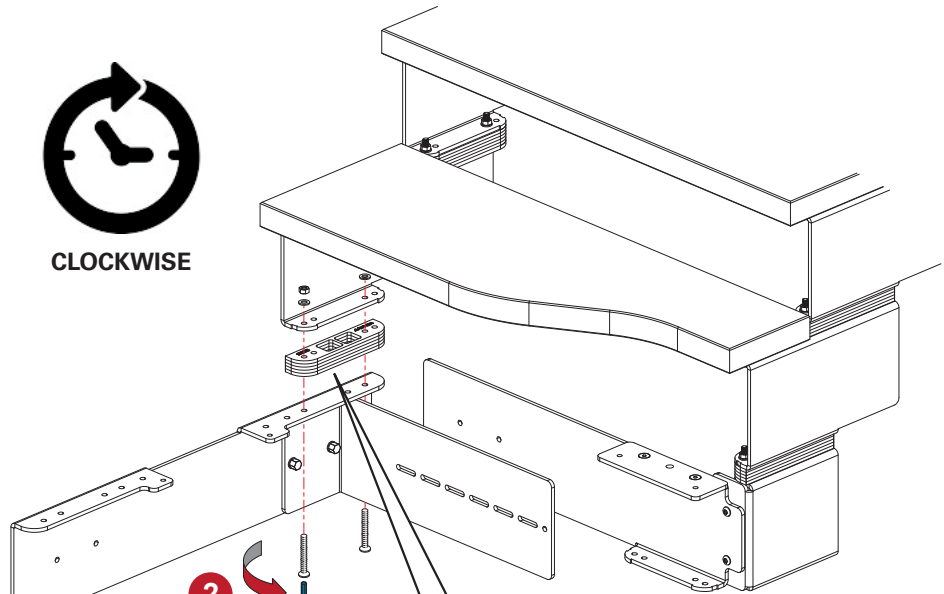
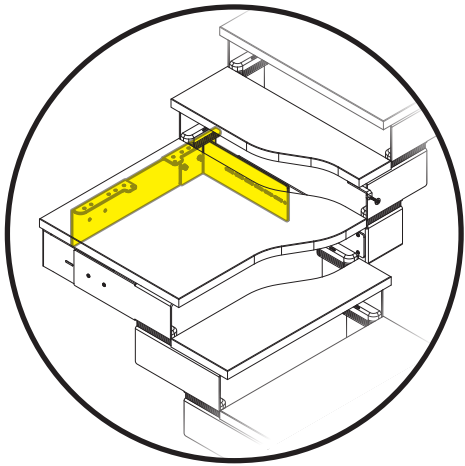
BL01

4

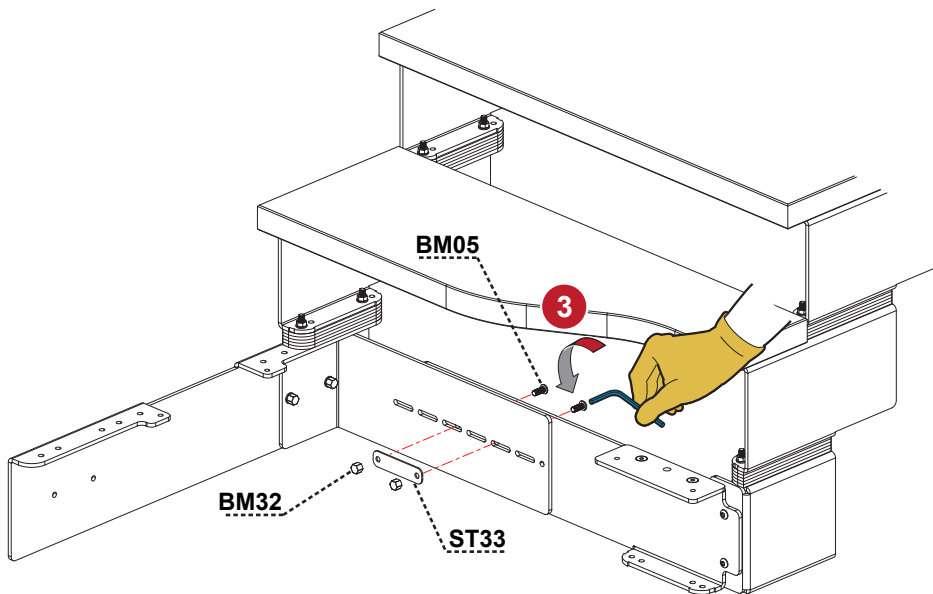
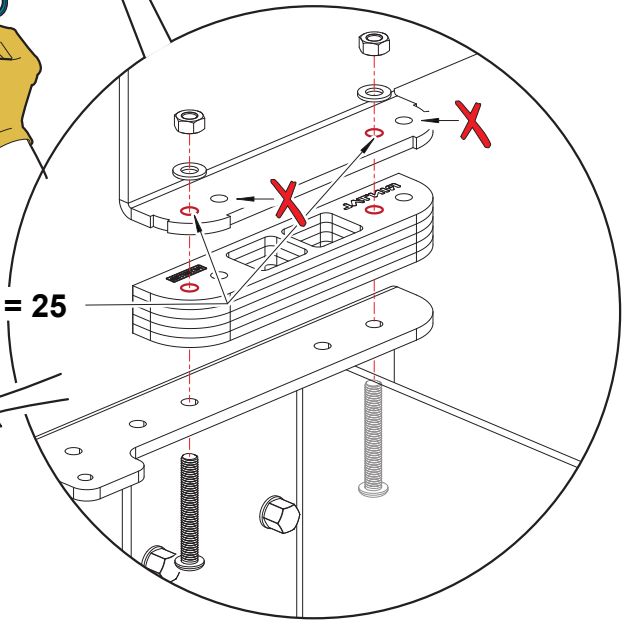
3

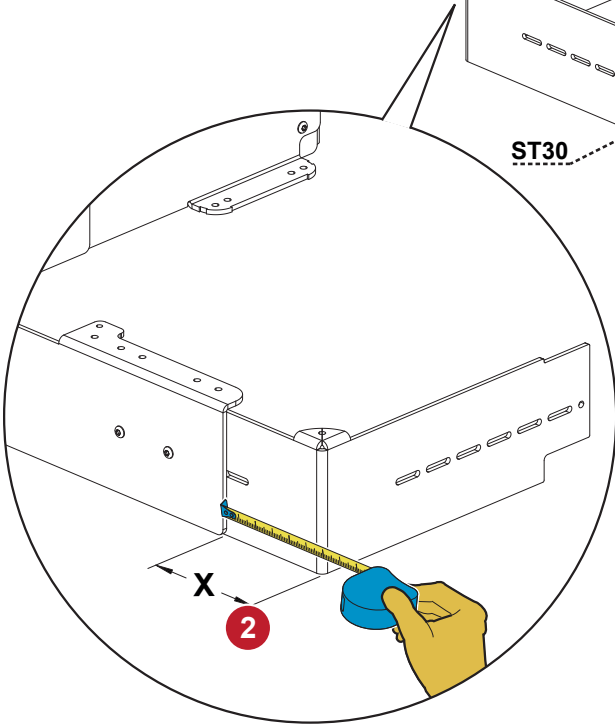
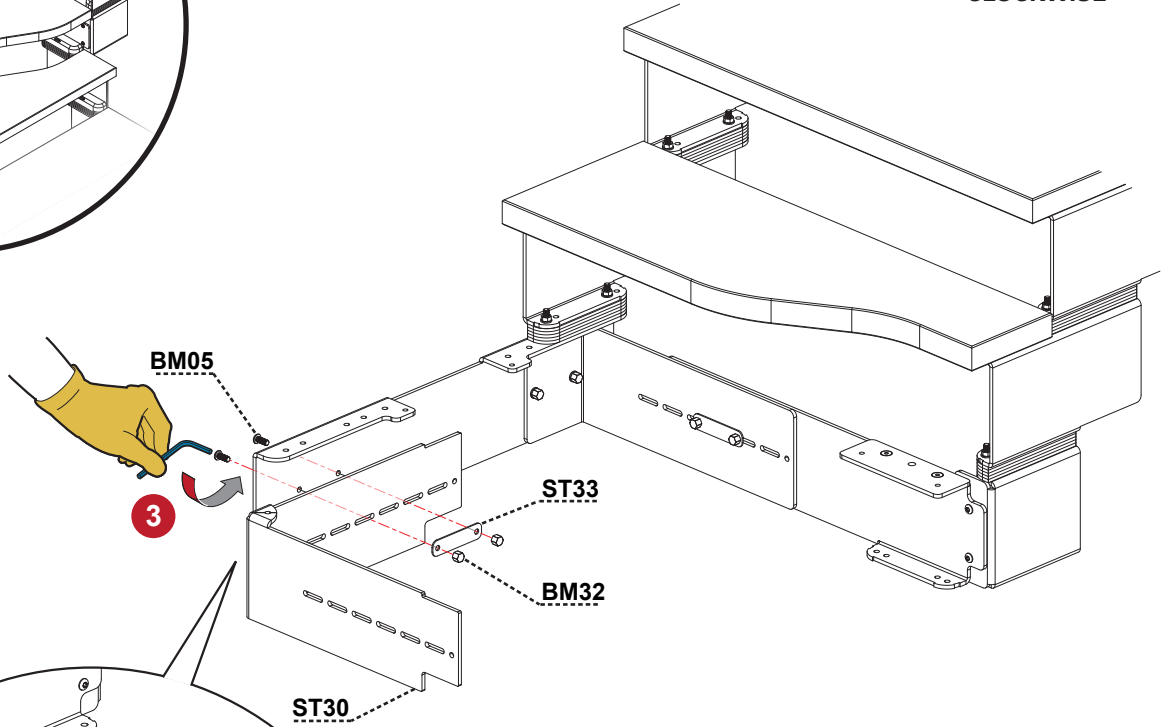
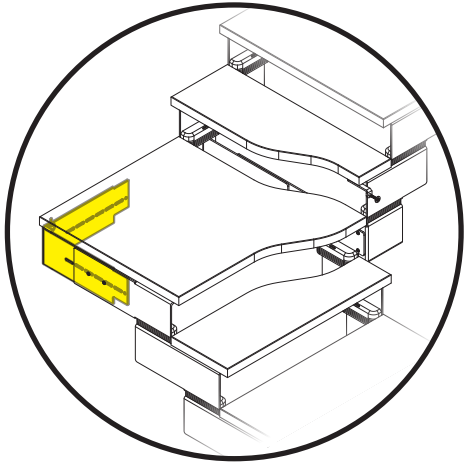


	Composity structure and steps installation manual. Configuration I - L	Code	Rev. 1	Date 29-07-2016
--	---	------	------------------	---------------------------



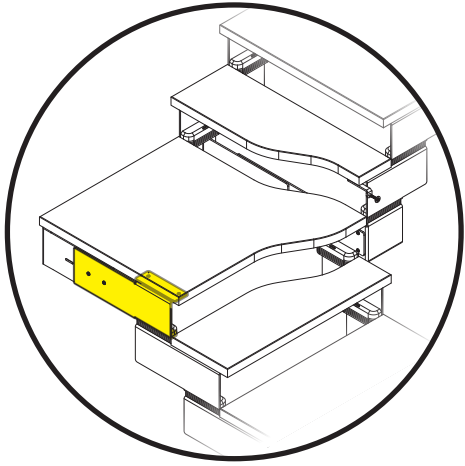
P = 23 / P = 25



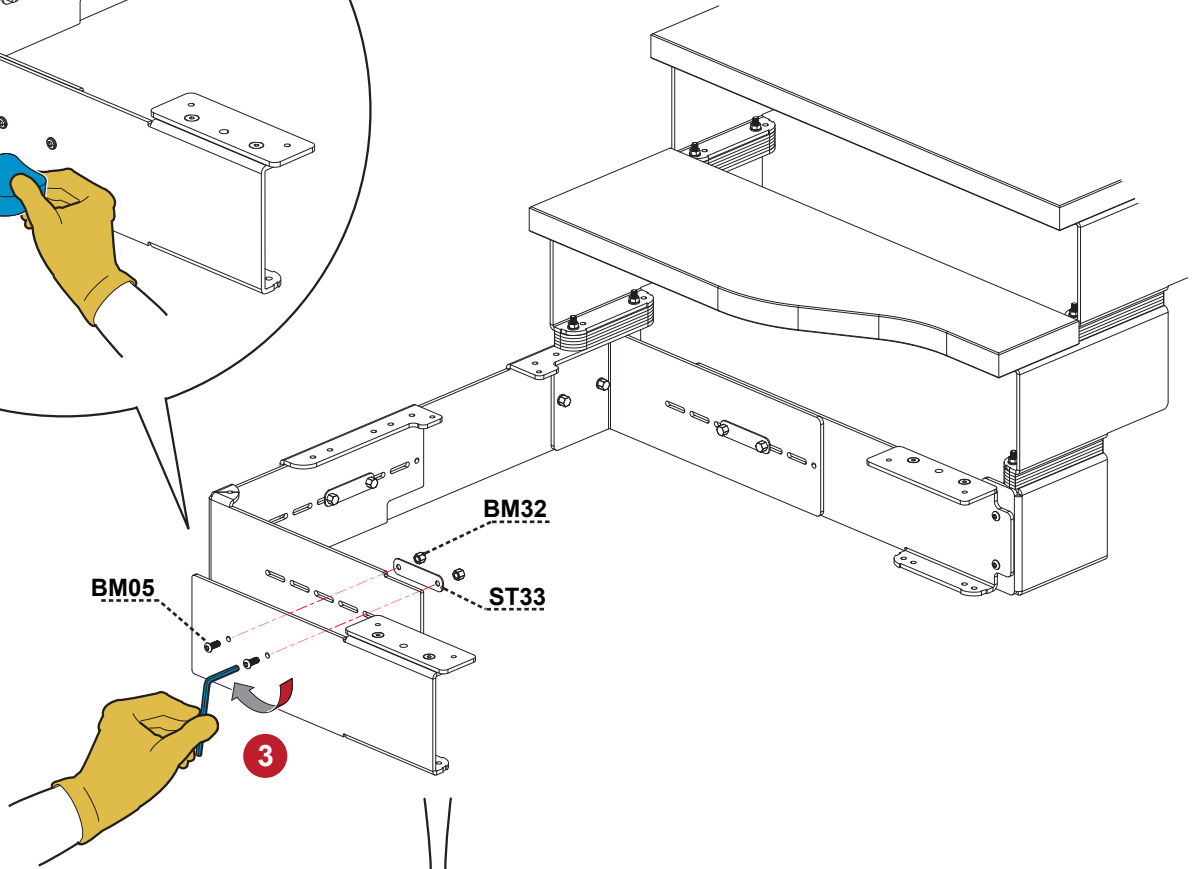
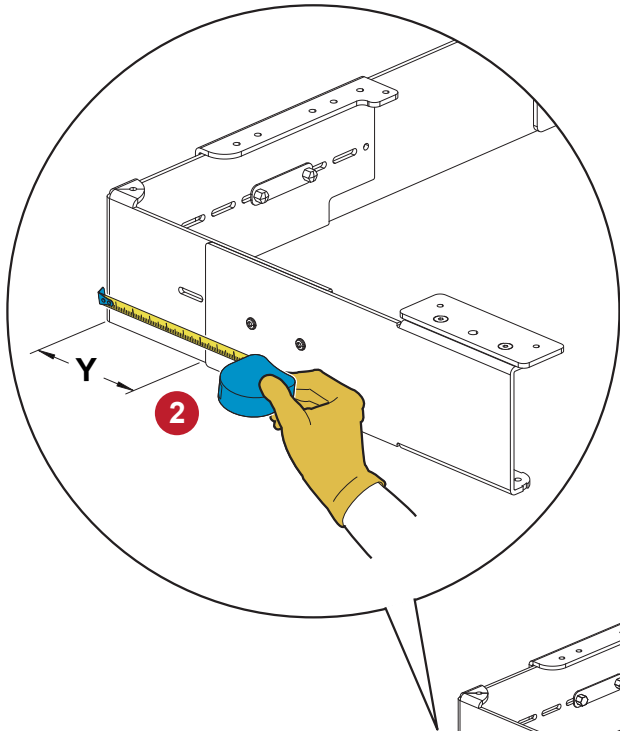


L	X
74	5.7
79	10.7
84	15.7
89	20.7
94	25.7

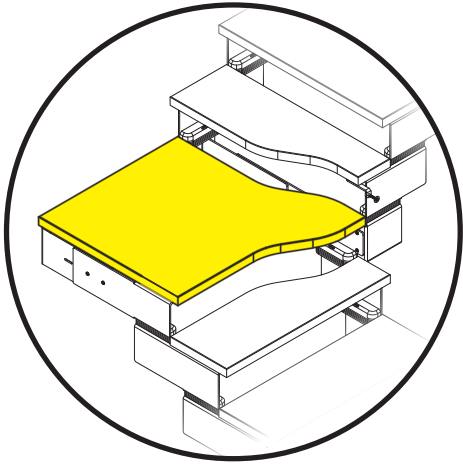




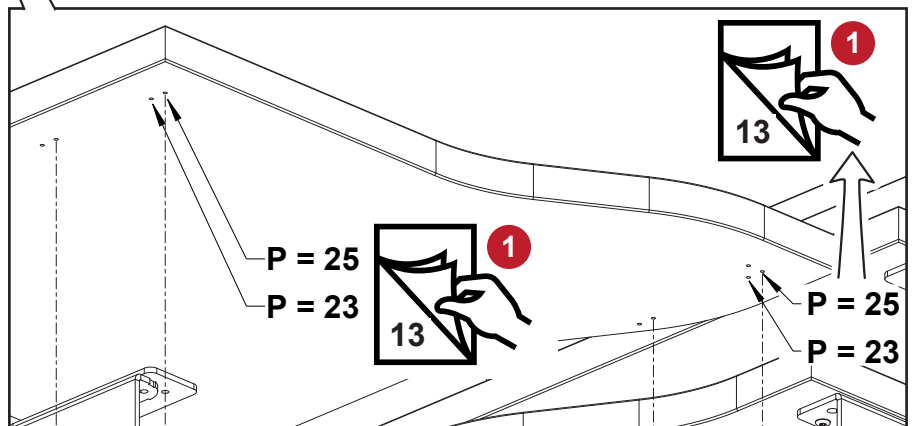
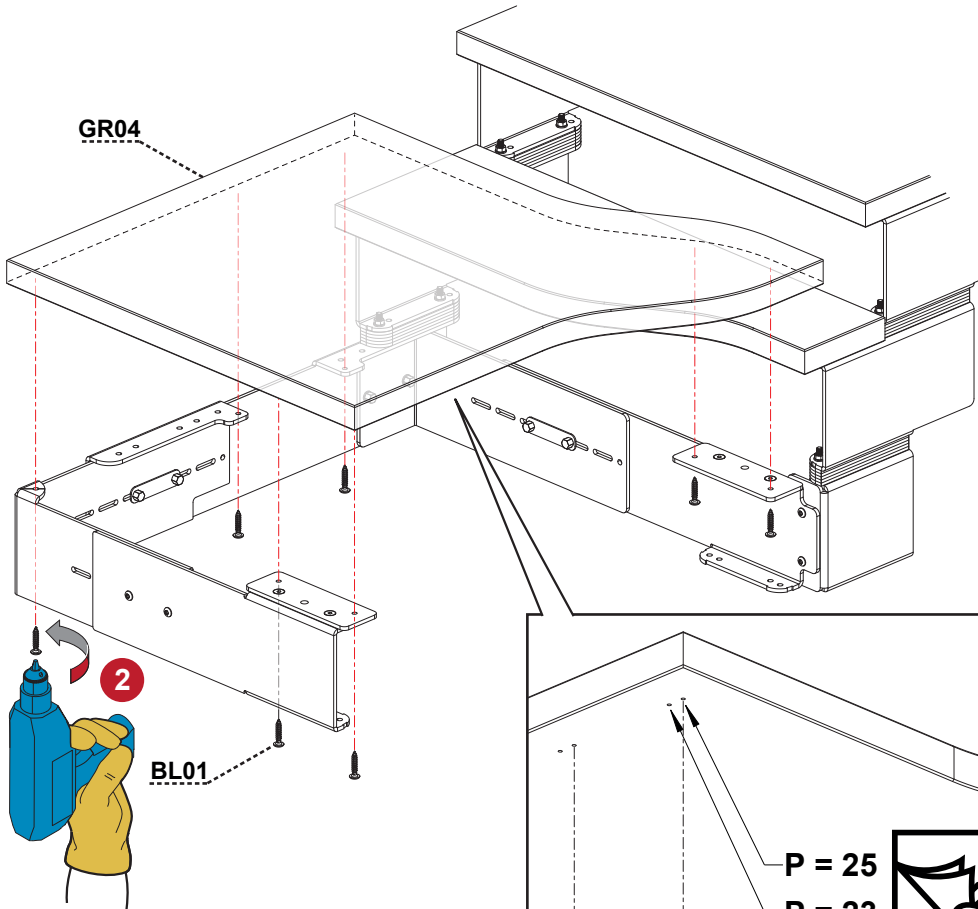
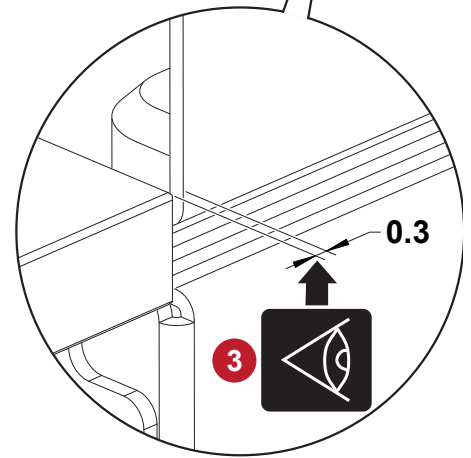
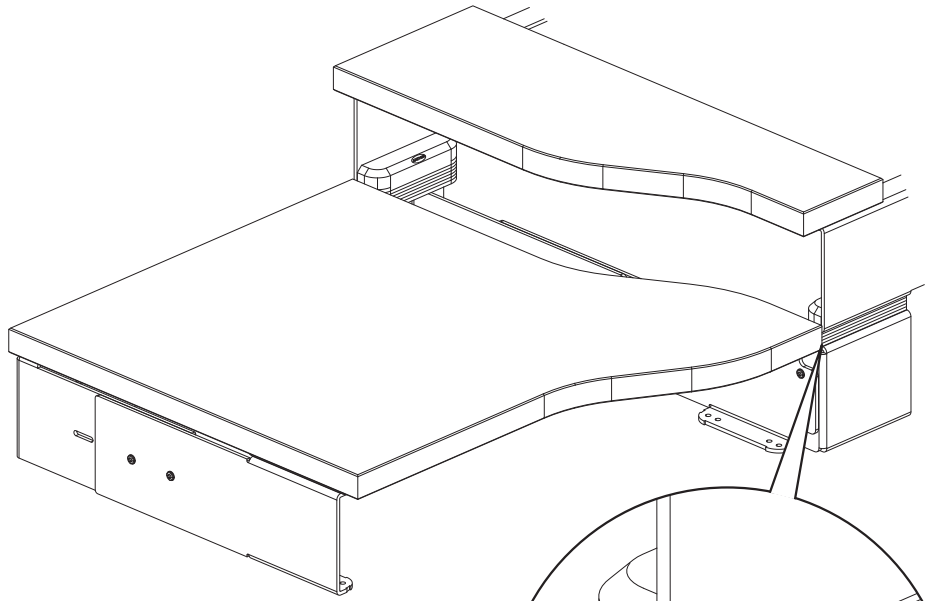
	P = 23	P = 25
L	Y	Y
74	5.1	7.1
79	10.1	12.1
84	15.1	17.1
89	20.1	22.1
94	25.1	27.1



	Composity structure and steps installation manual. Configuration I - L	Code	Rev. 1	Date 29-07-2016
--	---	------	------------------	---------------------------



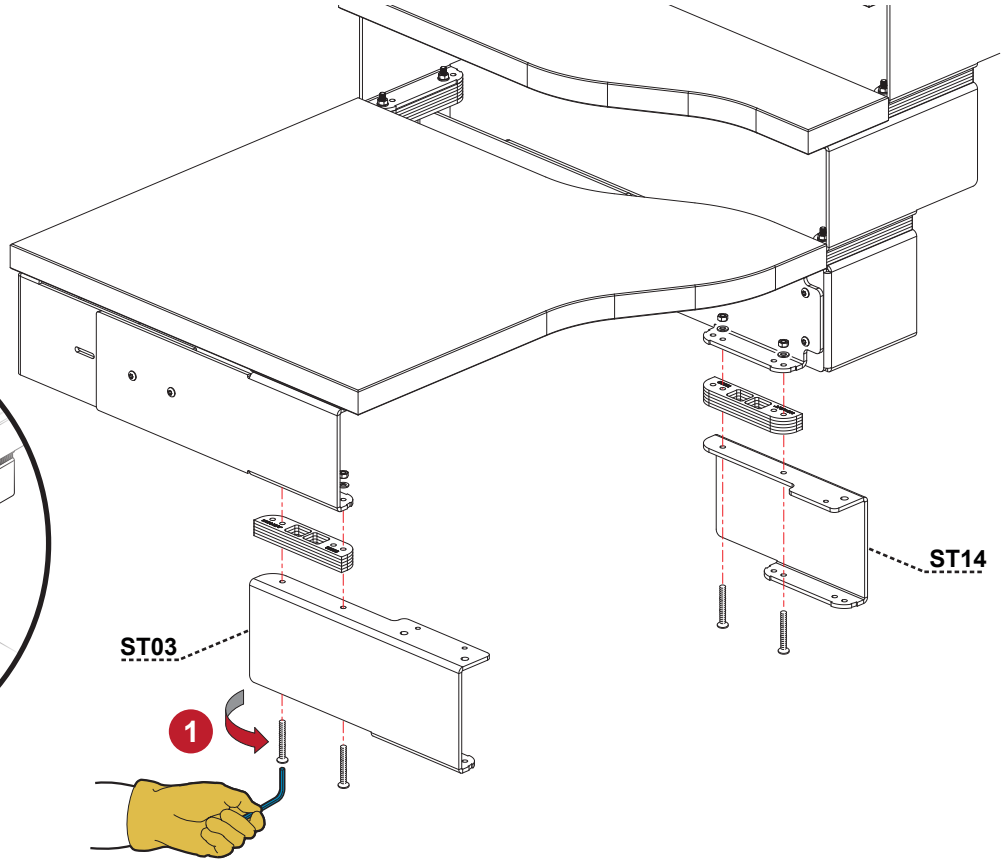
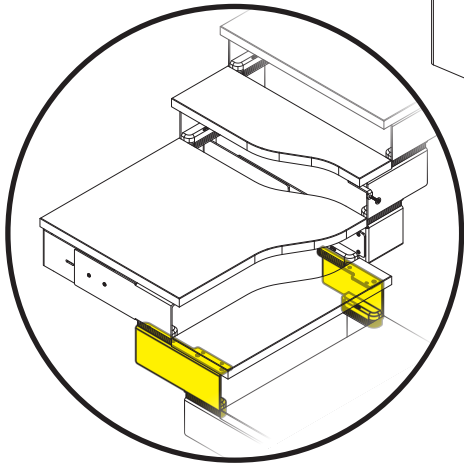
CLOCKWISE



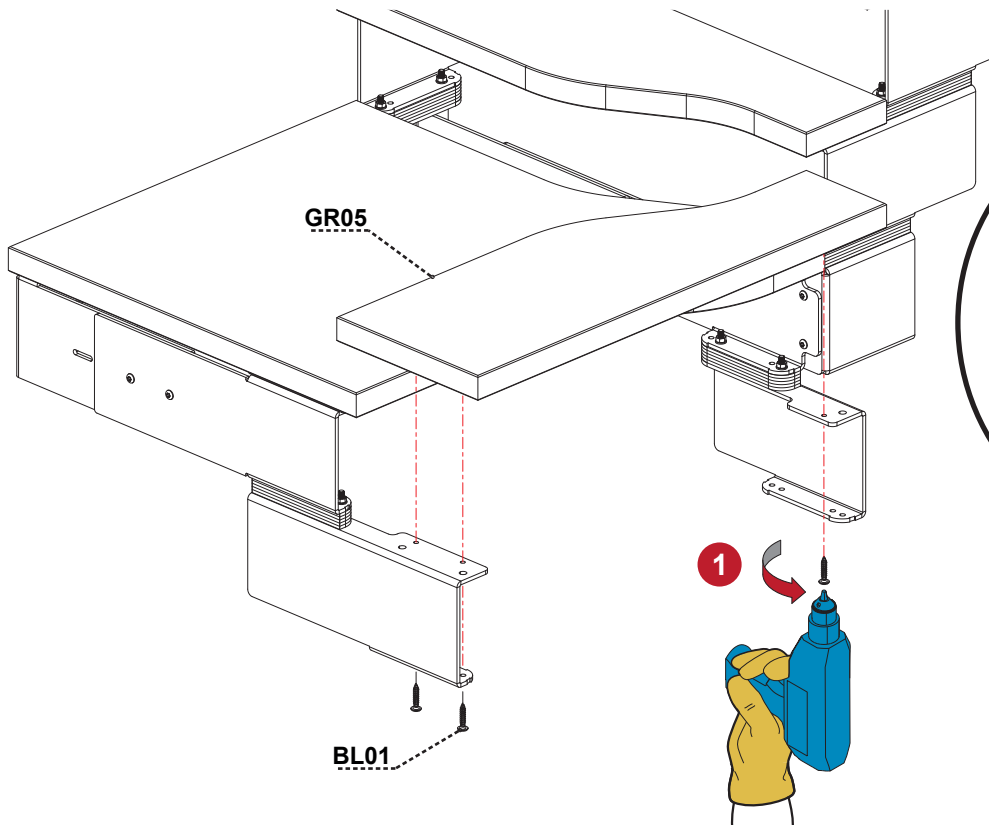
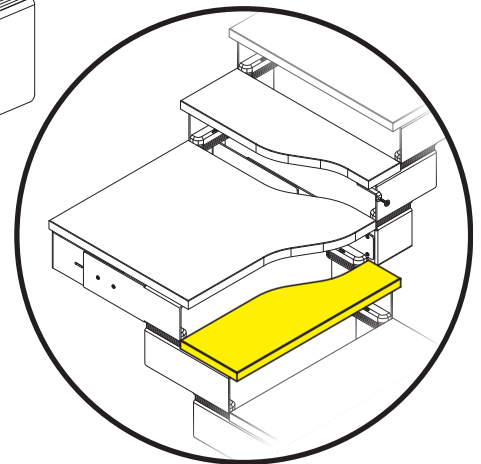
	Composity structure and steps installation manual. Configuration I - L	Code	Rev. 1	Date 29-07-2016
--	---	------	------------------	---------------------------



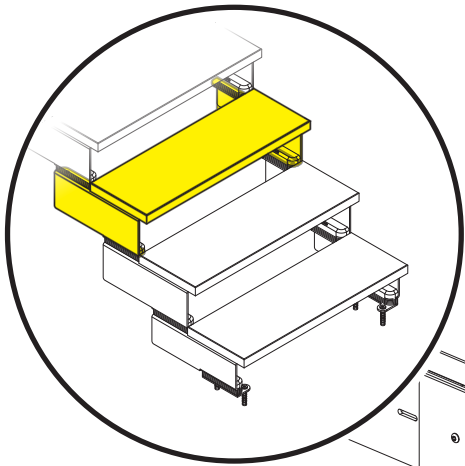
CLOCKWISE



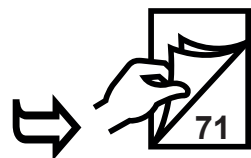
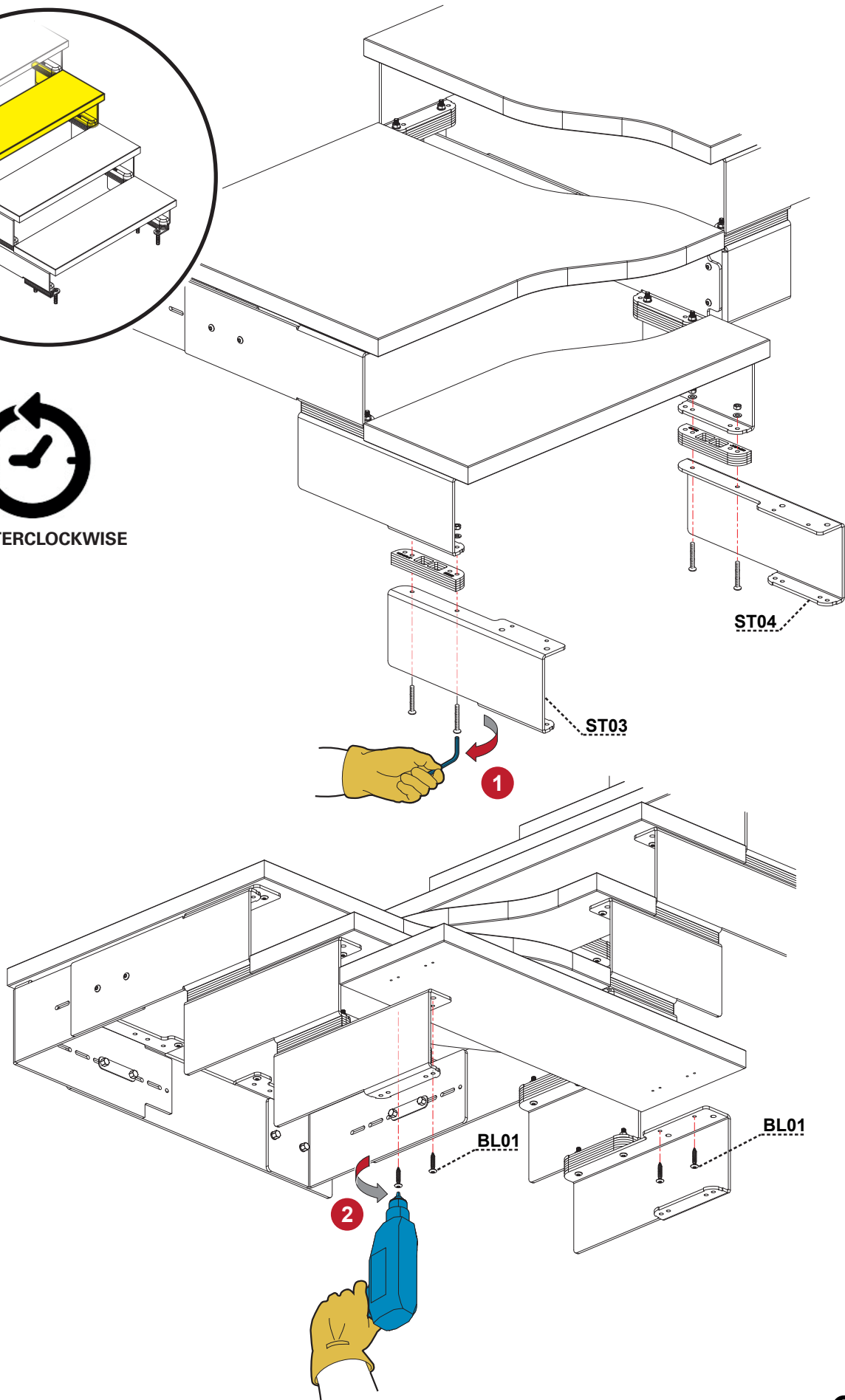
CLOCKWISE



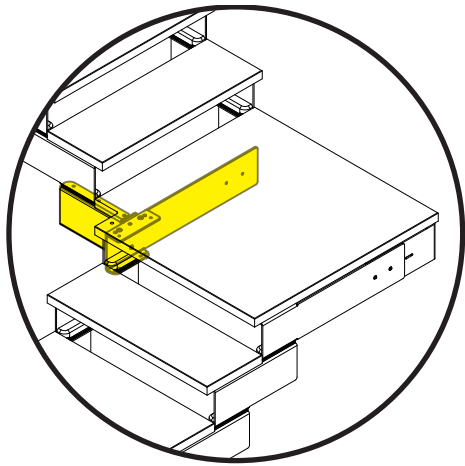
	Composity structure and steps installation manual. Configuration I - L	Code	Rev. 1	Date 29-07-2016
--	---	------	------------------	---------------------------



COUNTERCLOCKWISE



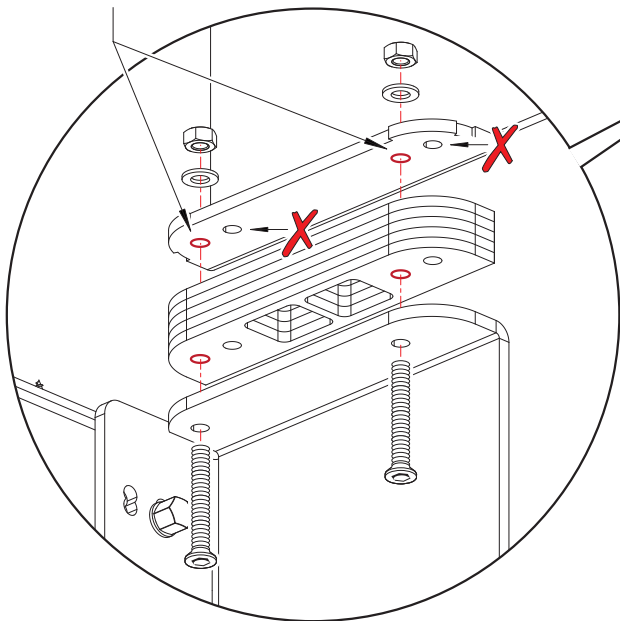
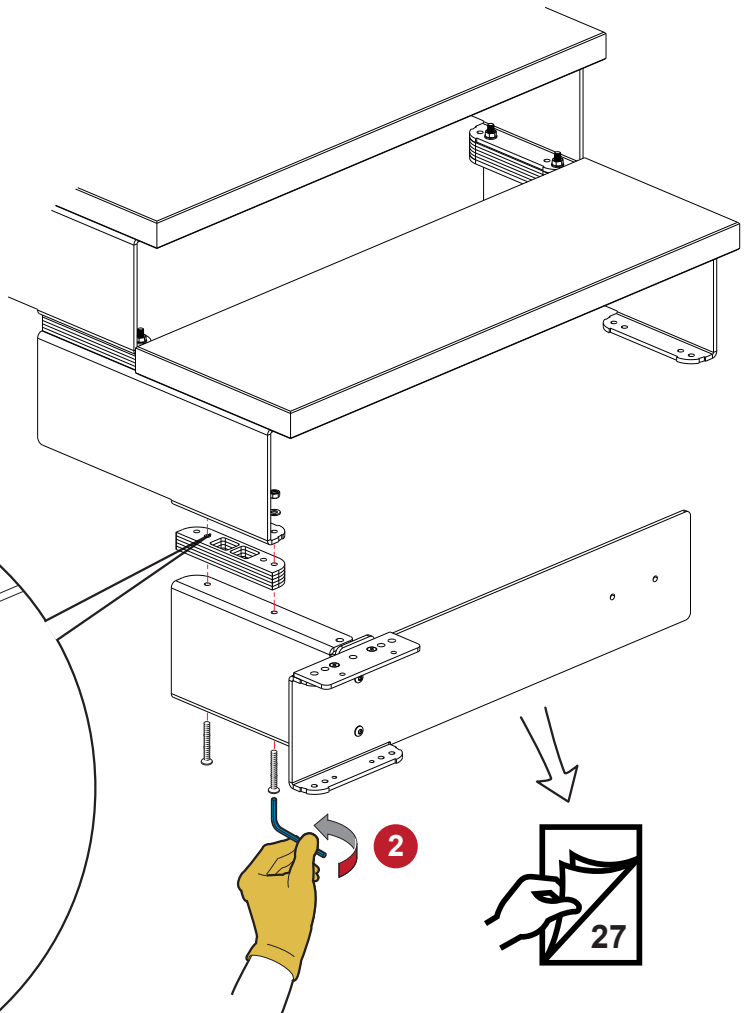
	Composity structure and steps installation manual. Configuration I - L	Code	Rev. 1	Date 29-07-2016
--	---	------	------------------	---------------------------



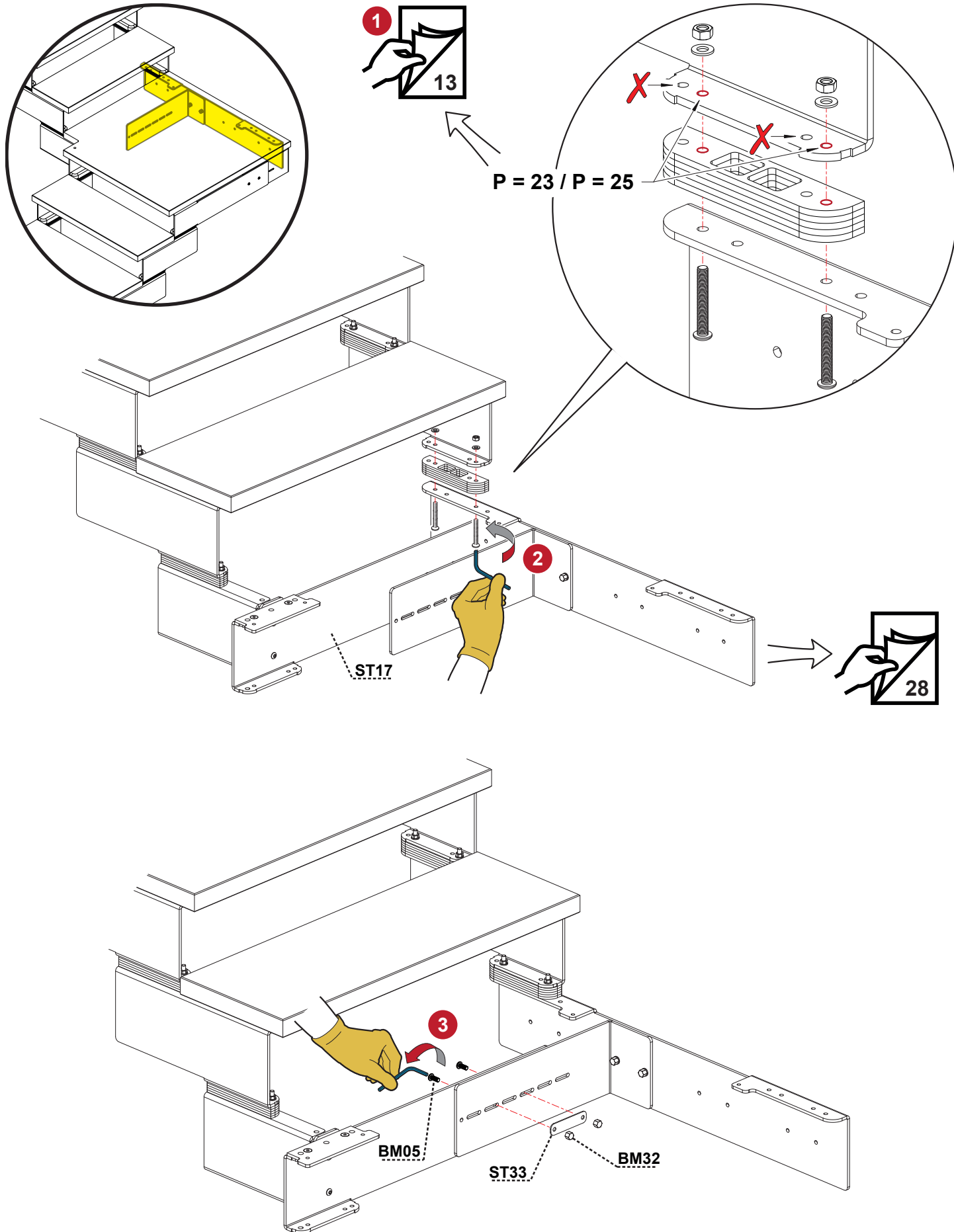
COUNTERCLOCKWISE

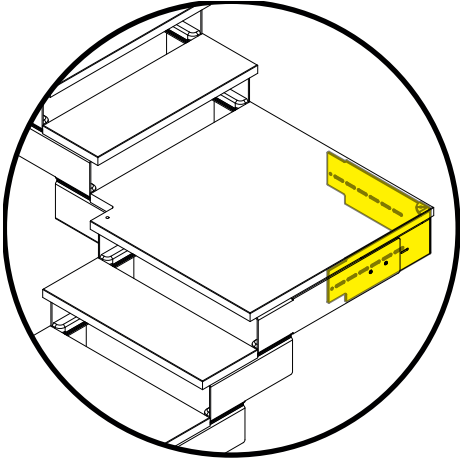


P = 23 / P = 25

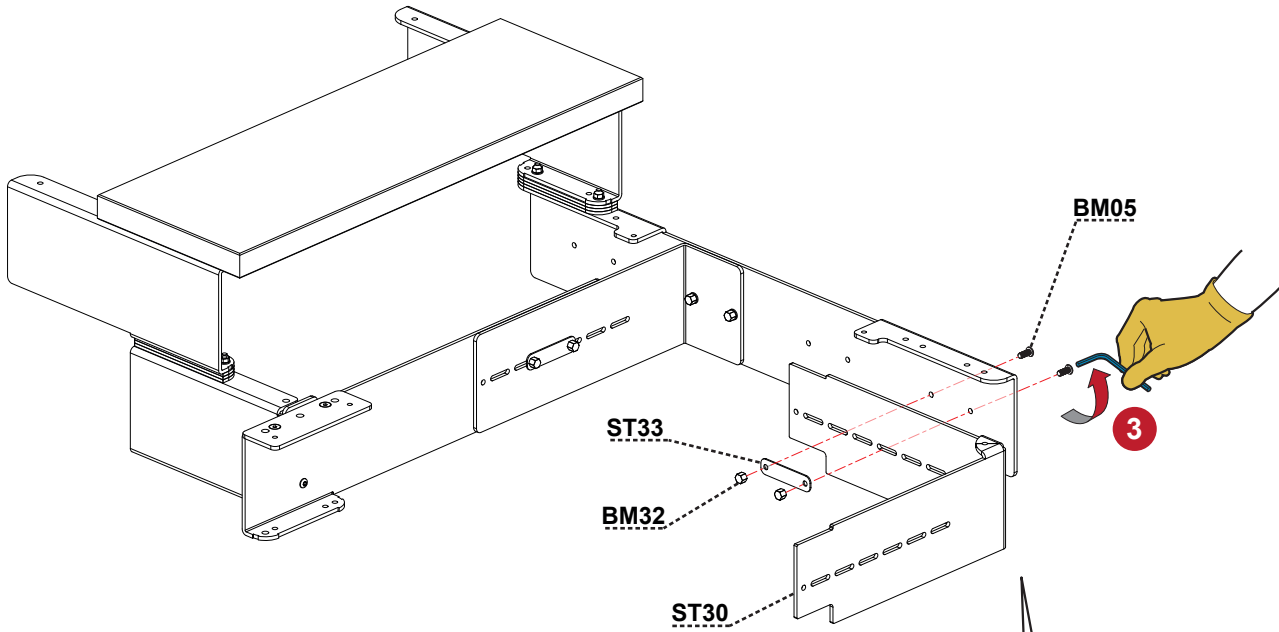


	Composity structure and steps installation manual. Configuration I - L	Code	Rev. 1	Date 29-07-2016
--	---	------	------------------	---------------------------

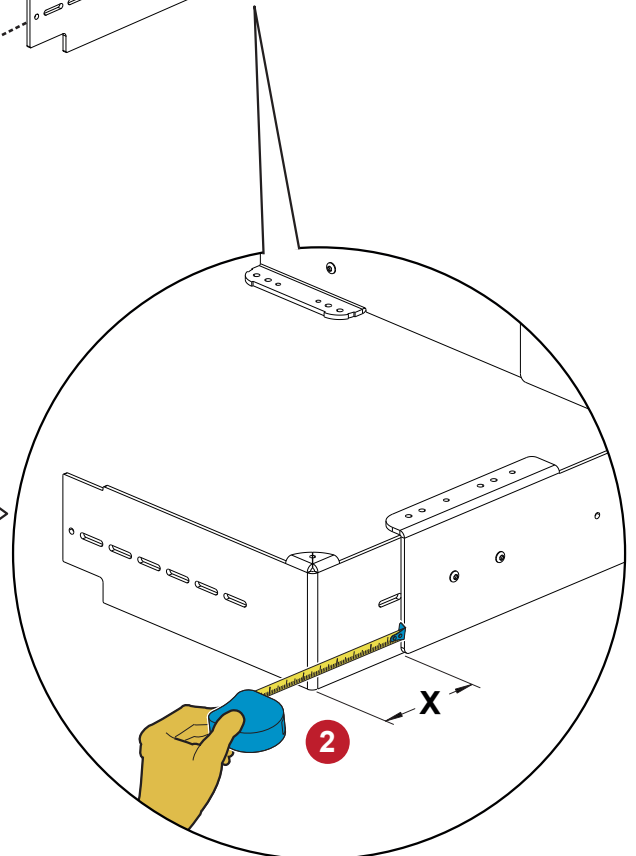


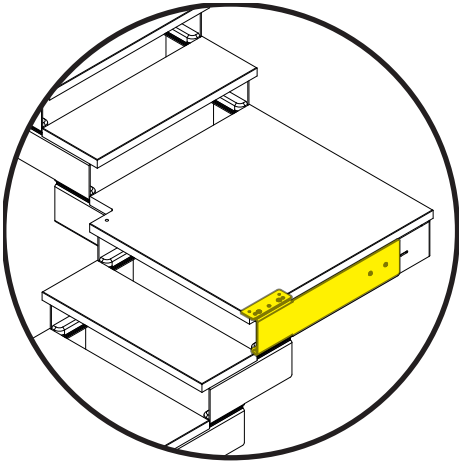


COUNTERCLOCKWISE



L	X
74	5.7
79	10.7
84	15.7
89	20.7
94	25.7

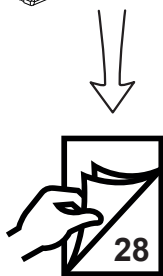
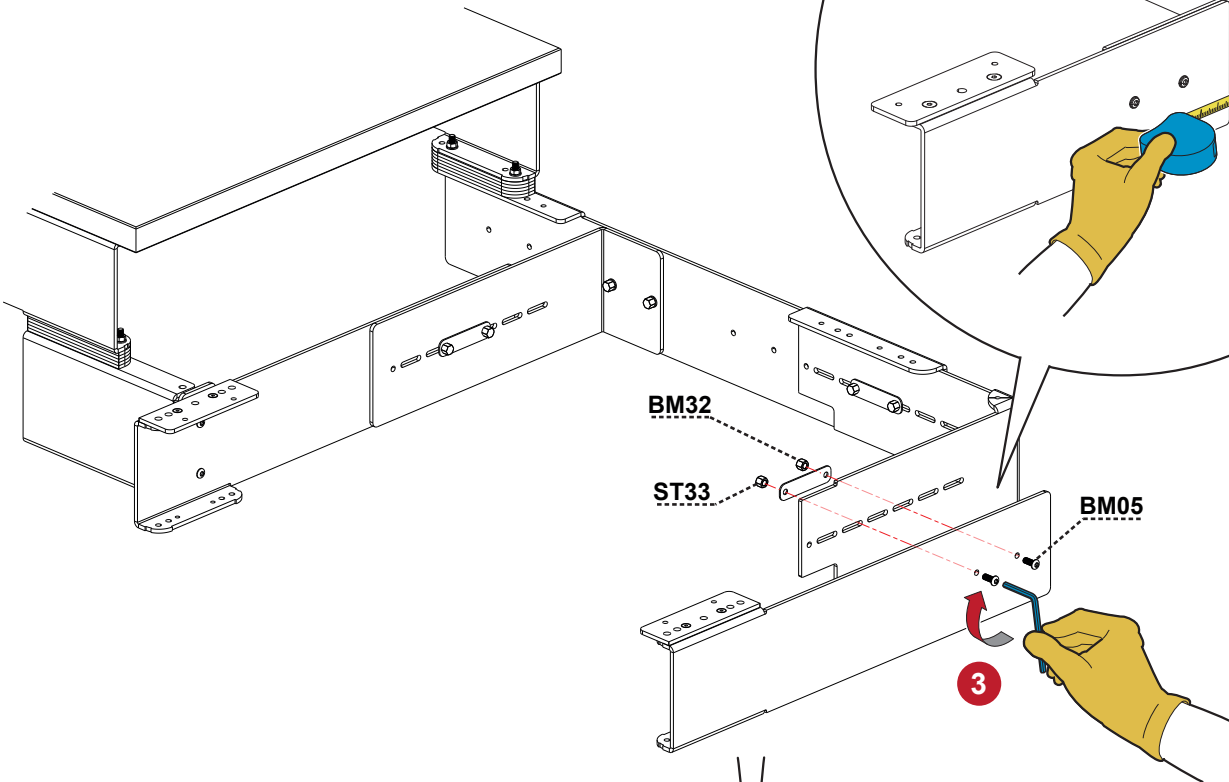
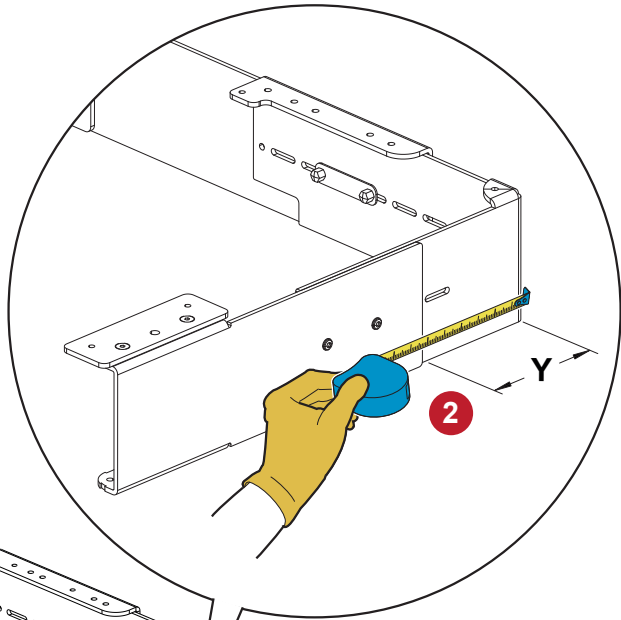
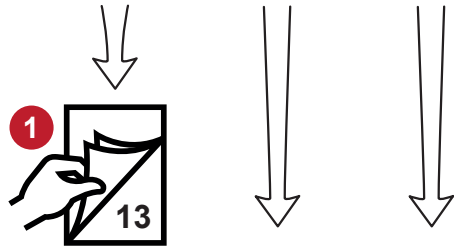




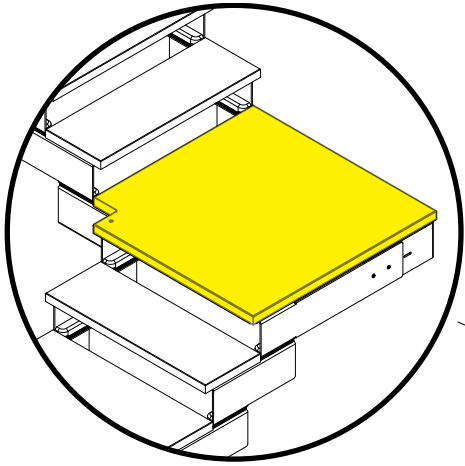
	P = 23	P = 25
L	Y	Y
74	5.1	7.1
79	10.1	12.1
84	15.1	17.1
89	20.1	22.1
94	25.1	27.1



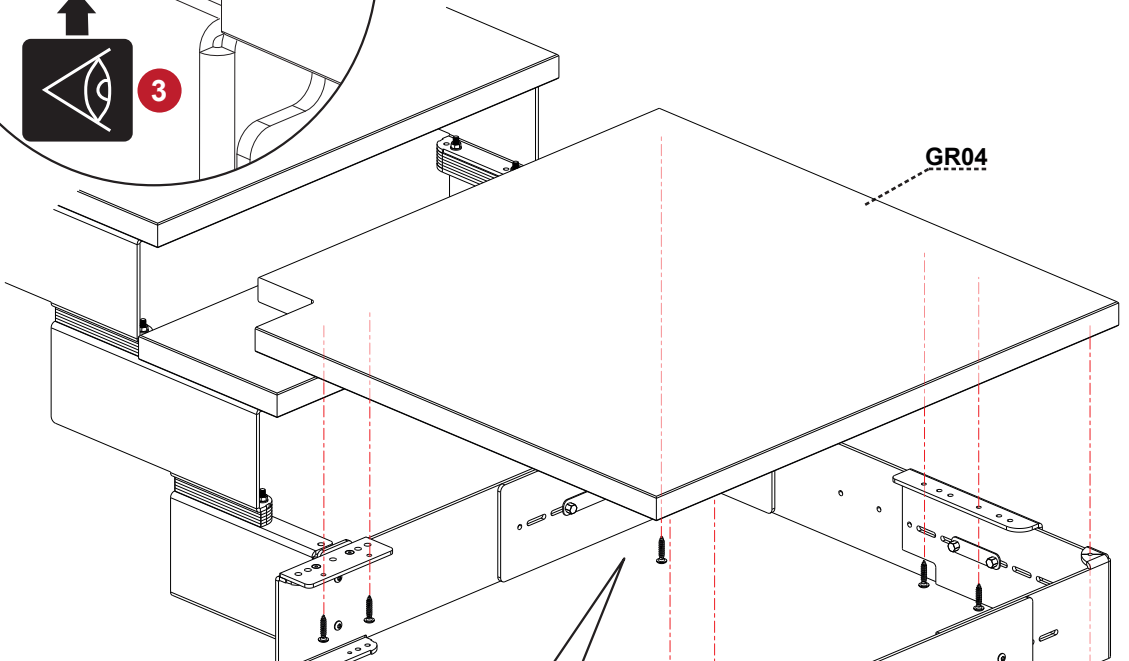
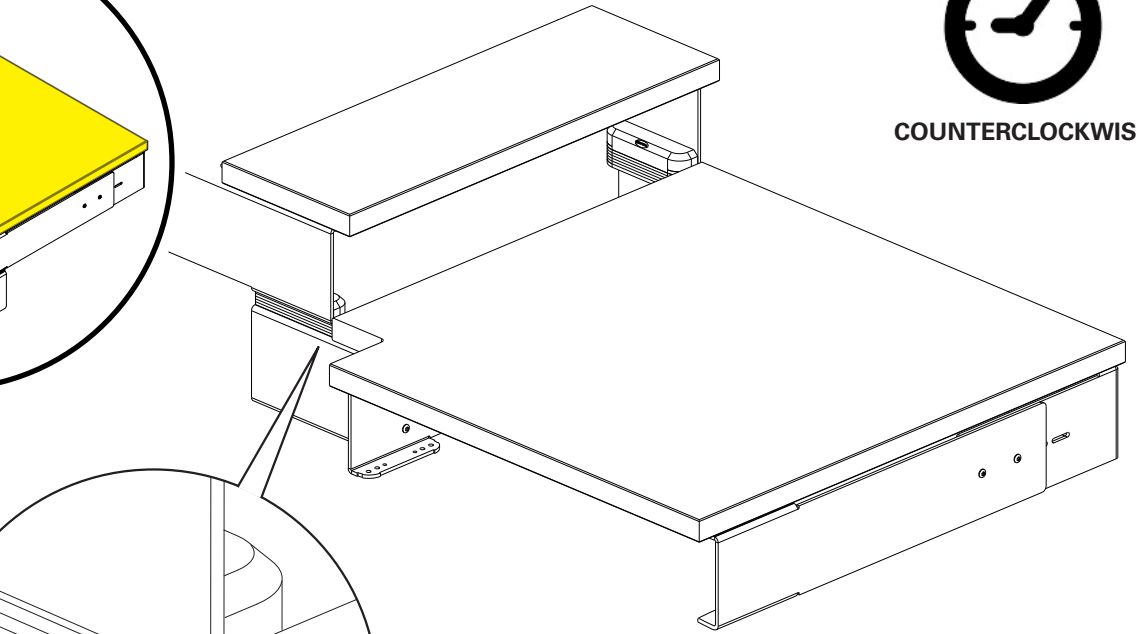
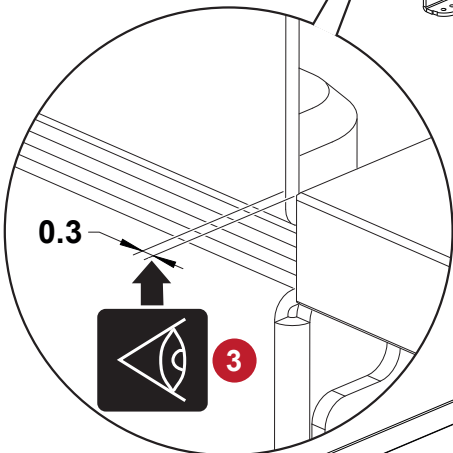
COUNTERCLOCKWISE



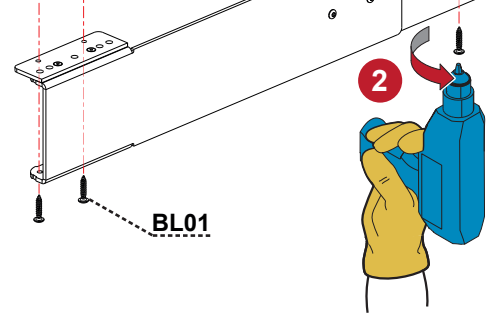
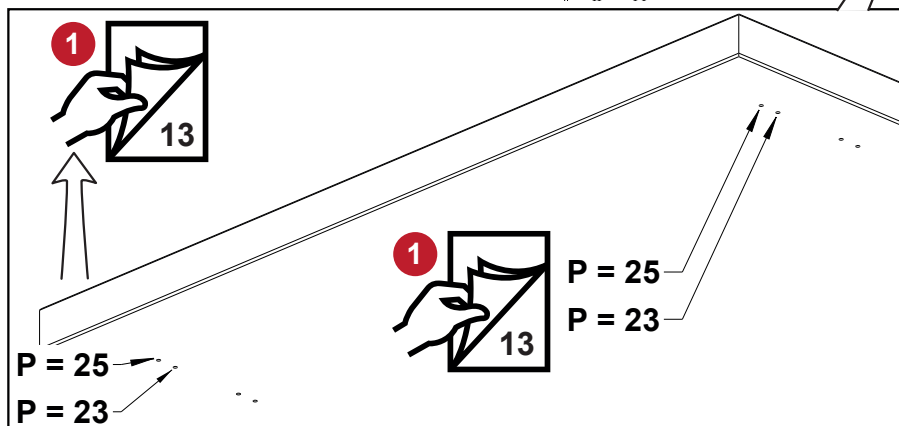
	Composity structure and steps installation manual. Configuration I - L	Code	Rev. 1	Date 29-07-2016
--	---	------	------------------	---------------------------



COUNTERCLOCKWISE



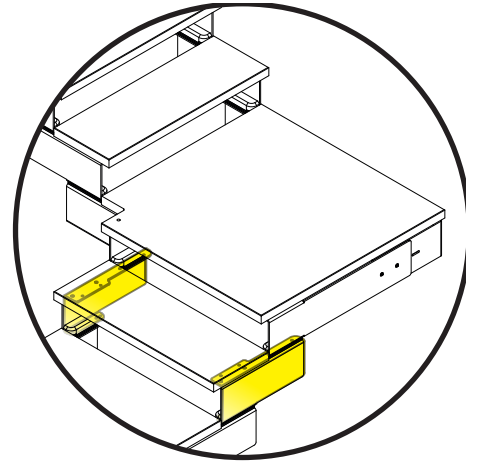
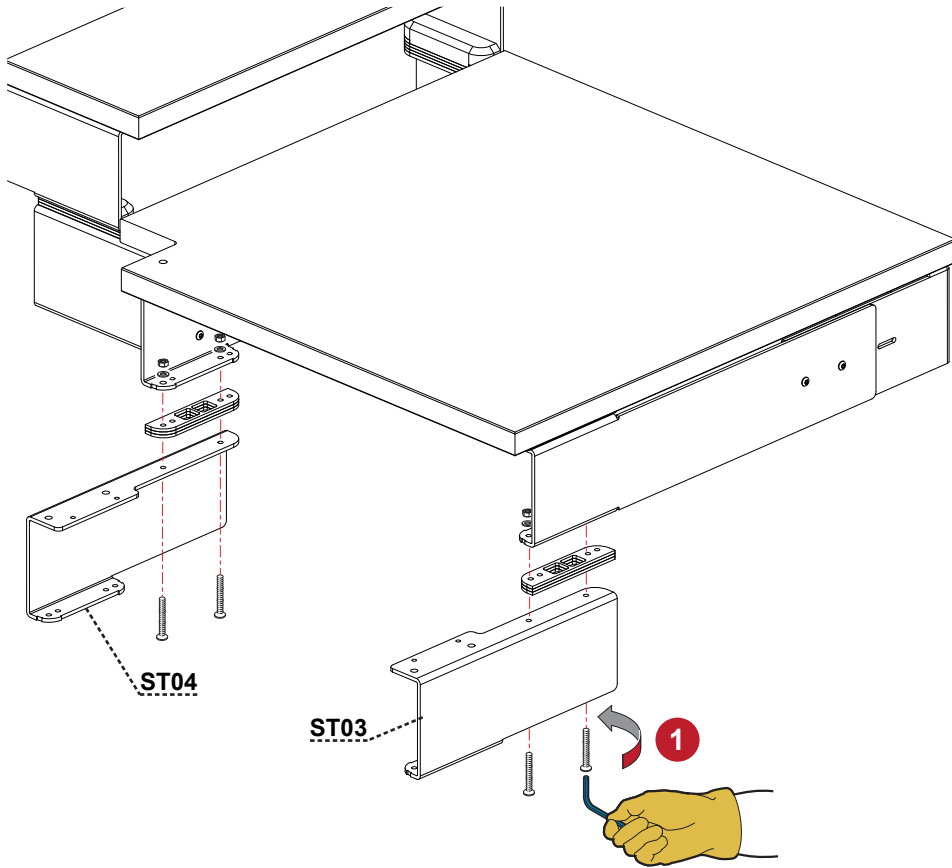
GR04



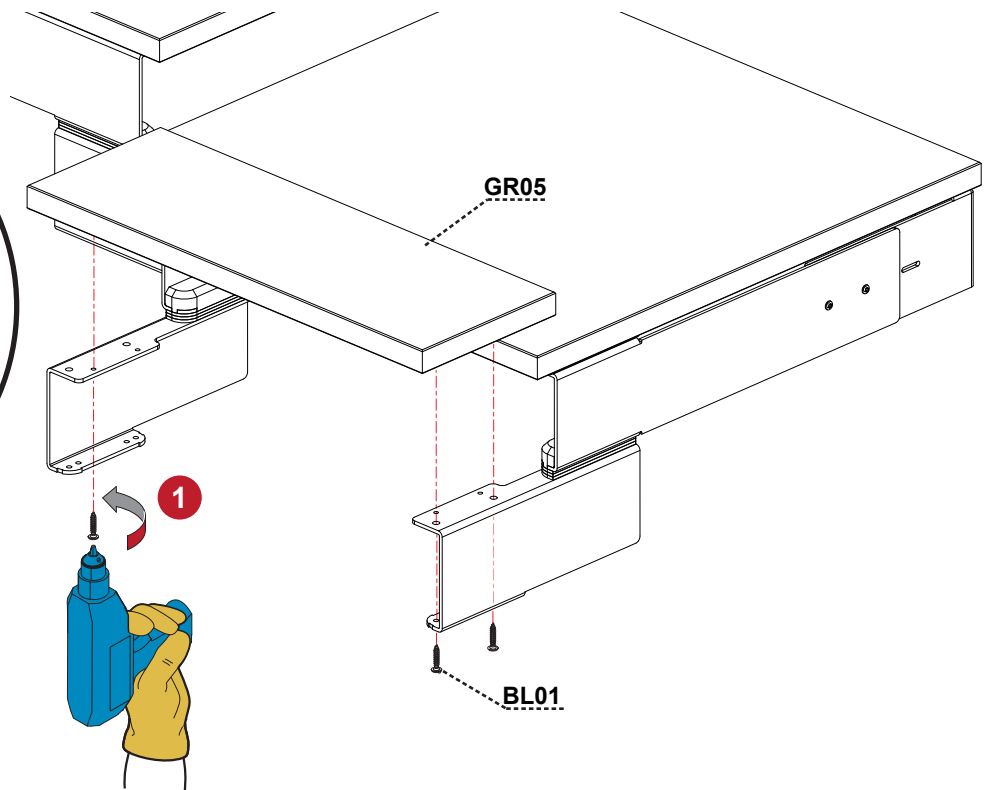
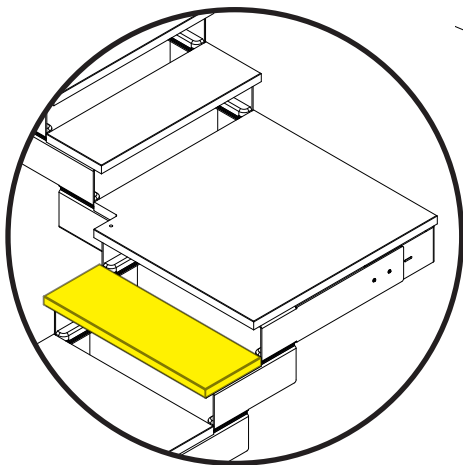
BL01



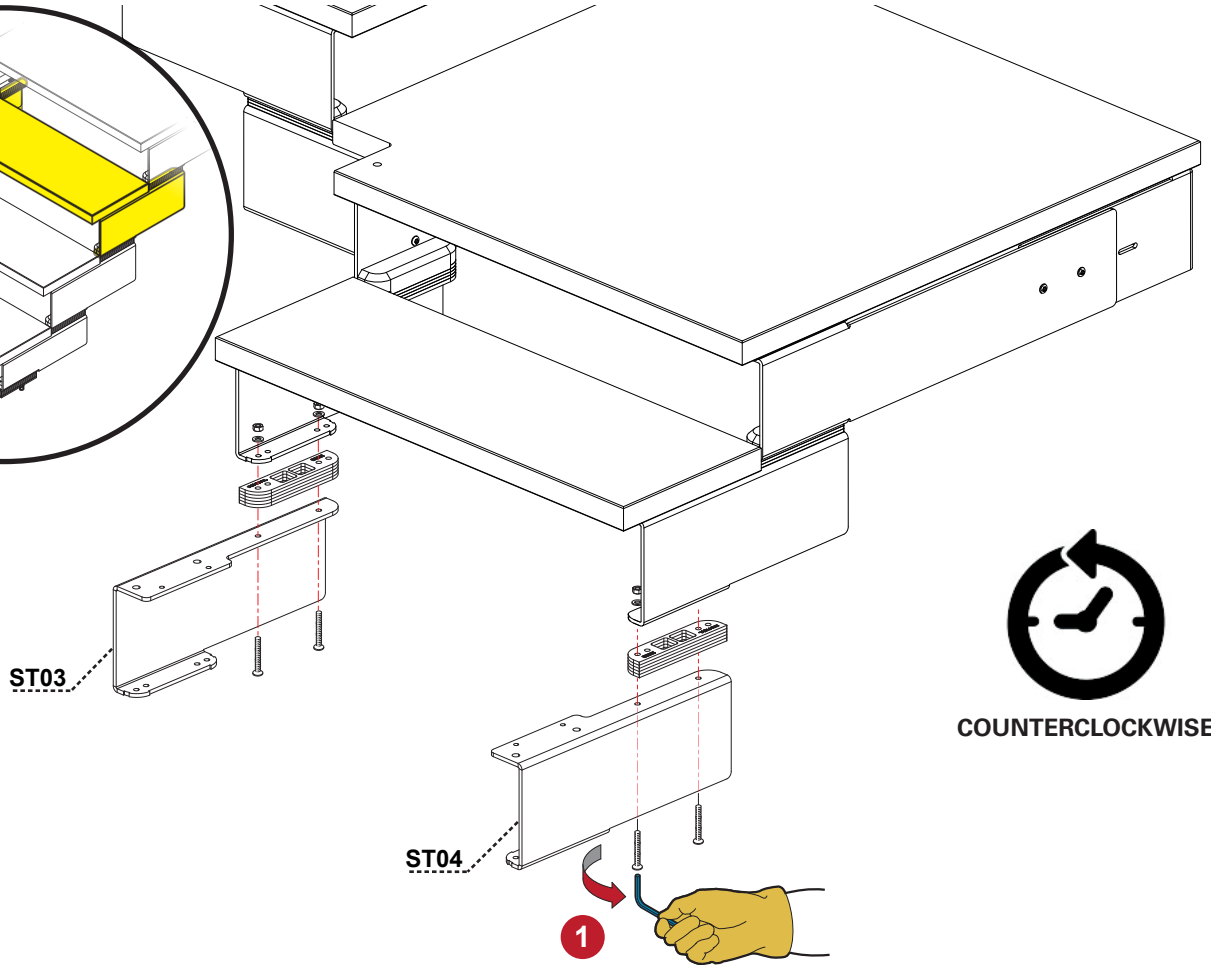
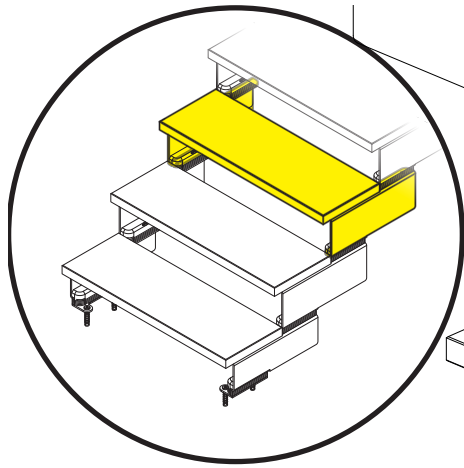
	Composity structure and steps installation manual. Configuration I - L	Code	Rev. 1	Date 29-07-2016
--	---	------	------------------	---------------------------



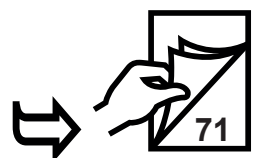
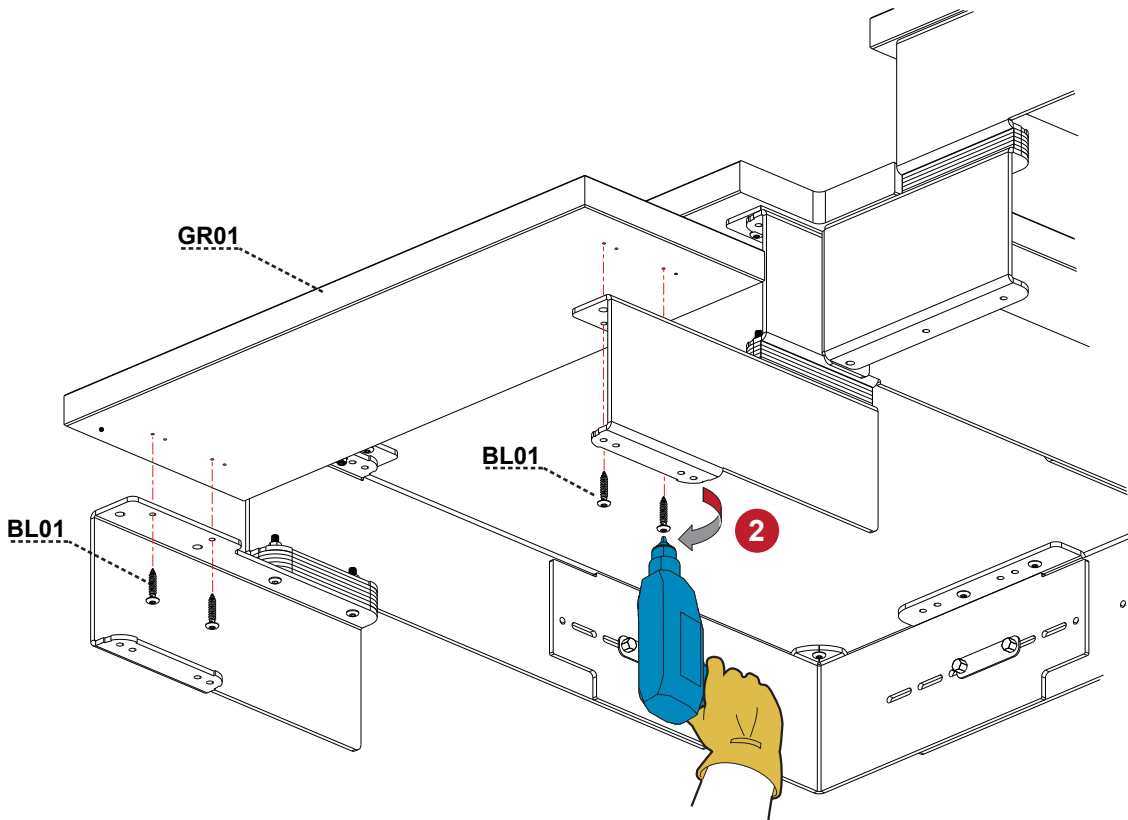
COUNTERCLOCKWISE



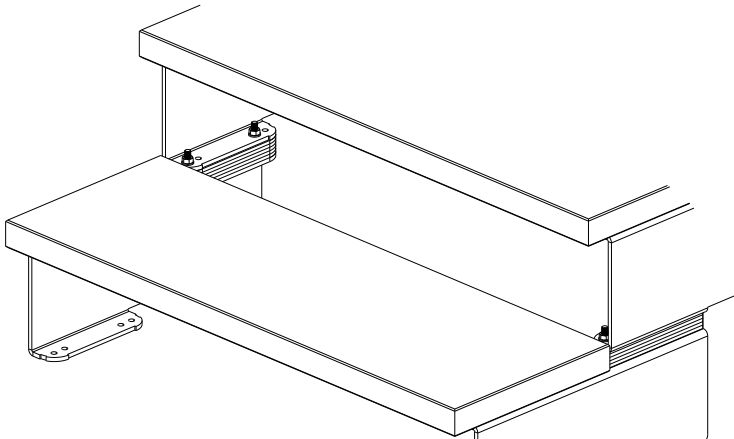
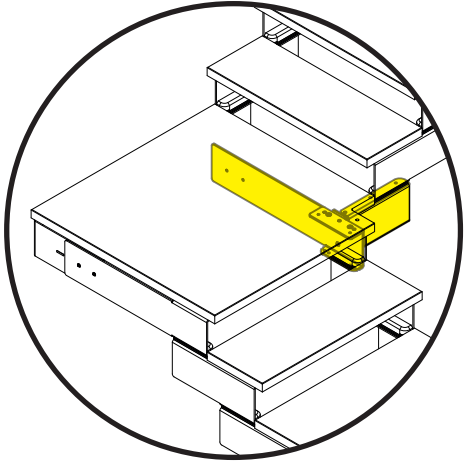
	Composity structure and steps installation manual. Configuration I - L	Code	Rev. 1	Date 29-07-2016
--	---	------	------------------	---------------------------



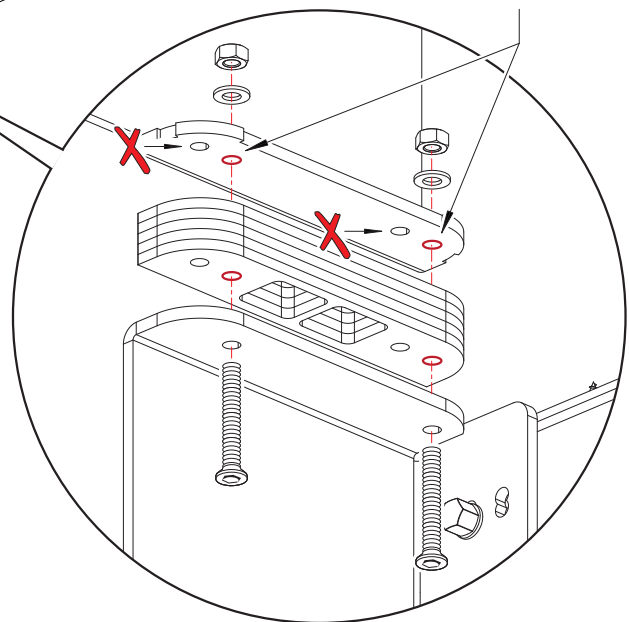
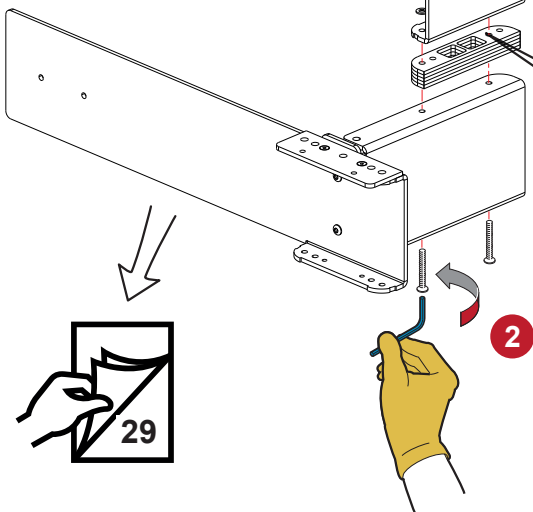
COUNTERCLOCKWISE



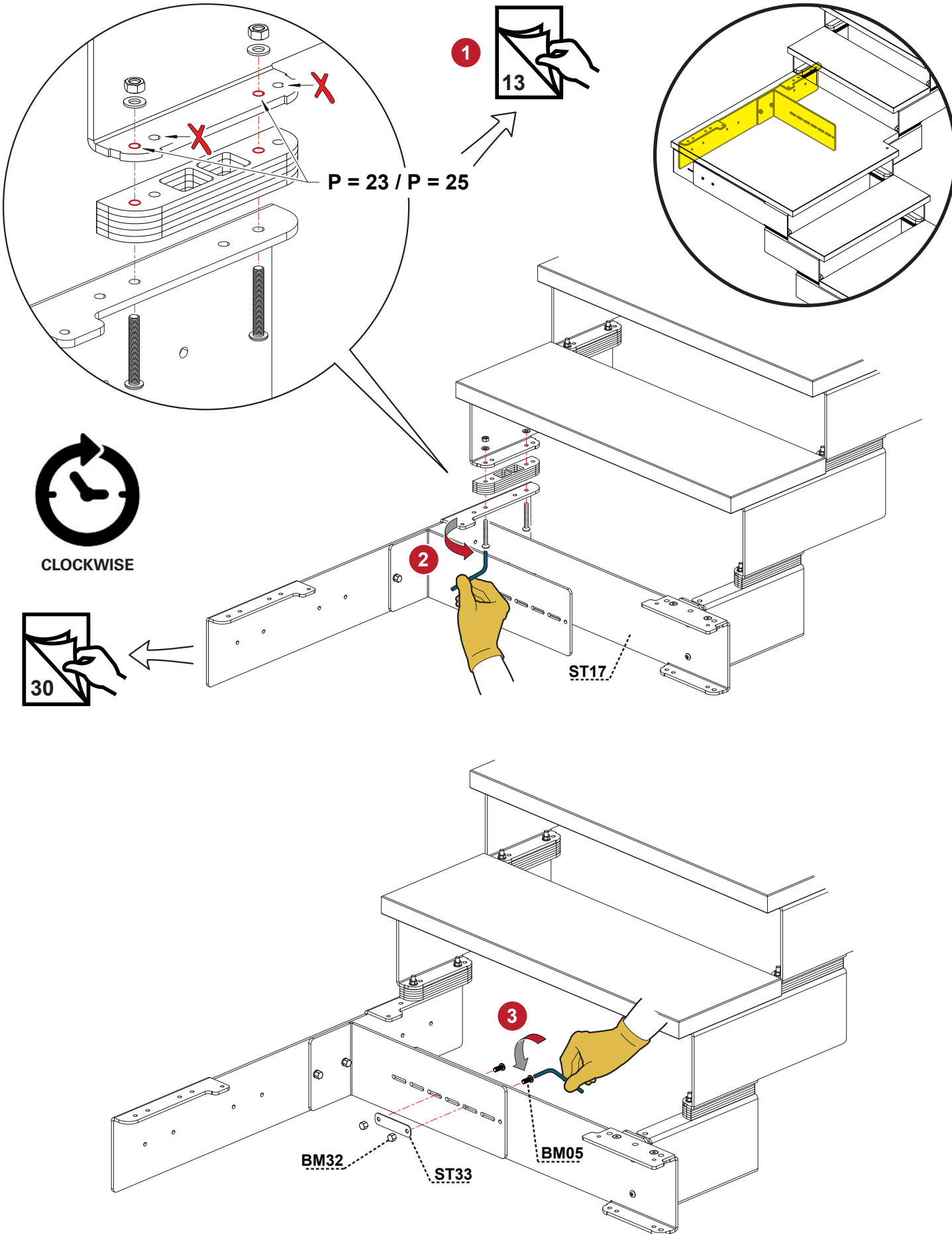
	Composity structure and steps installation manual. Configuration I - L	Code	Rev. 1	Date 29-07-2016
--	---	------	------------------	---------------------------

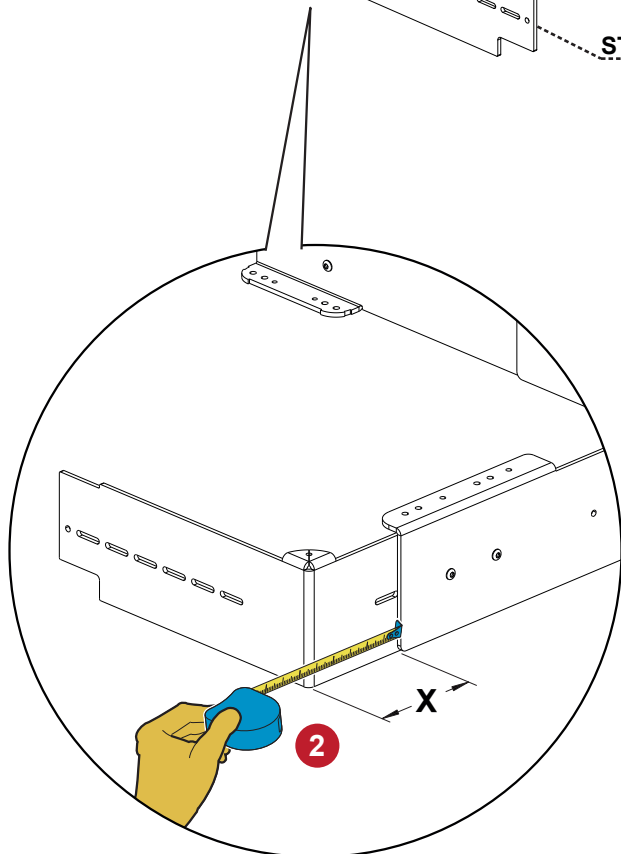
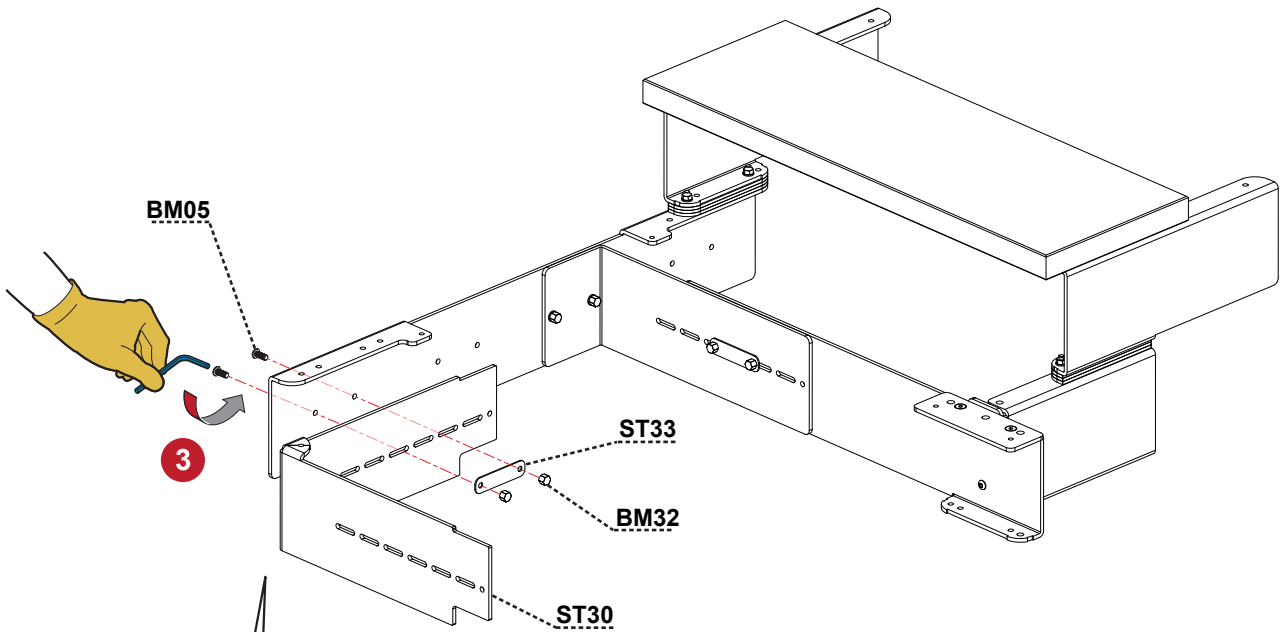
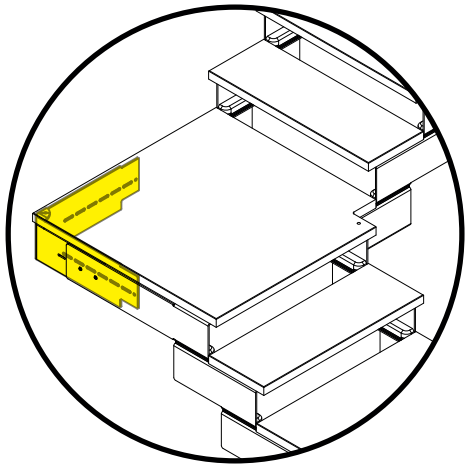


P = 23 / P = 25



	Composity structure and steps installation manual. Configuration I - L	Code	Rev. 1	Date 29-07-2016
--	---	------	------------------	---------------------------



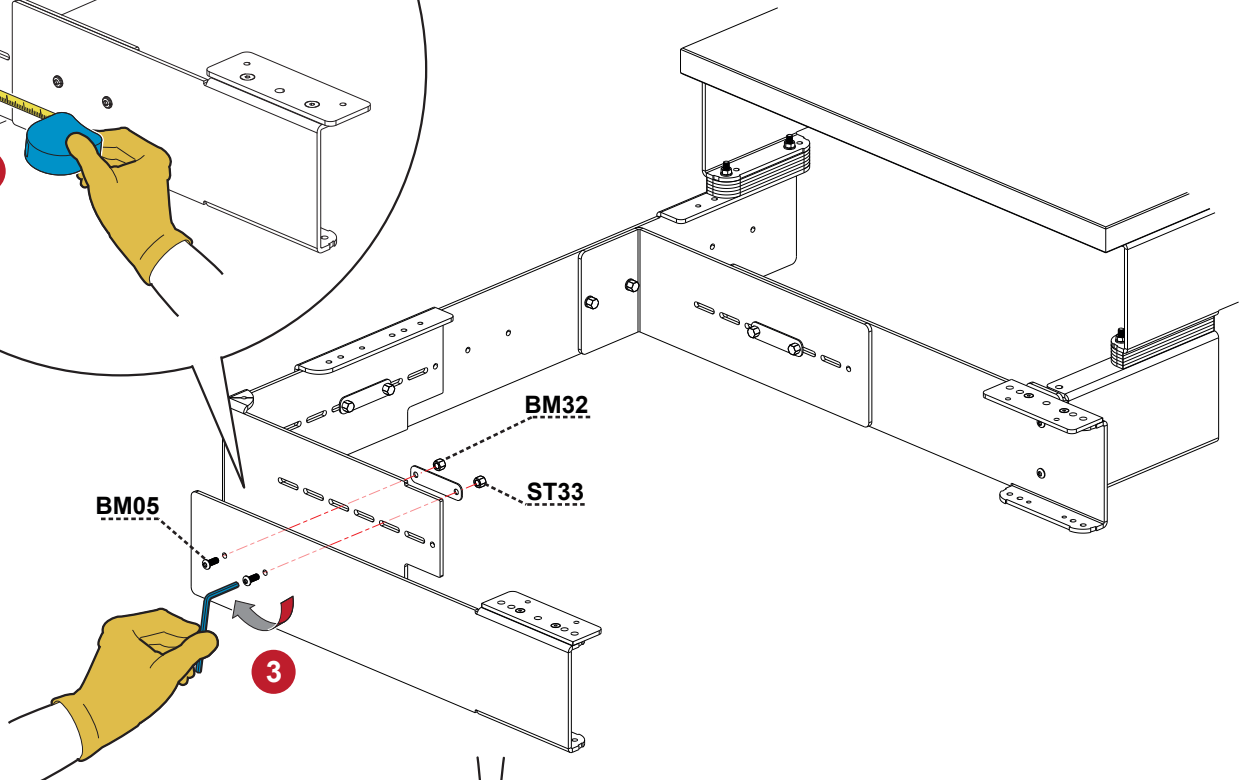
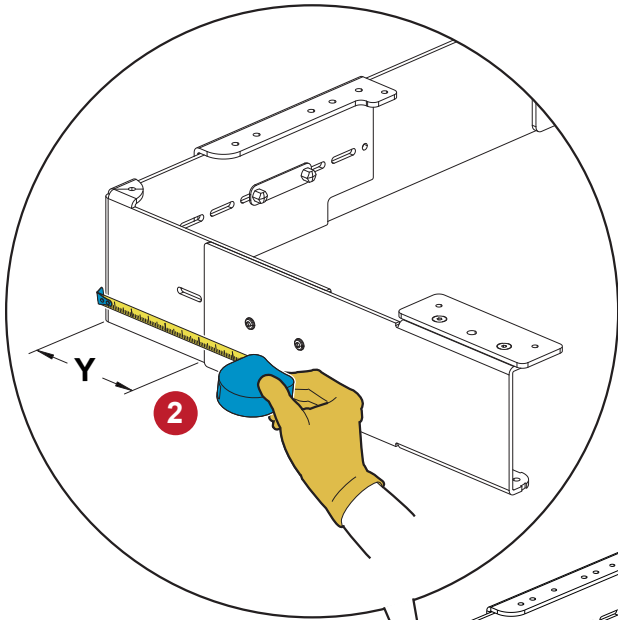
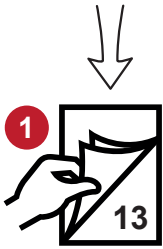
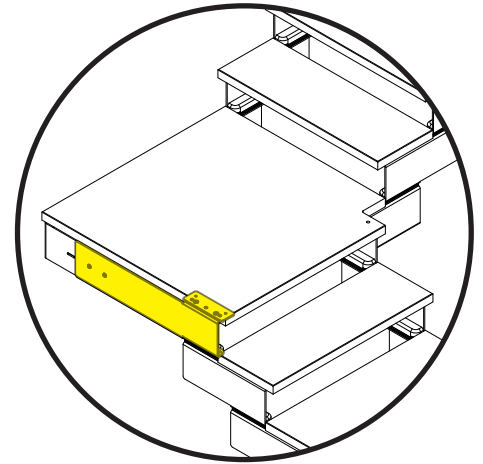


L	X
74	5.7
79	10.7
84	15.7
89	20.7
94	25.7



	Composity structure and steps installation manual. Configuration I - L	Code	Rev. 1	Date 29-07-2016
--	--	------	------------------	---------------------------

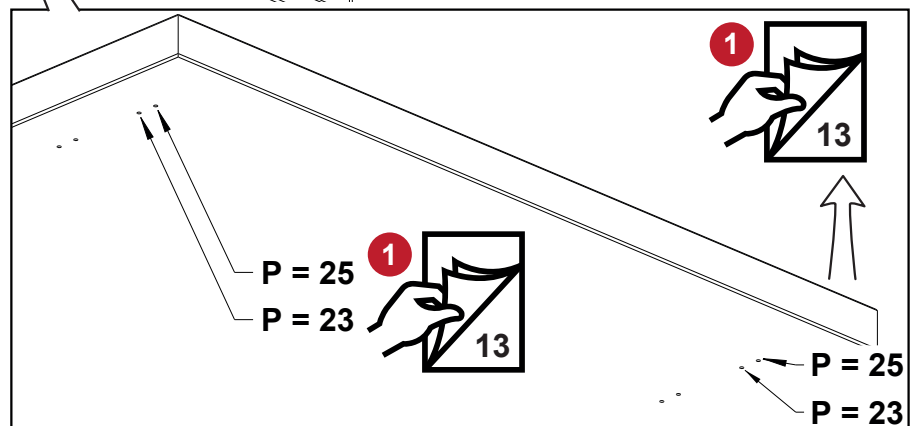
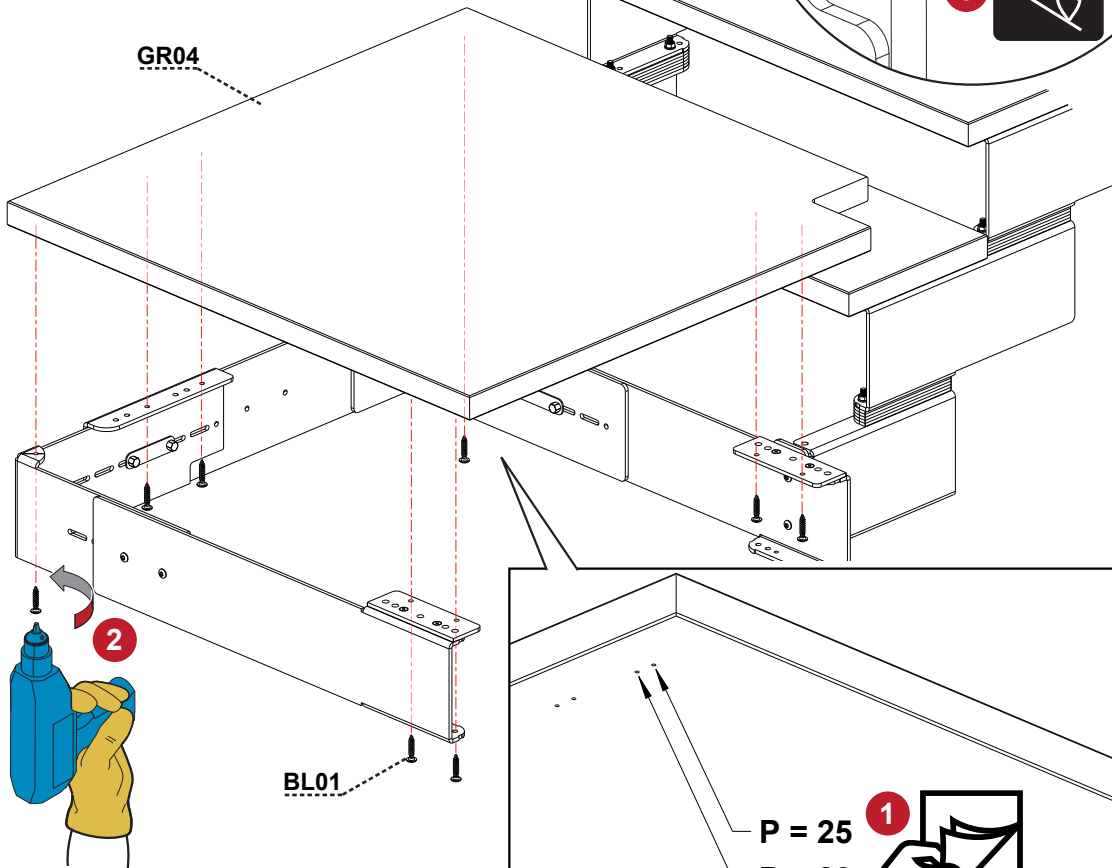
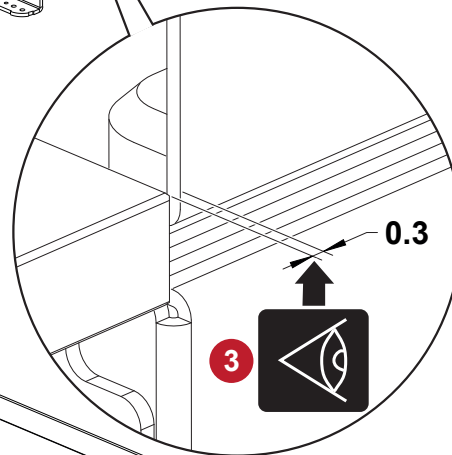
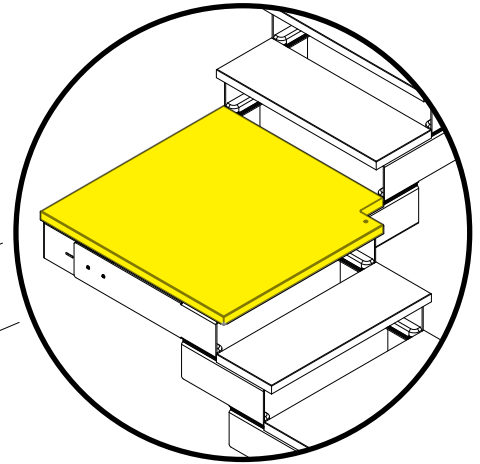
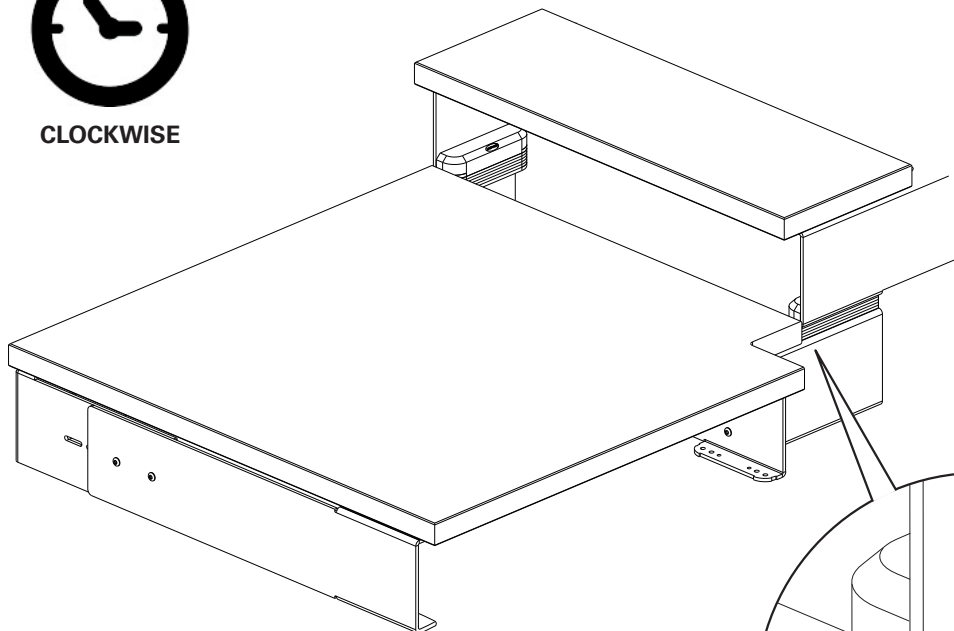
	P = 23	P = 25
L	Y	Y
74	5.1	7.1
79	10.1	12.1
84	15.1	17.1
89	20.1	22.1
94	25.1	27.1



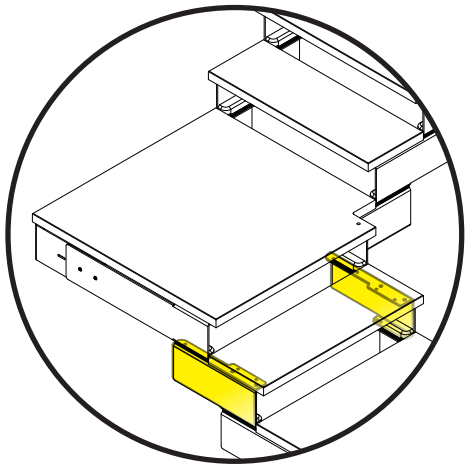
	Composity structure and steps installation manual. Configuration I - L	Code	Rev. 1	Date 29-07-2016
--	---	------	------------------	---------------------------



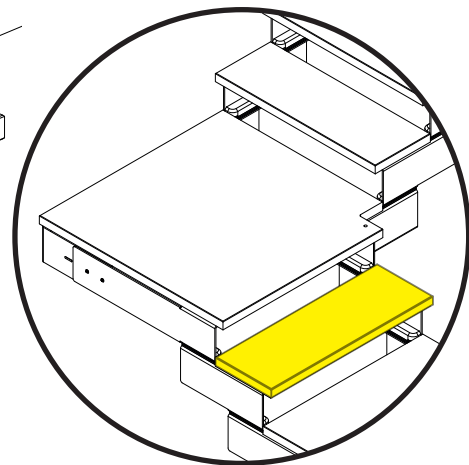
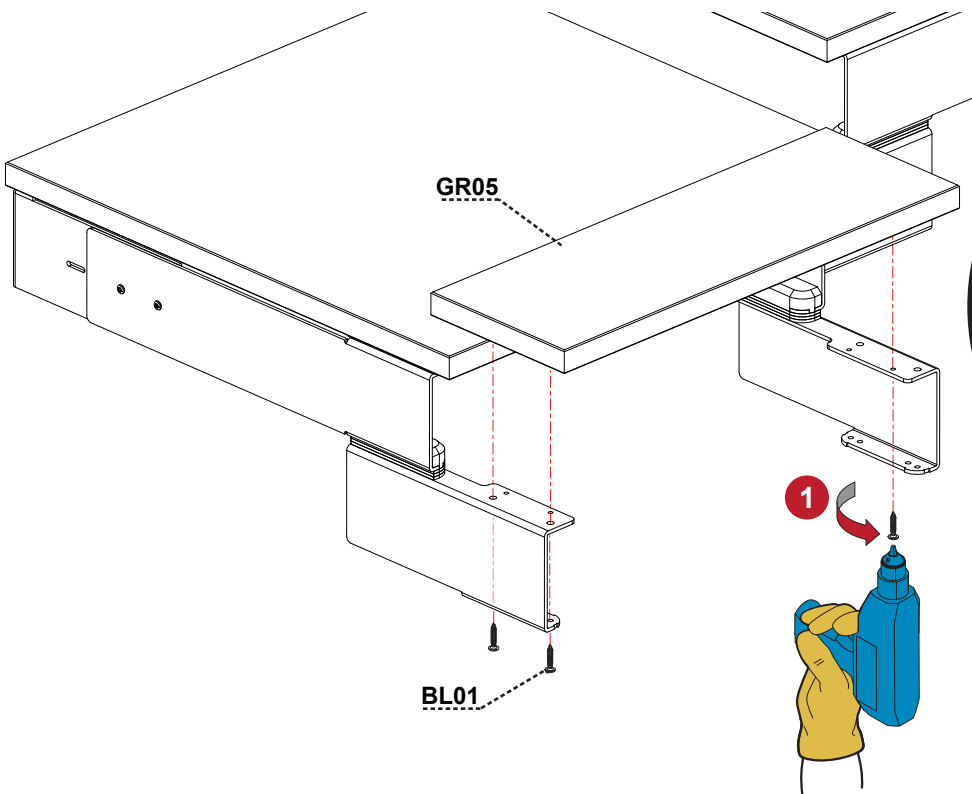
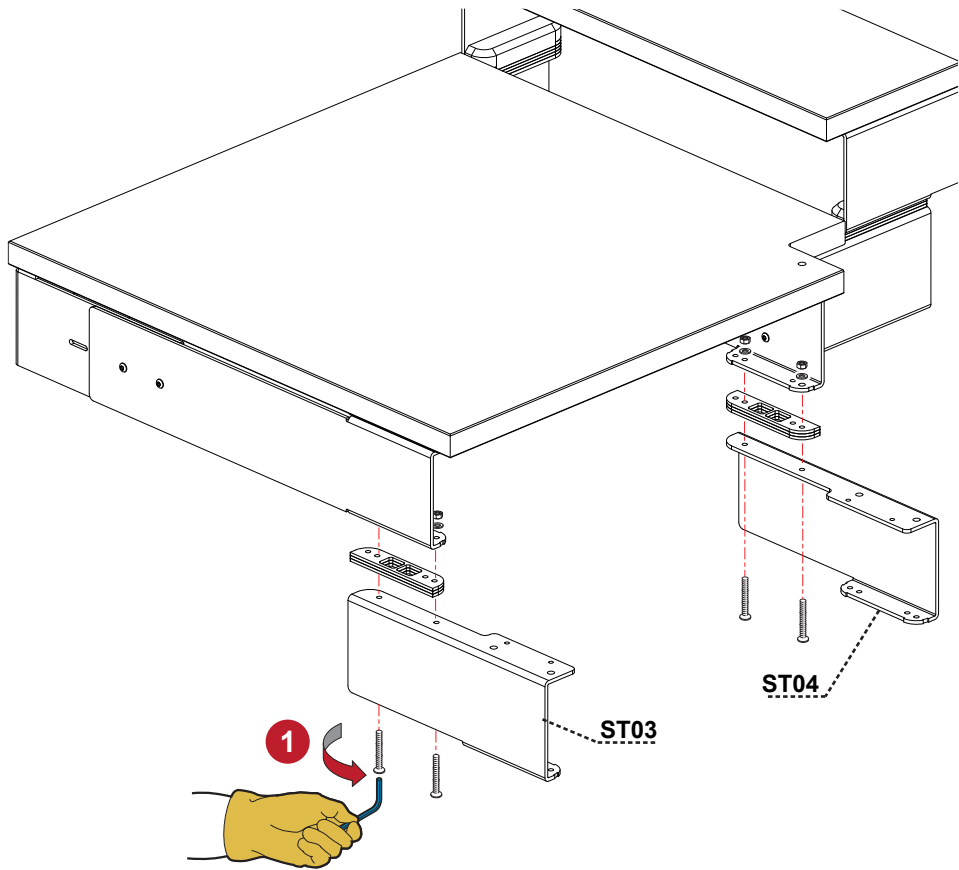
CLOCKWISE



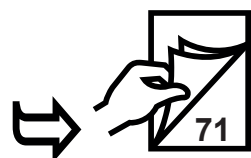
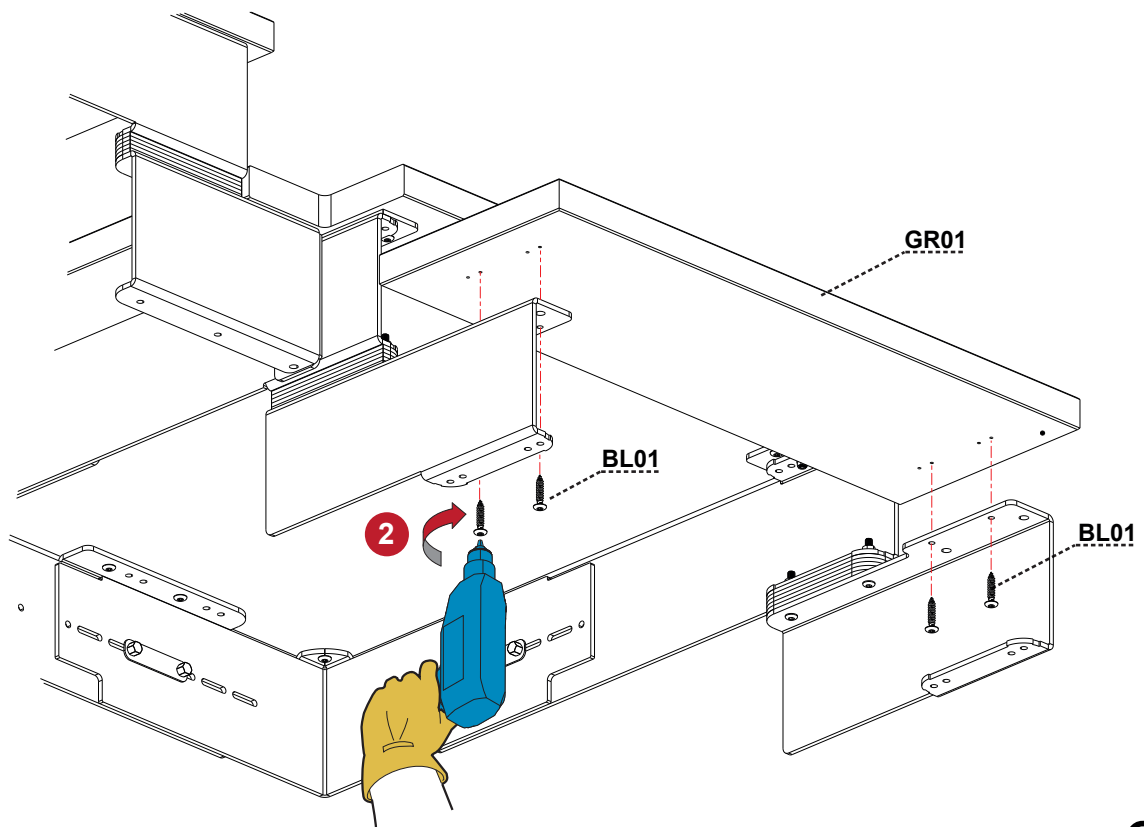
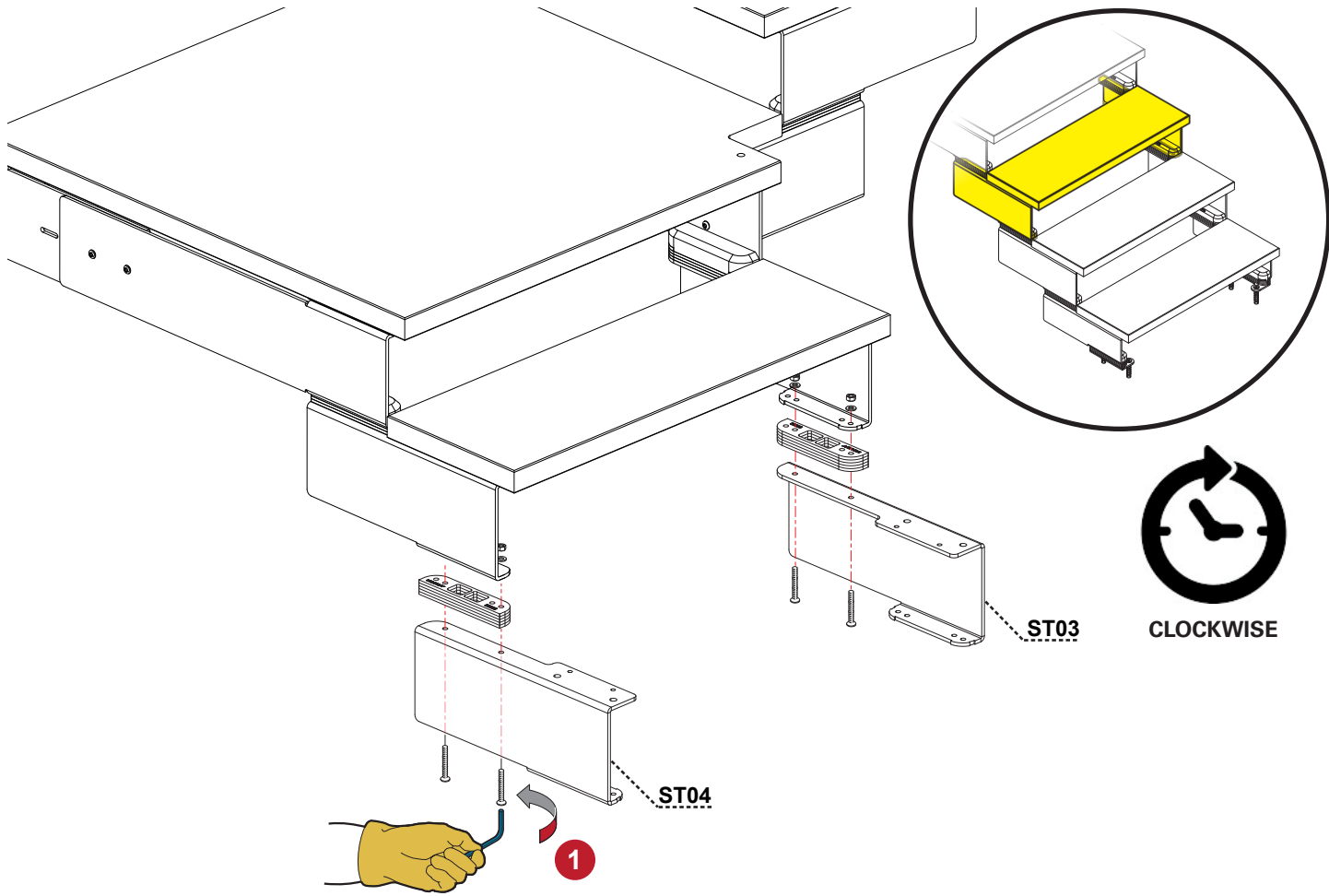
	Composity structure and steps installation manual. Configuration I - L	Code	Rev. 1	Date 29-07-2016
--	---	------	------------------	---------------------------



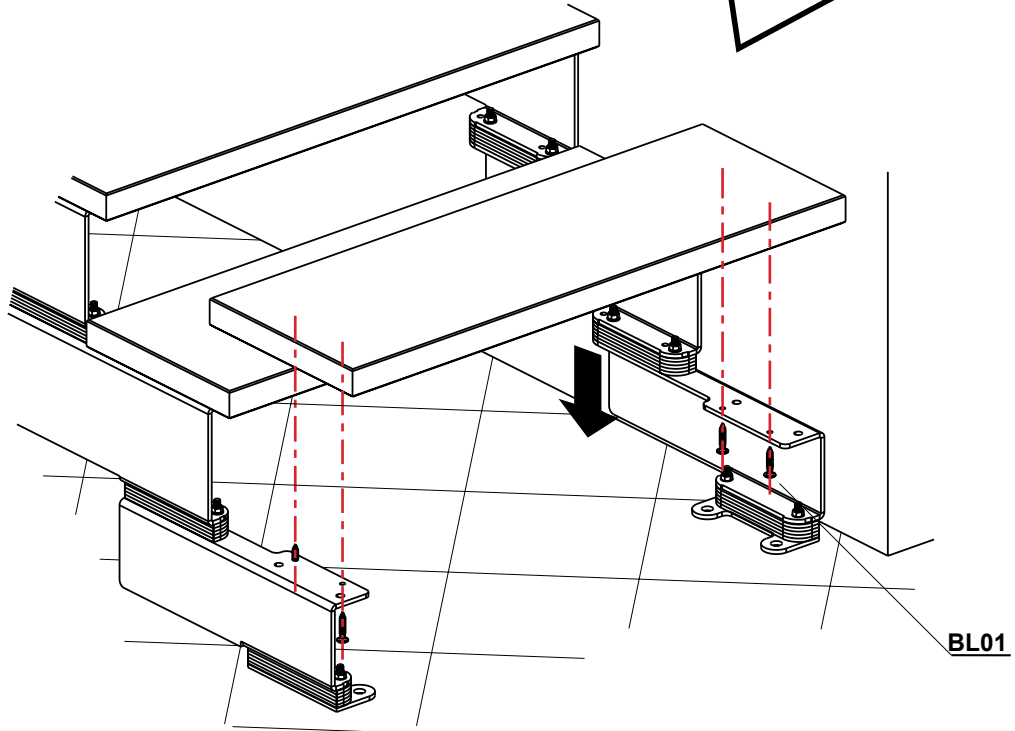
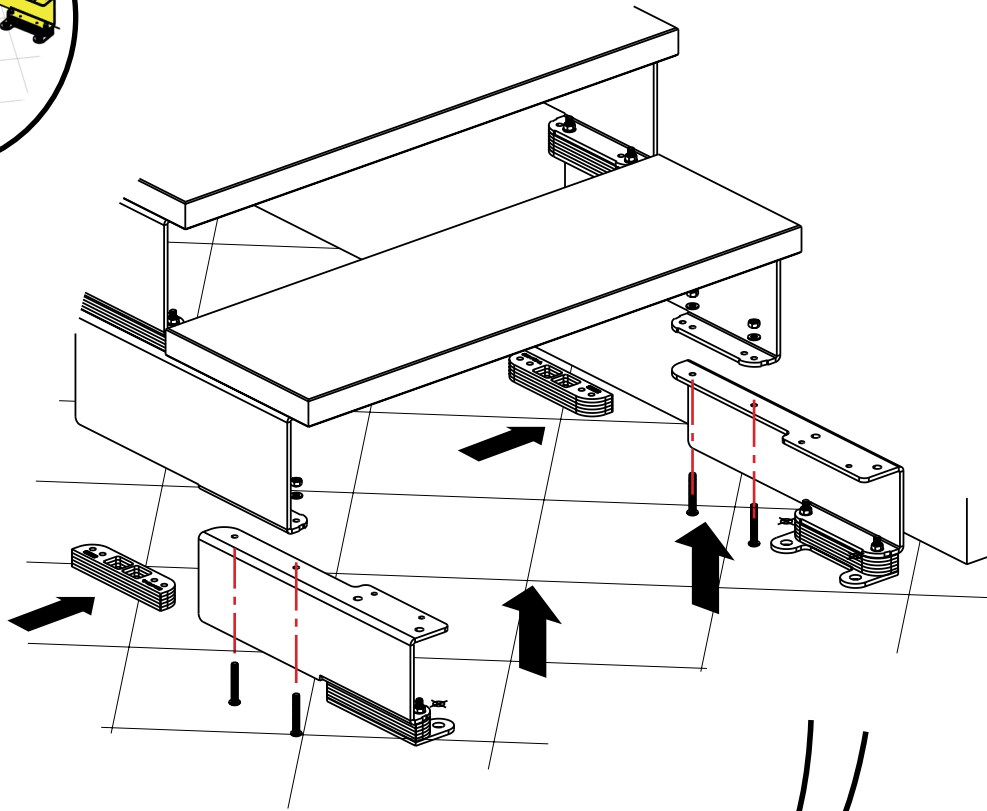
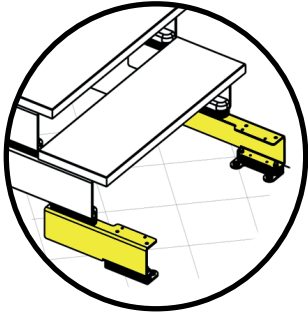
CLOCKWISE



	Composity structure and steps installation manual. Configuration I - L	Code	Rev. 1	Date 29-07-2016
--	---	------	------------------	---------------------------



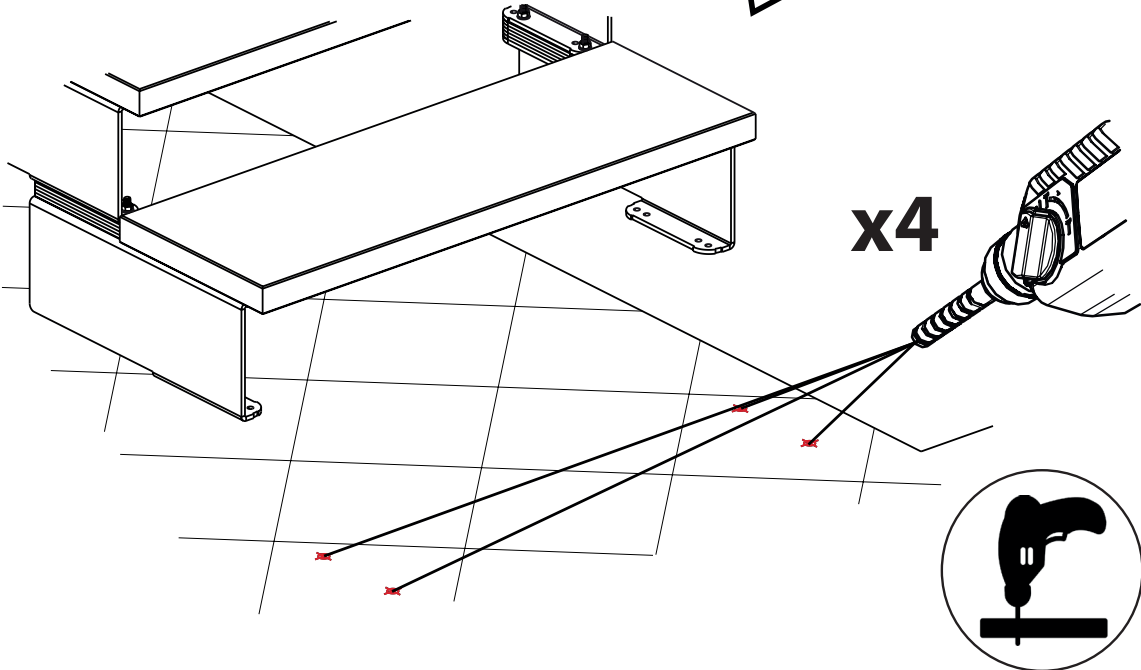
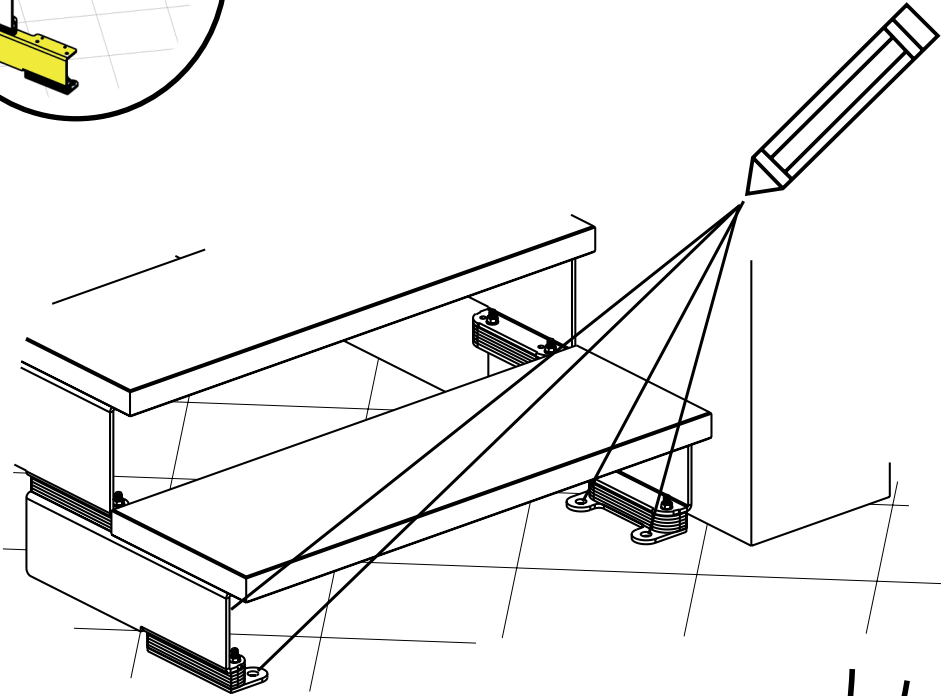
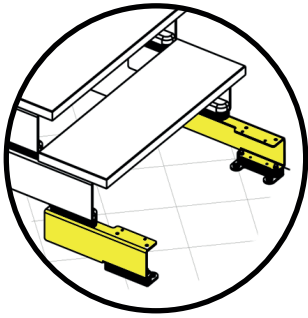
	Composity structure and steps installation manual. Configuration I - L	Code	Rev. 1	Date 29-07-2016
--	---	------	------------------	---------------------------



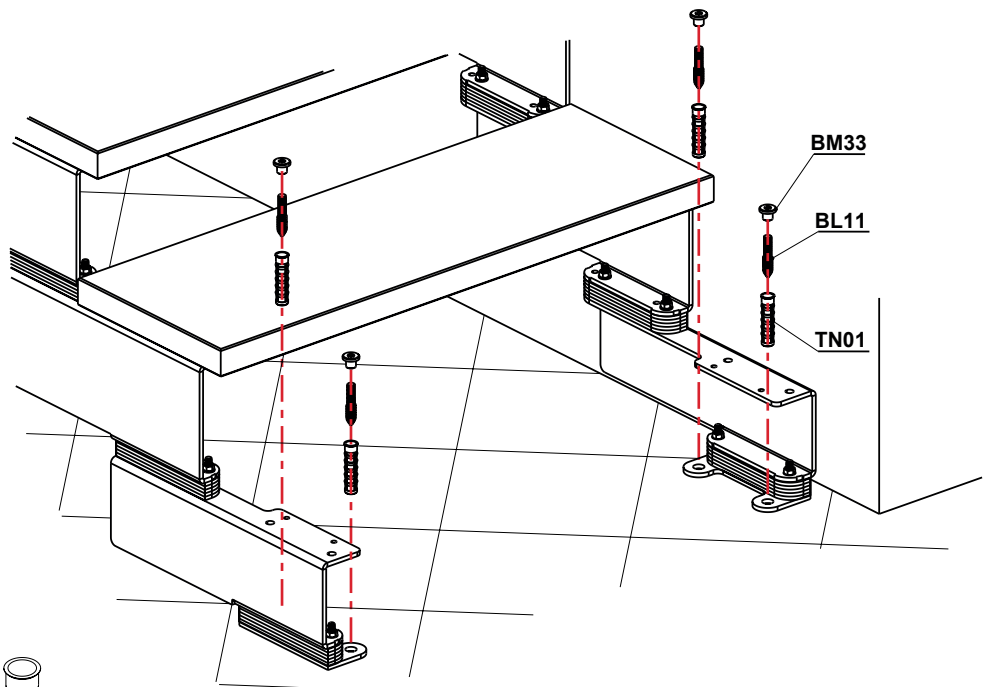
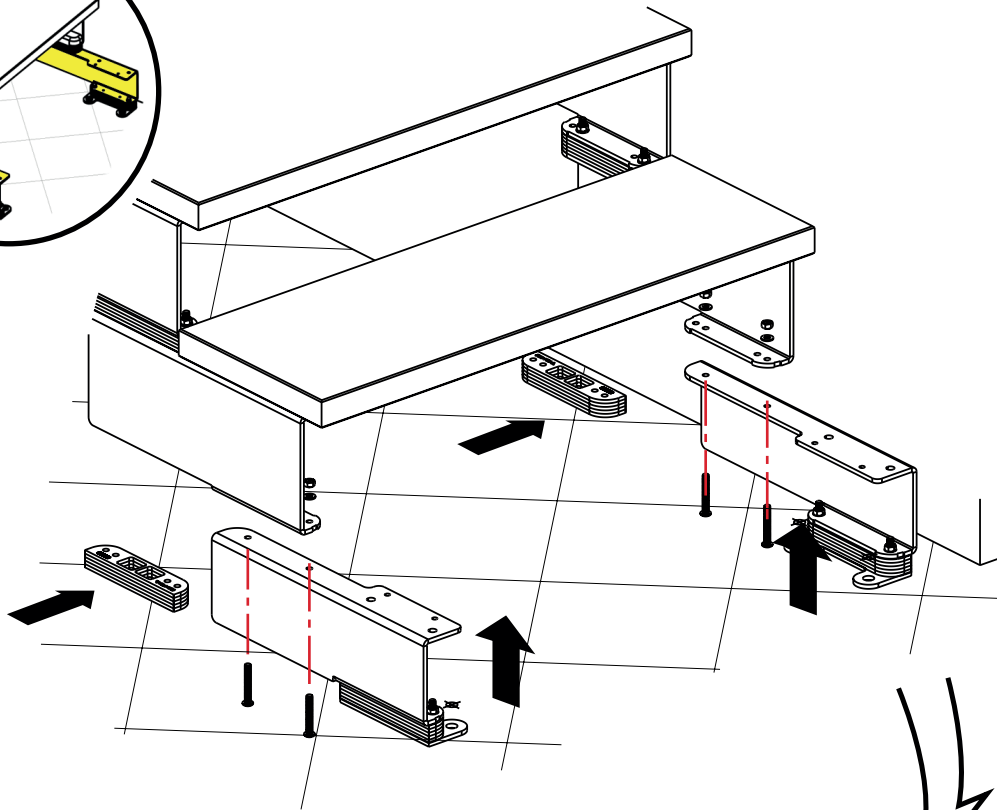
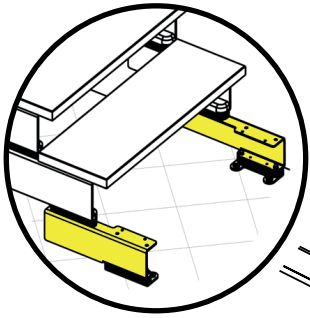
BL01



	Composity structure and steps installation manual. Configuration I - L	Code	Rev. 1	Date 29-07-2016
--	---	------	------------------	---------------------------



	Composity structure and steps installation manual. Configuration I - L	Code	Rev. 1	Date 29-07-2016
--	---	------	------------------	---------------------------



BM33

BL11

TN01



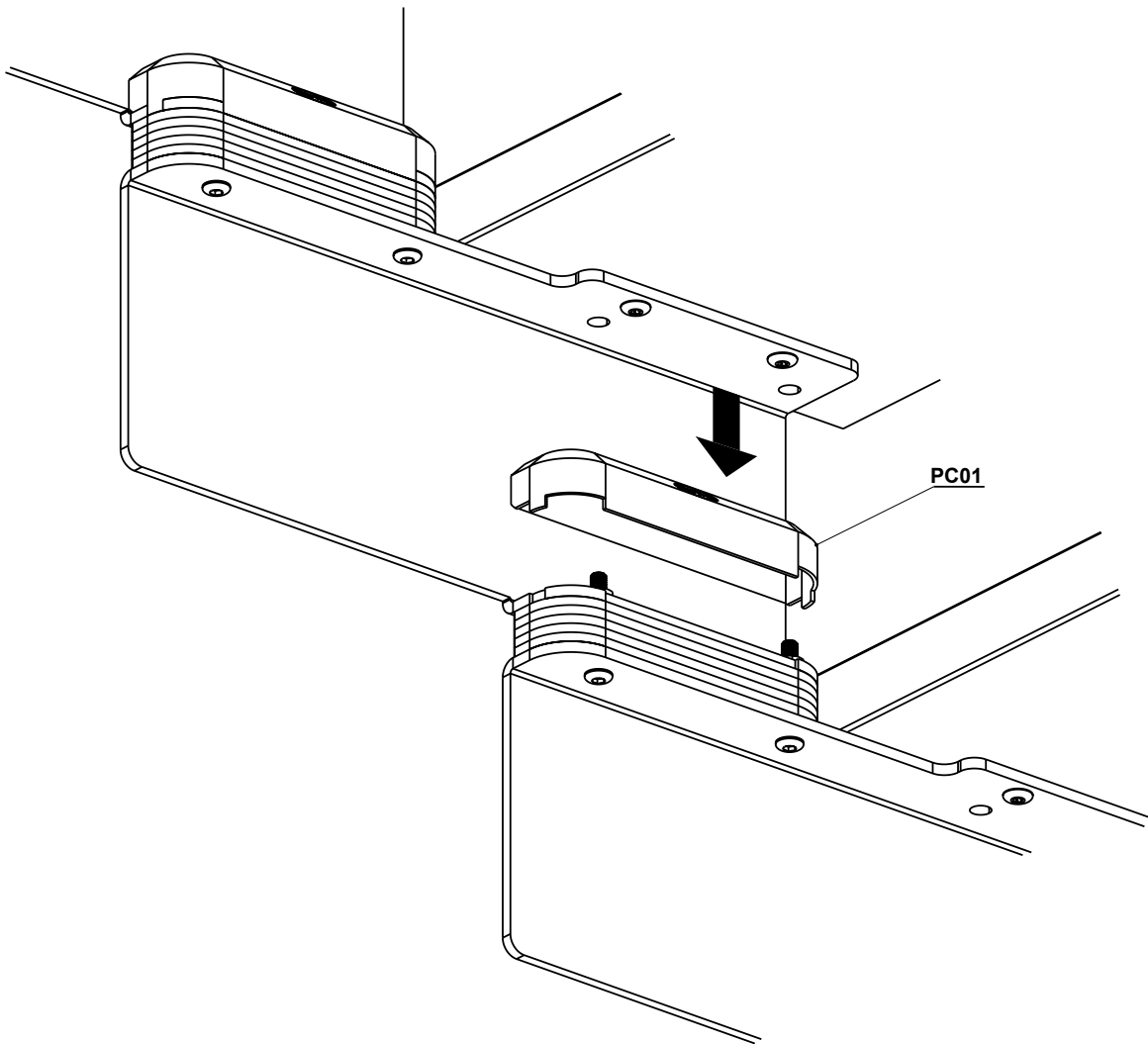
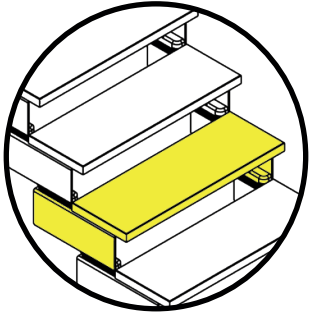
BL 11

BM 33

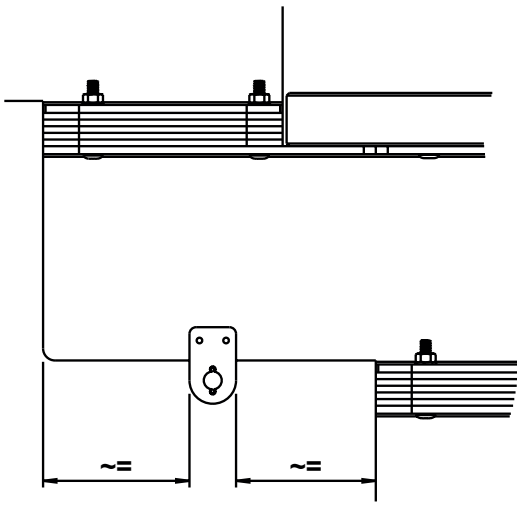
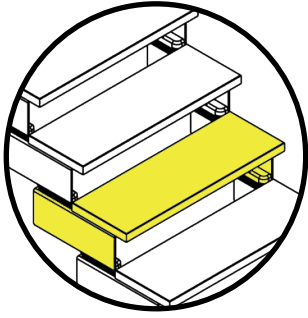
TN 01



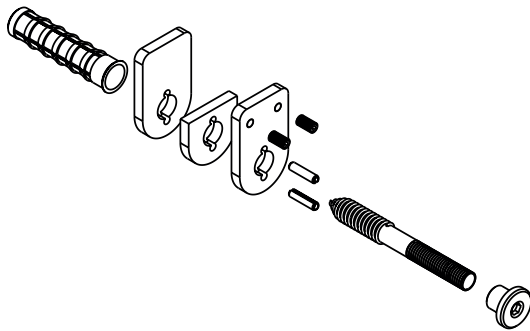
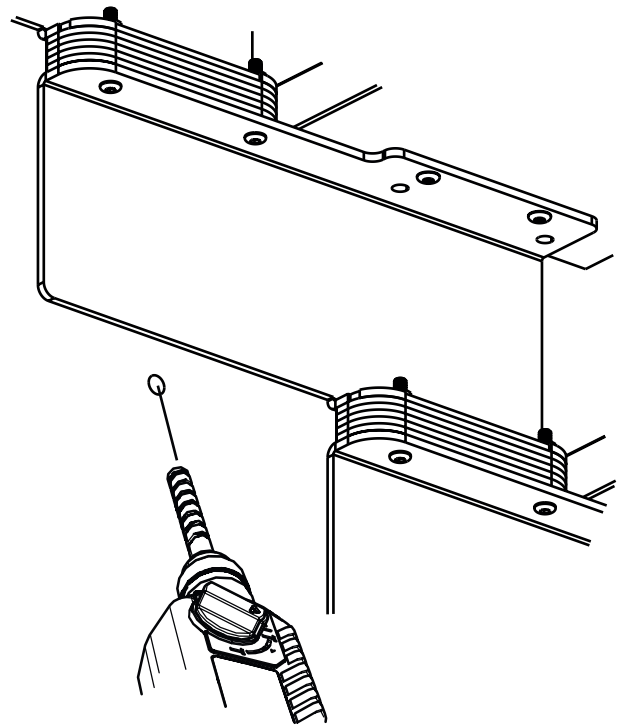
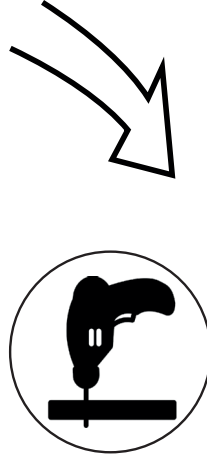
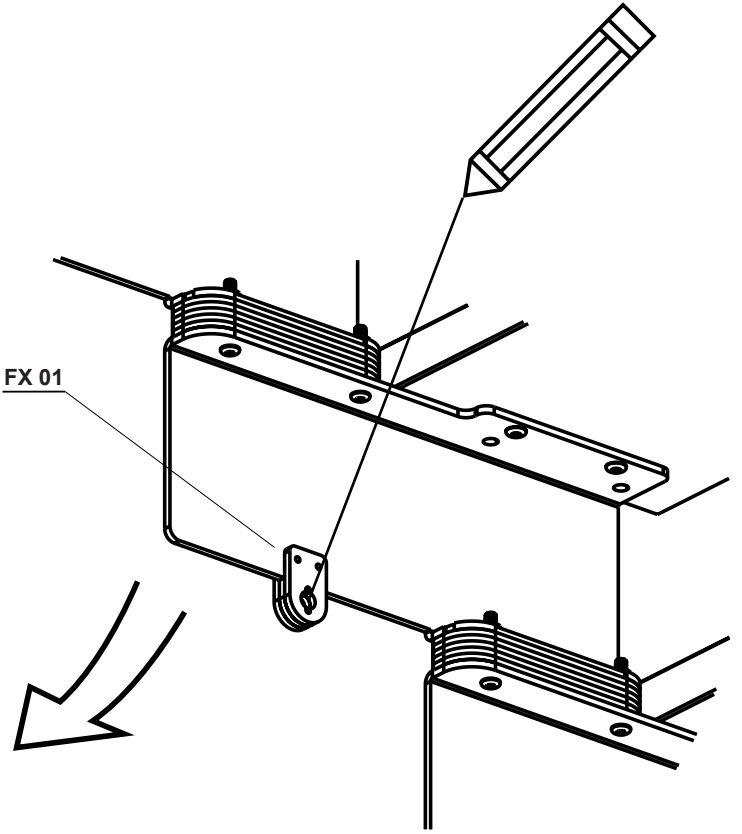
	Composity structure and steps installation manual. Configuration I - L	Code	Rev. 1	Date 29-07-2016
--	--	------	------------------	---------------------------



	Composity structure and steps installation manual. Configuration I - L	Code	Rev. 1	Date 29-07-2016
--	---	------	------------------	---------------------------



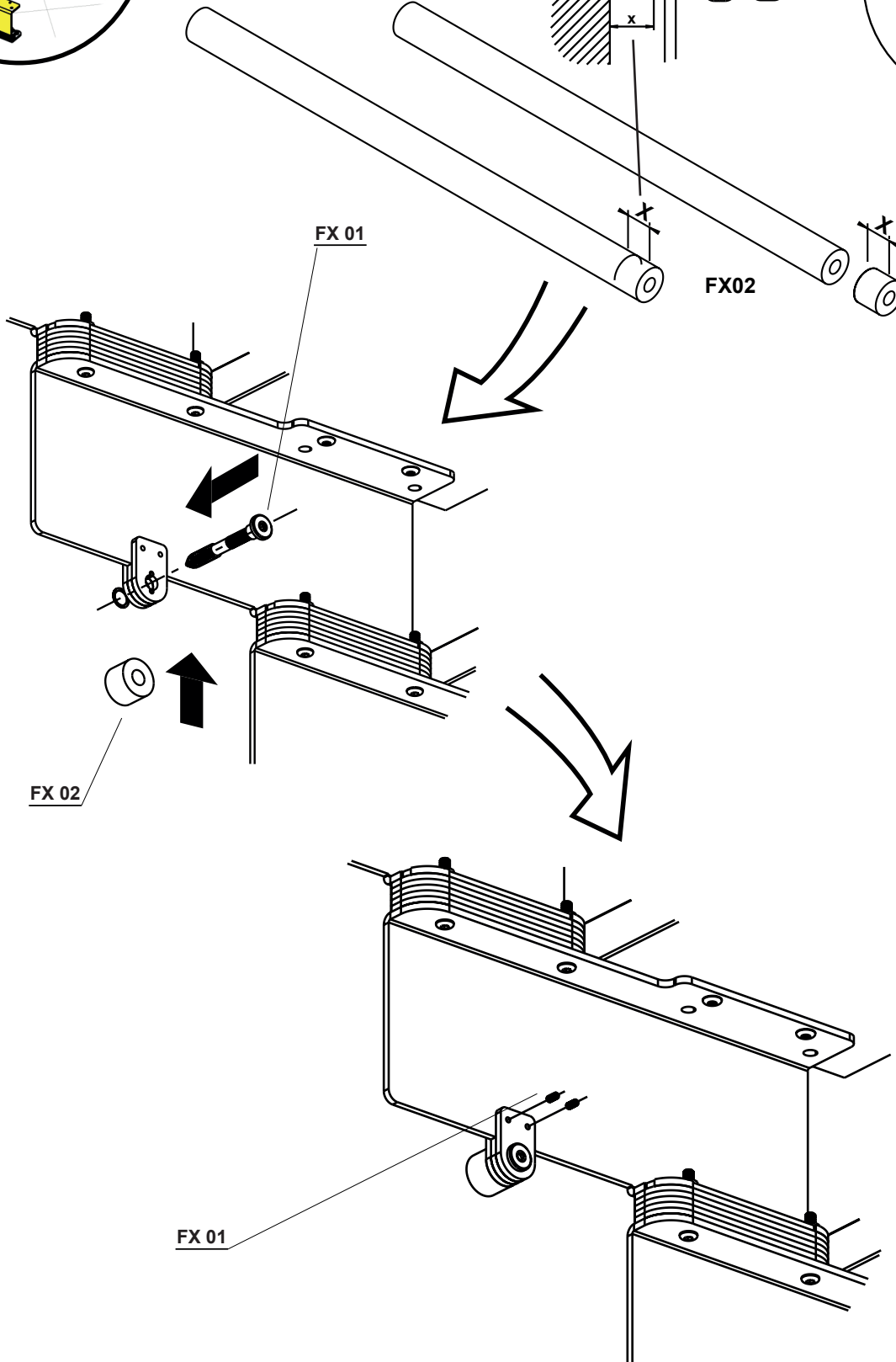
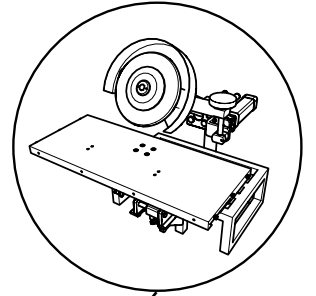
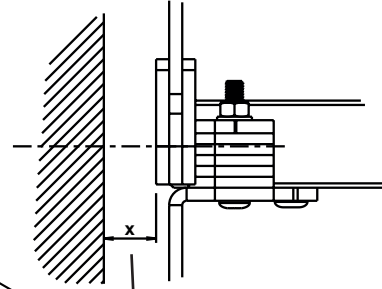
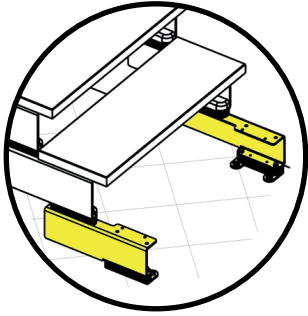
FX 01



FX 01



	Composity structure and steps installation manual. Configuration I - L	Code	Rev. 1	Date 29-07-2016
--	---	------	------------------	---------------------------



	Composit structure and steps installation manual. Configuration I - L	Code	Rev. 1	Date 29-07-2016
--	--	------	------------------	---------------------------





COMPOSITY

TUBE RAILING AND BALUSTRADE
ASSEMBLING INSTRUCTION

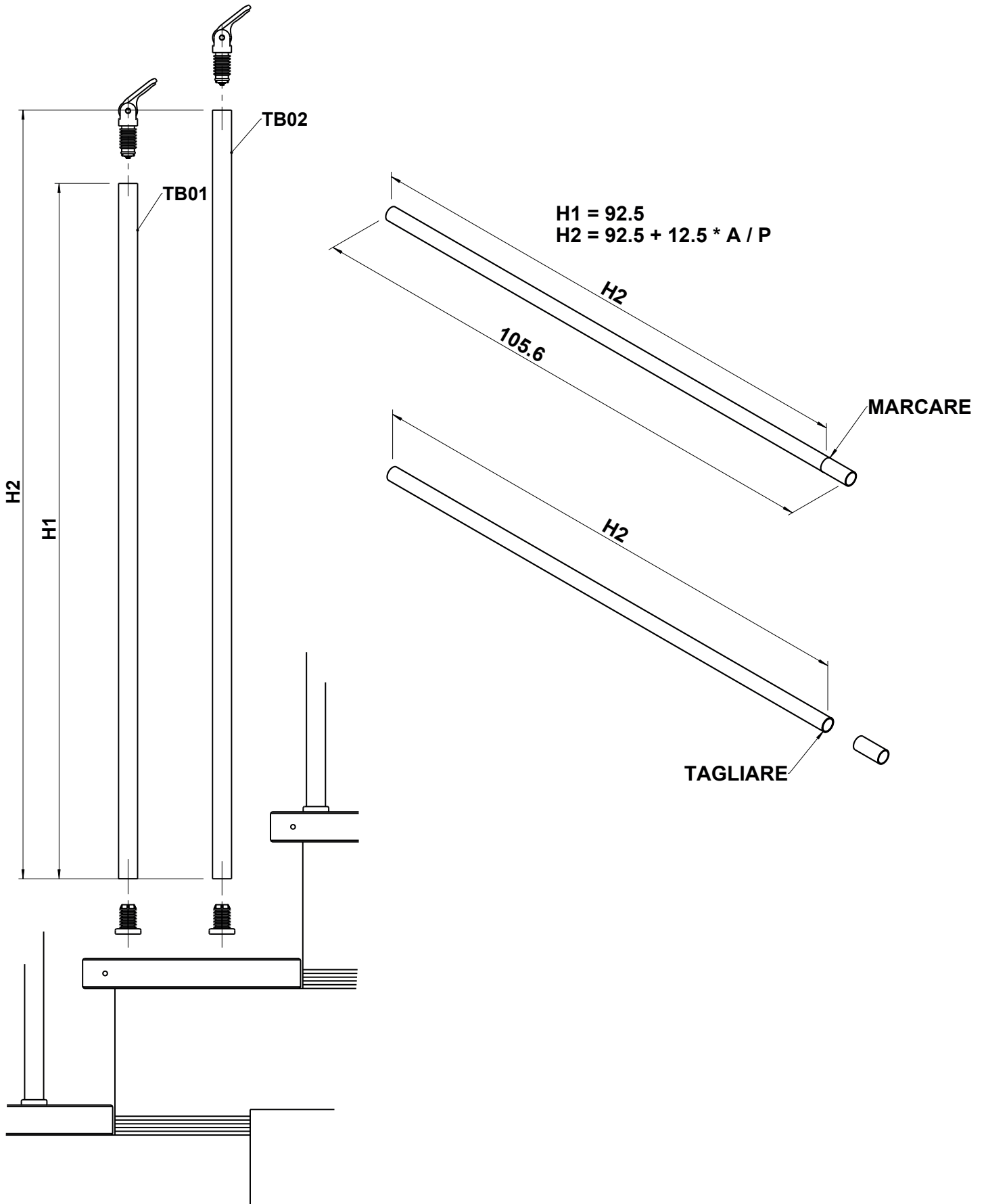
INDEX

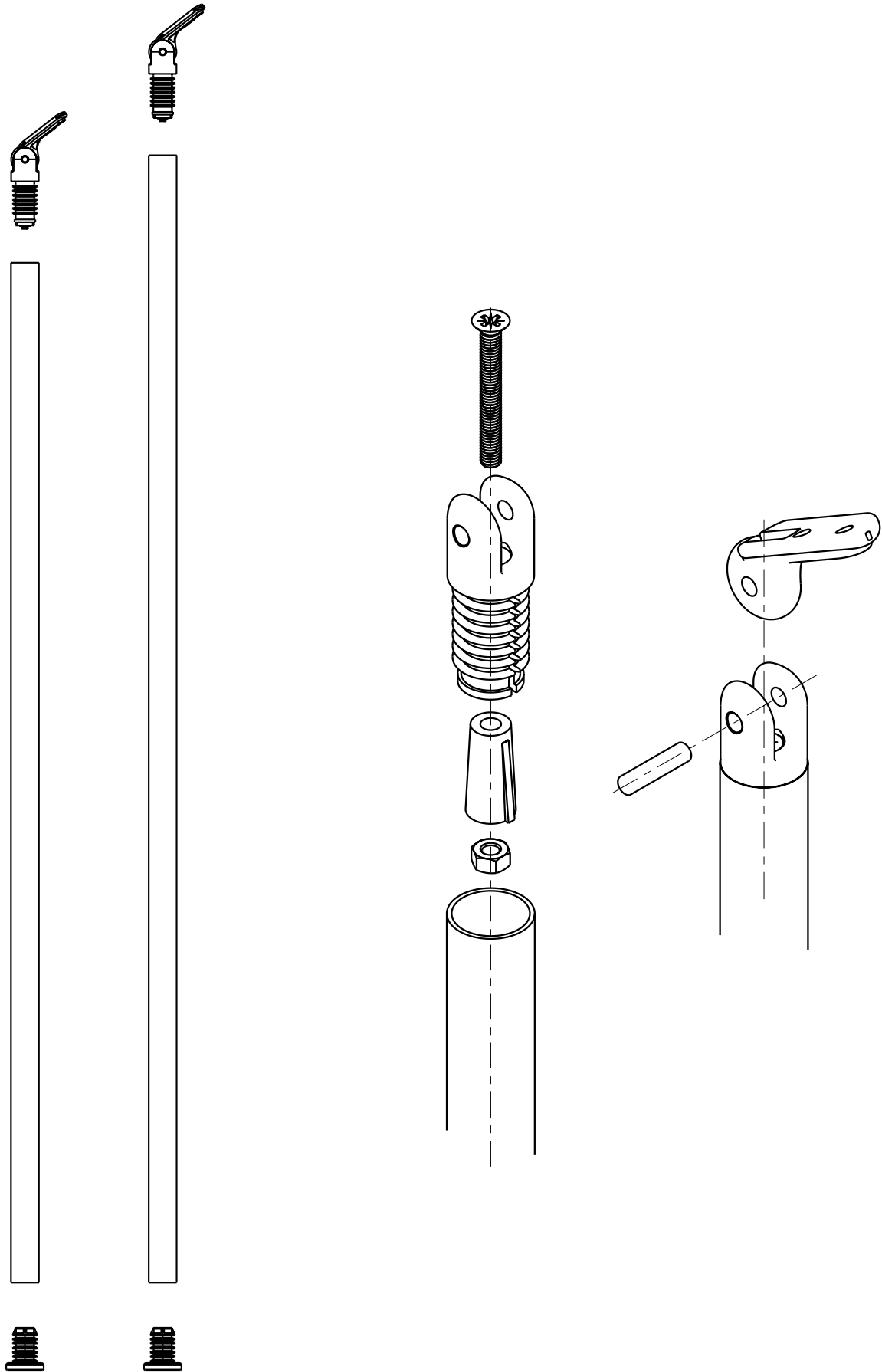
1 Preassembly	05
2 Assembly	09

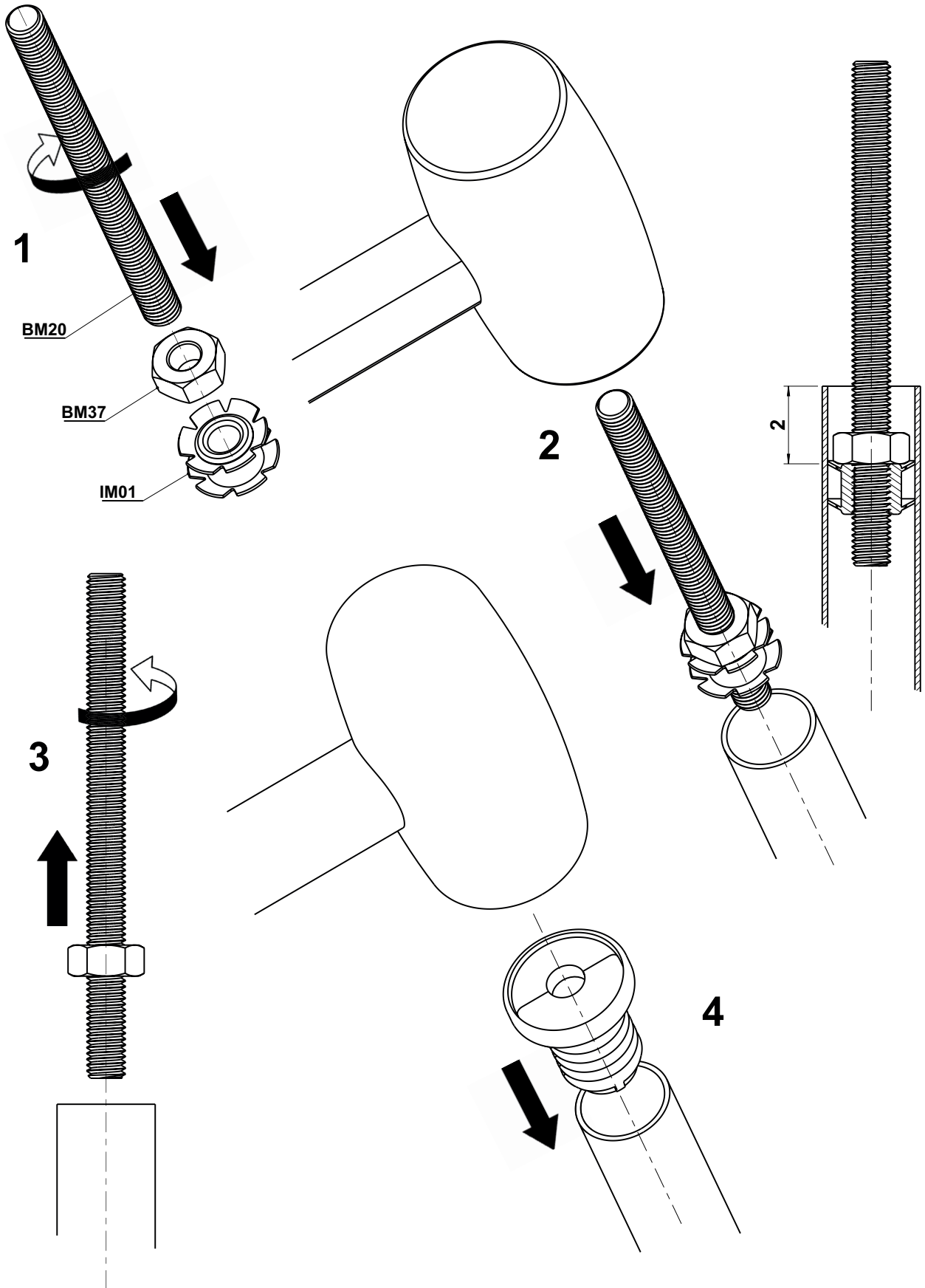
1

PRE ASSEMBLY





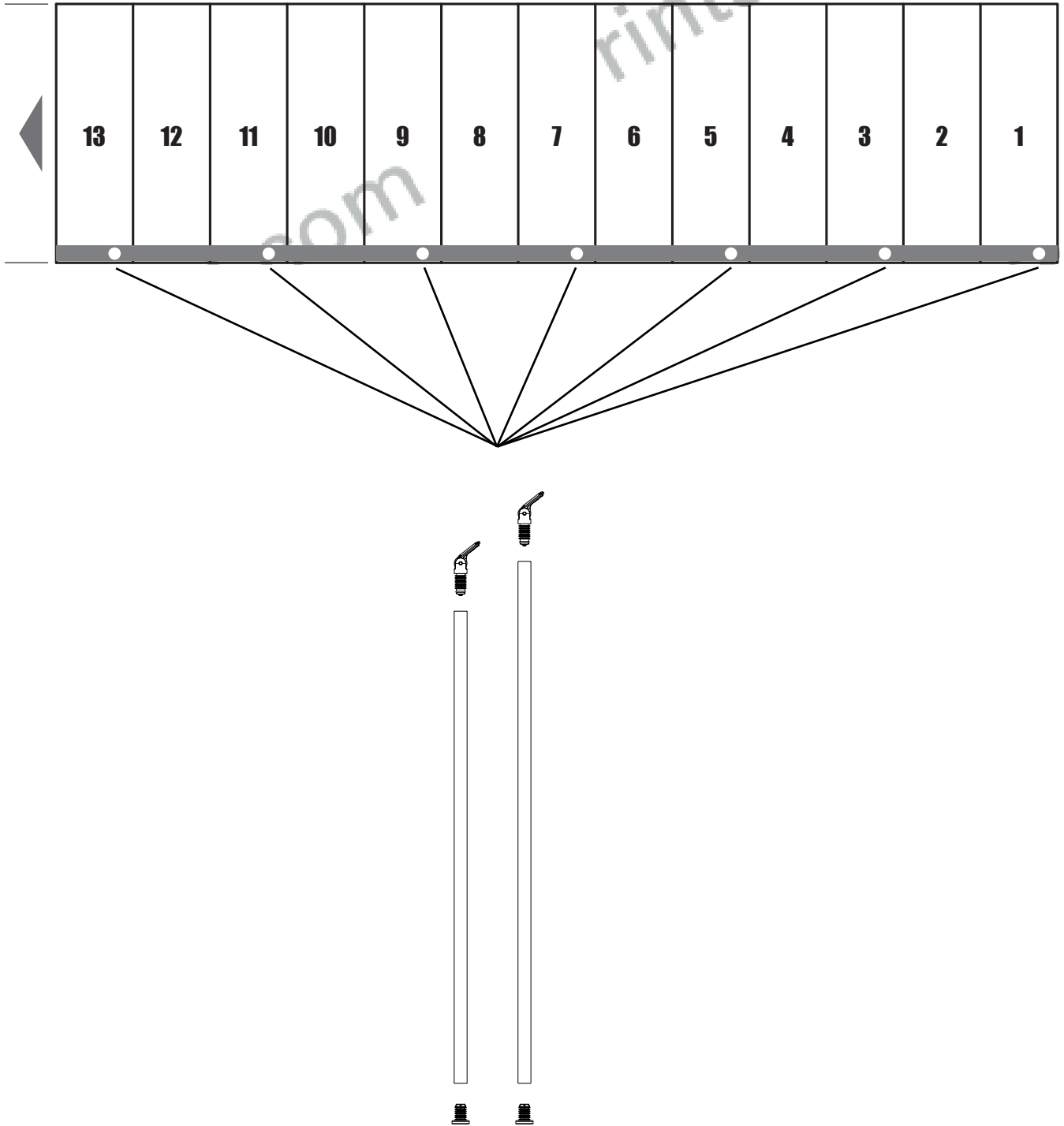


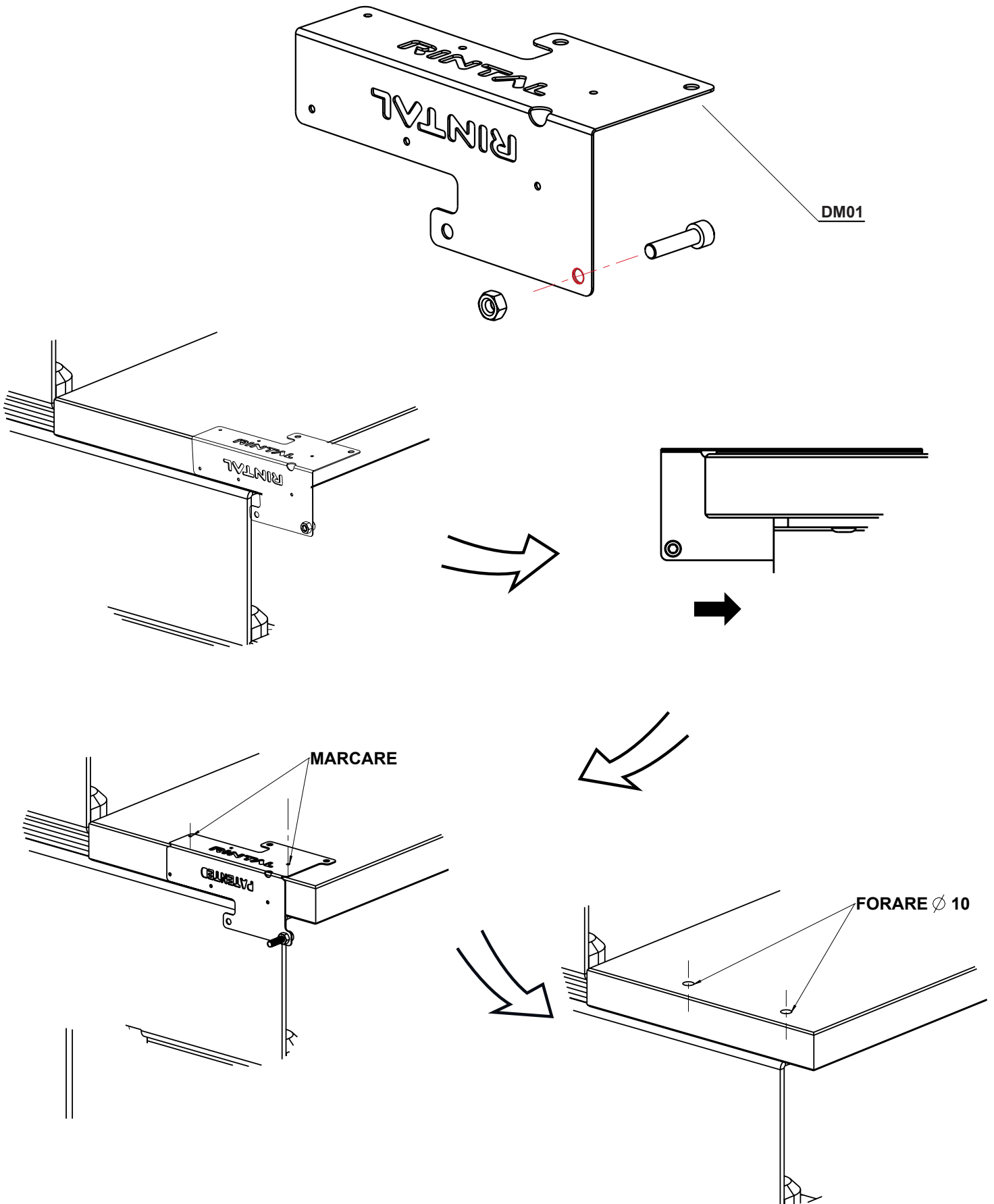


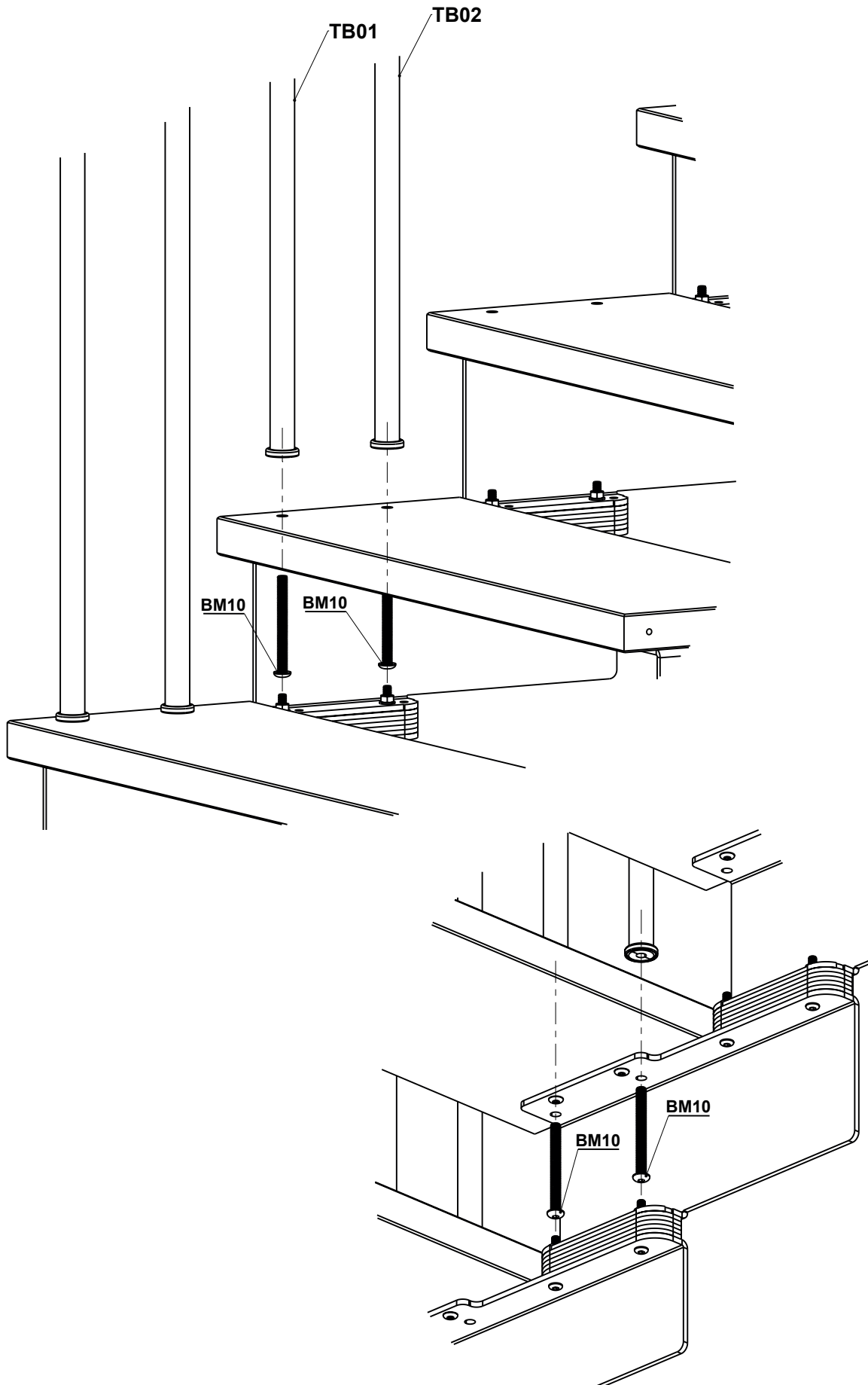
2

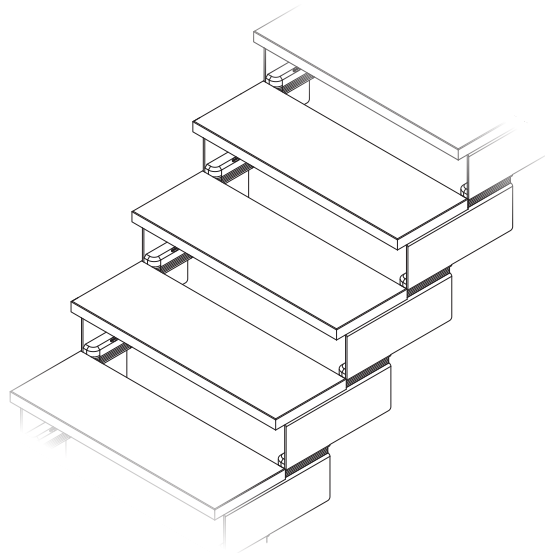
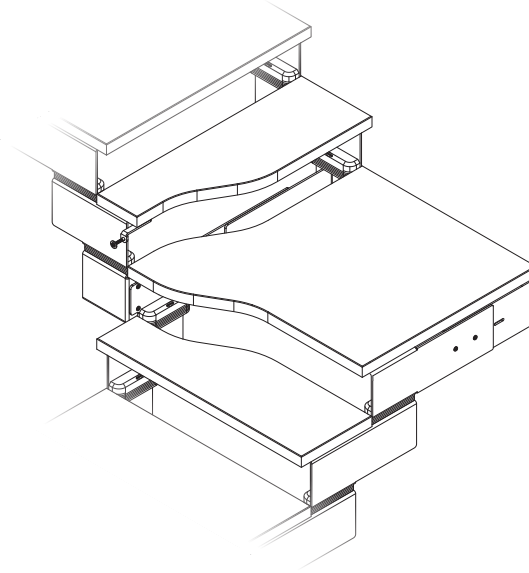
ASSEMBLY

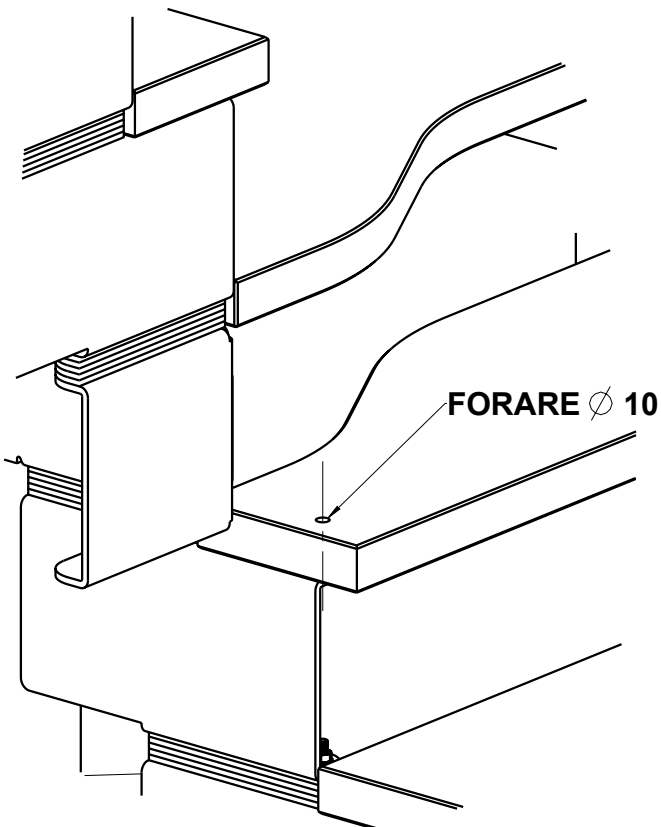
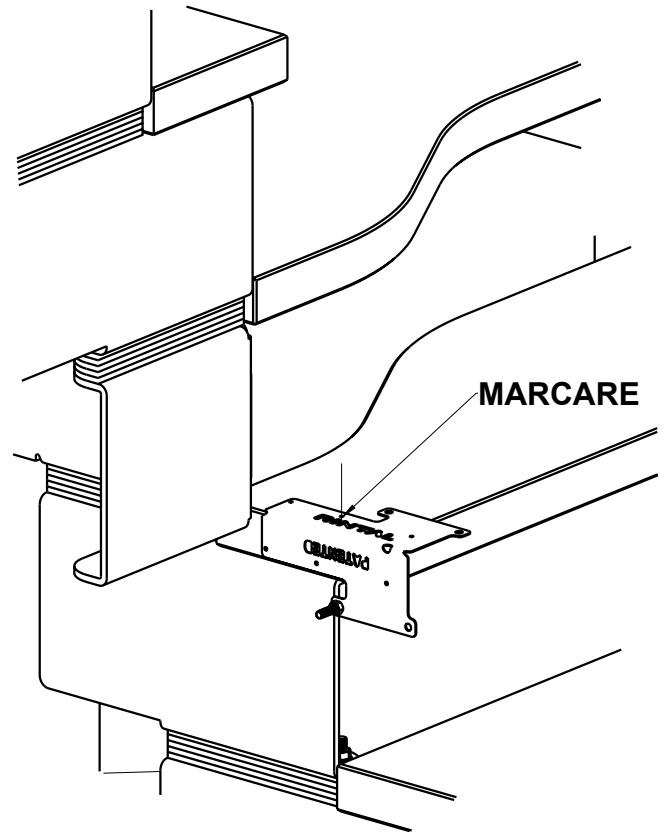
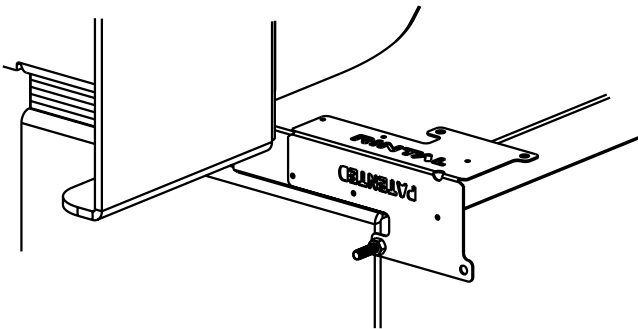
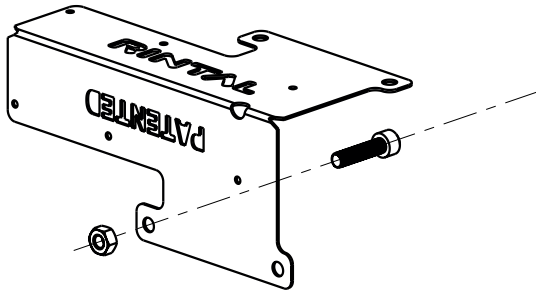


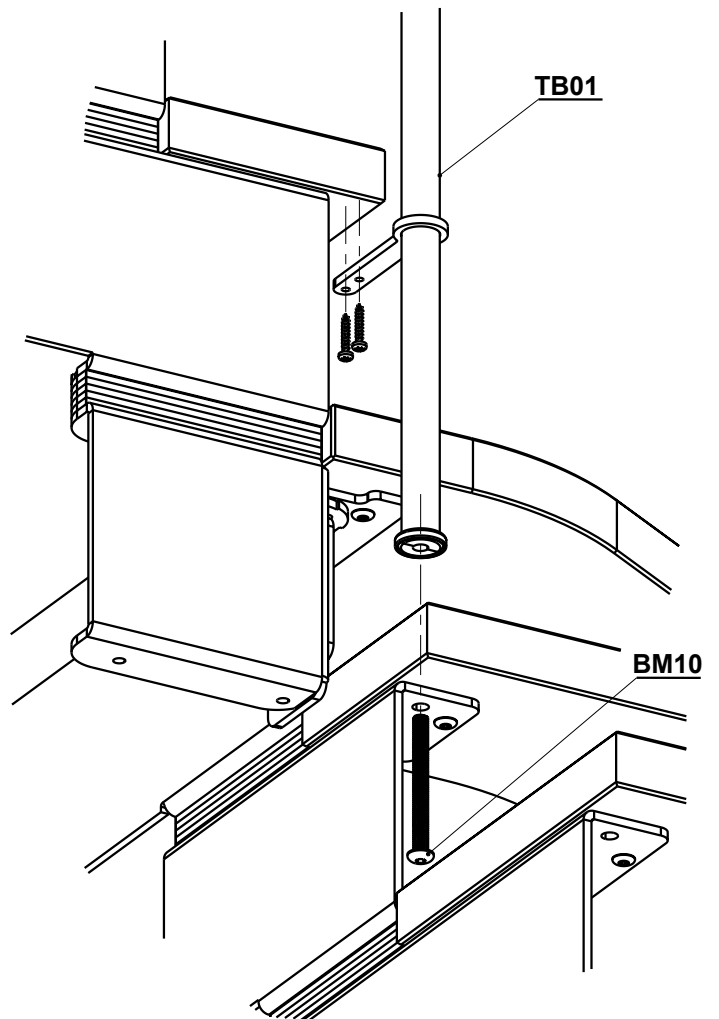
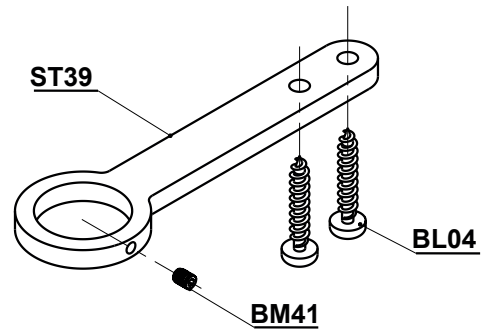
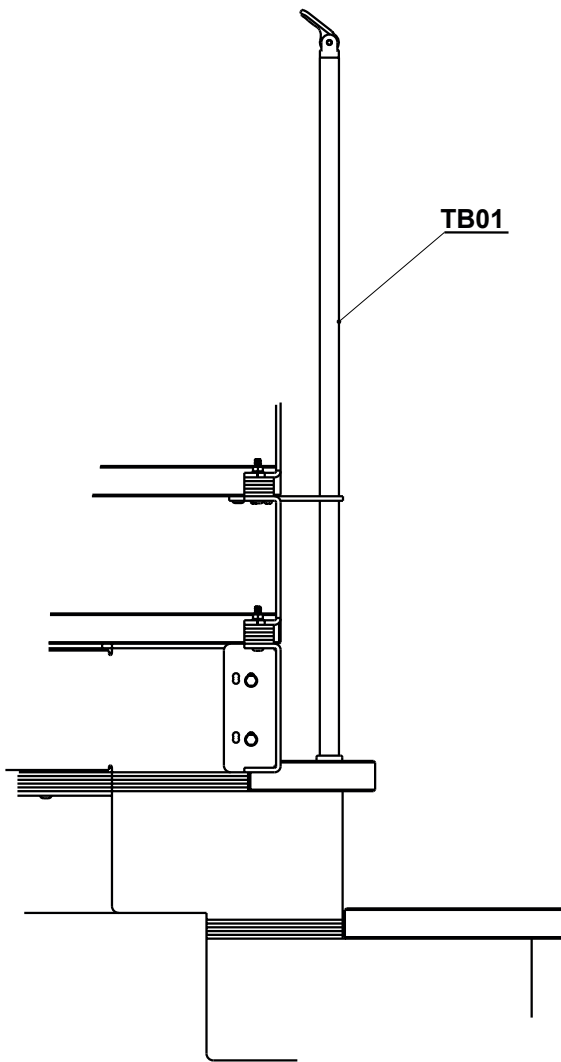


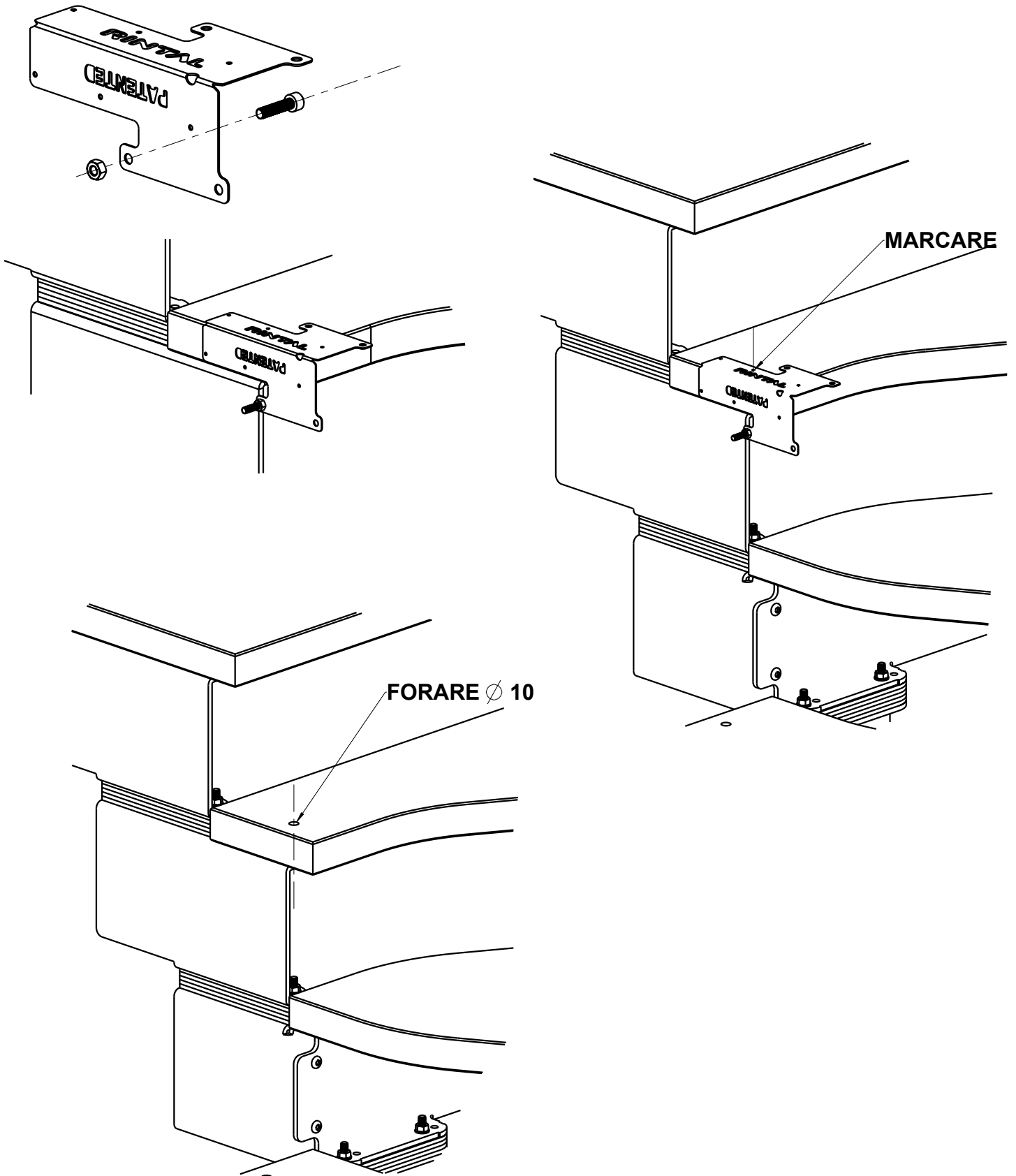


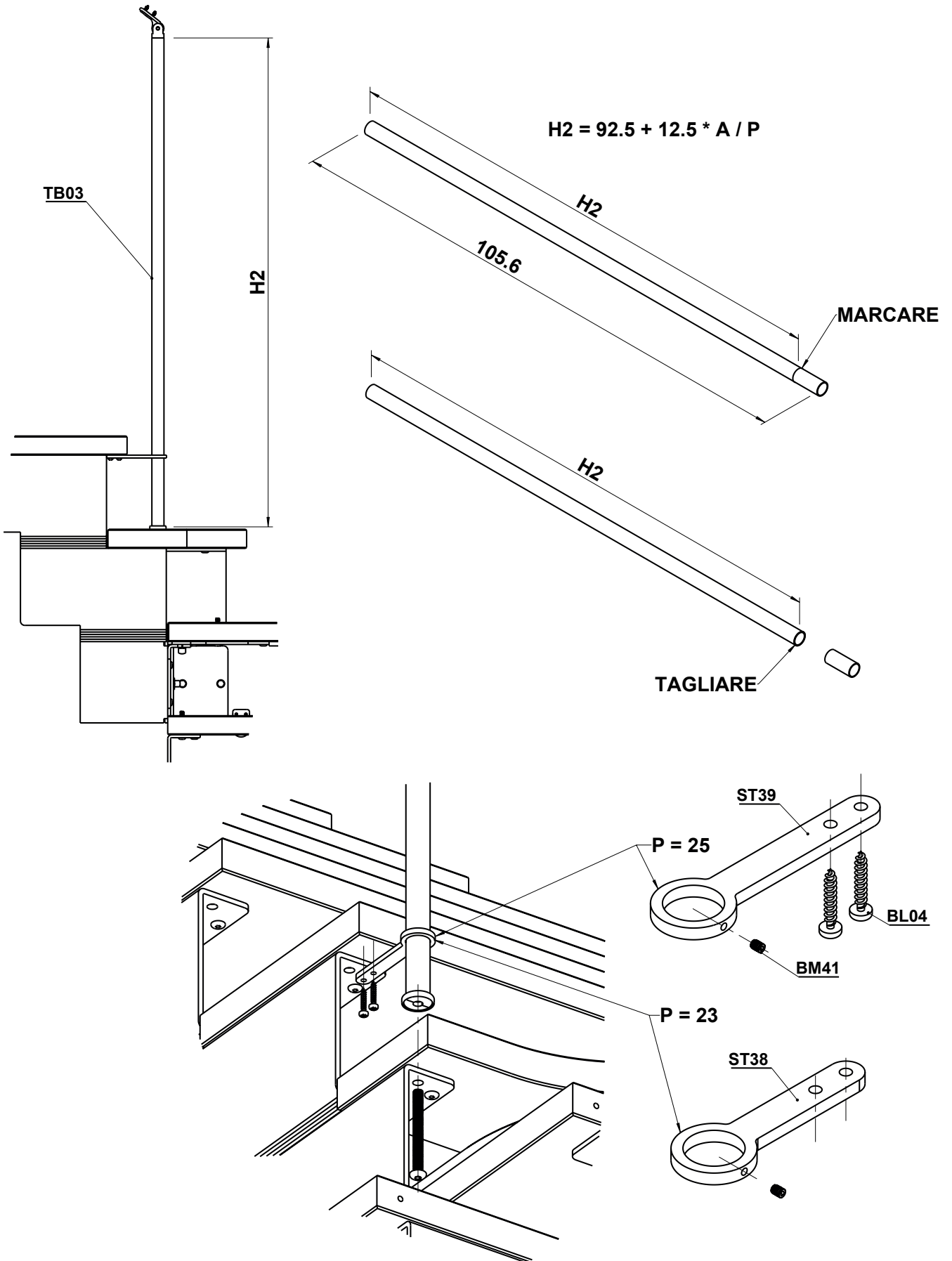


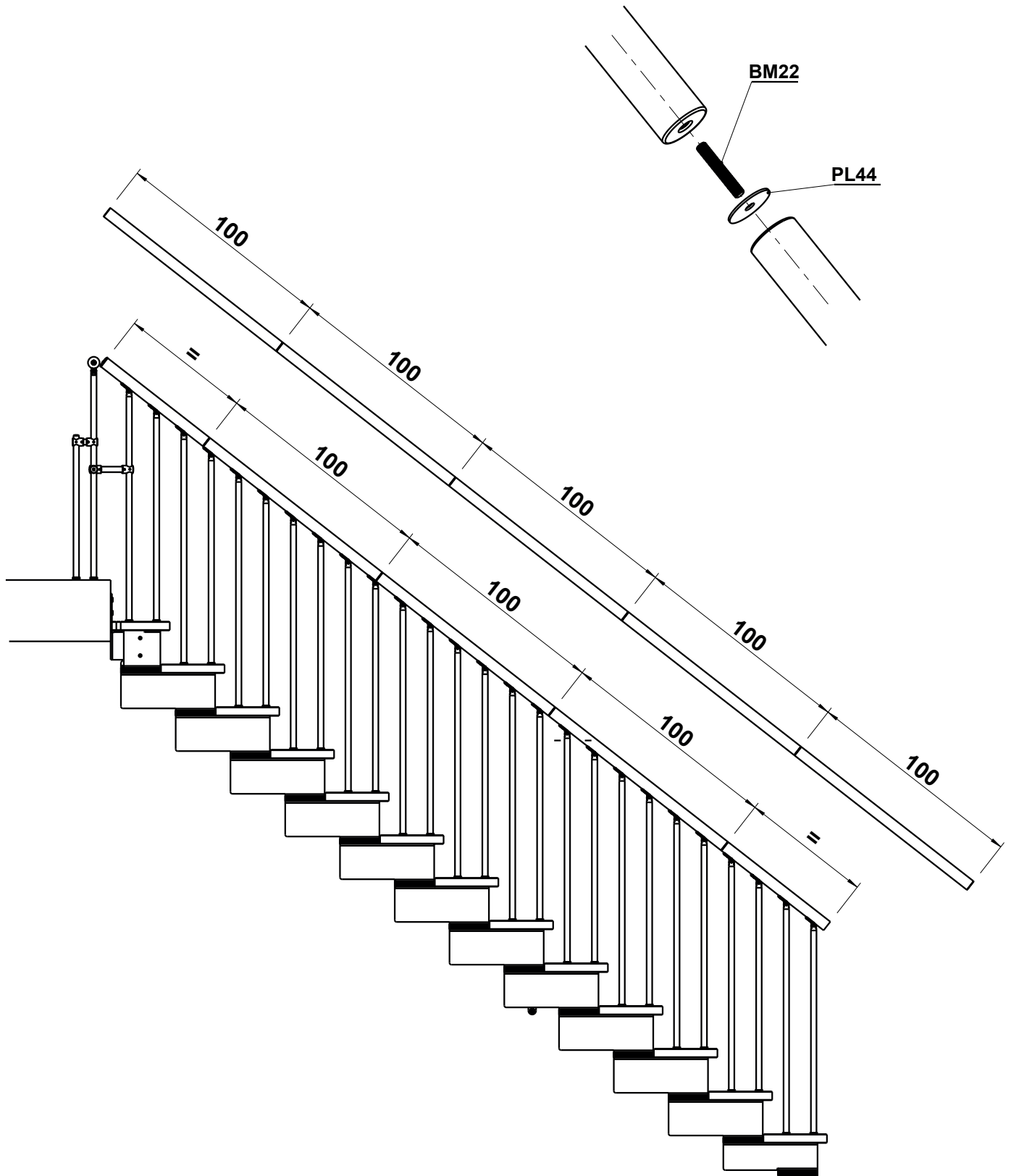


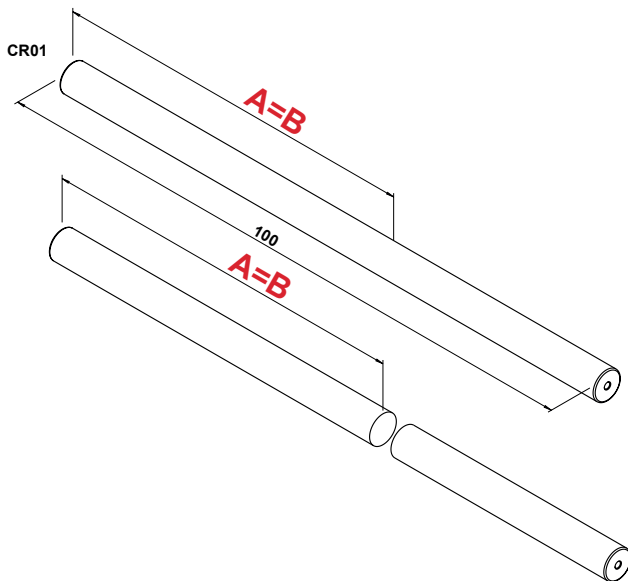
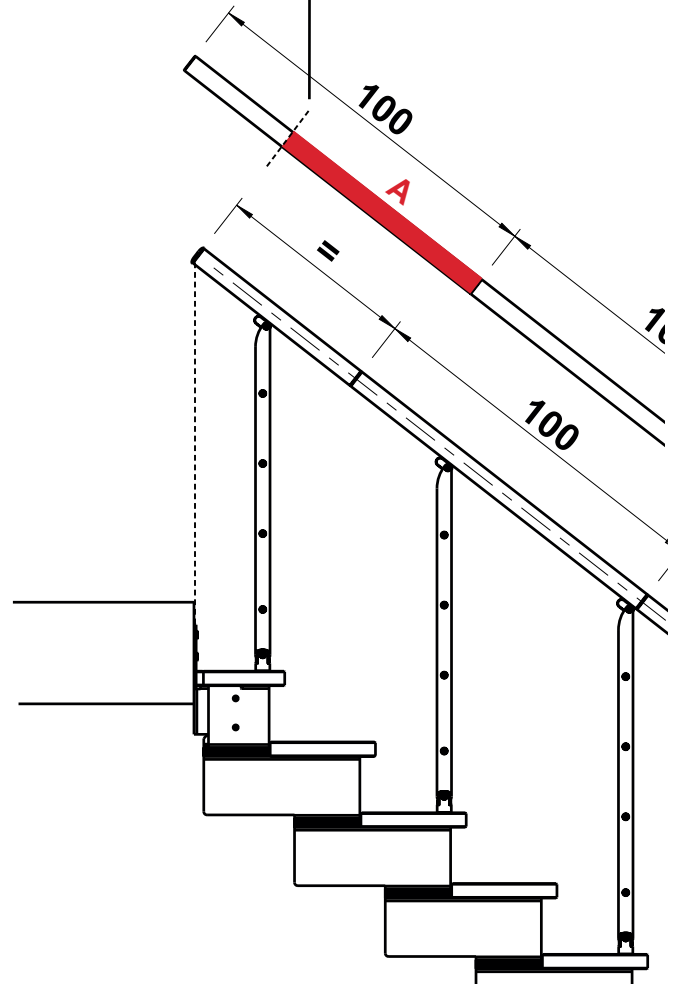
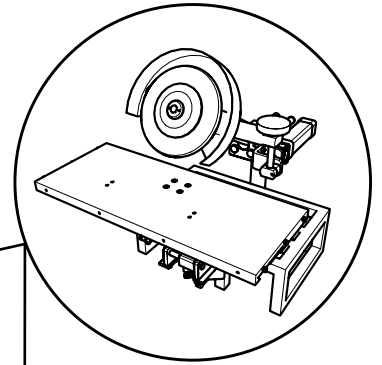
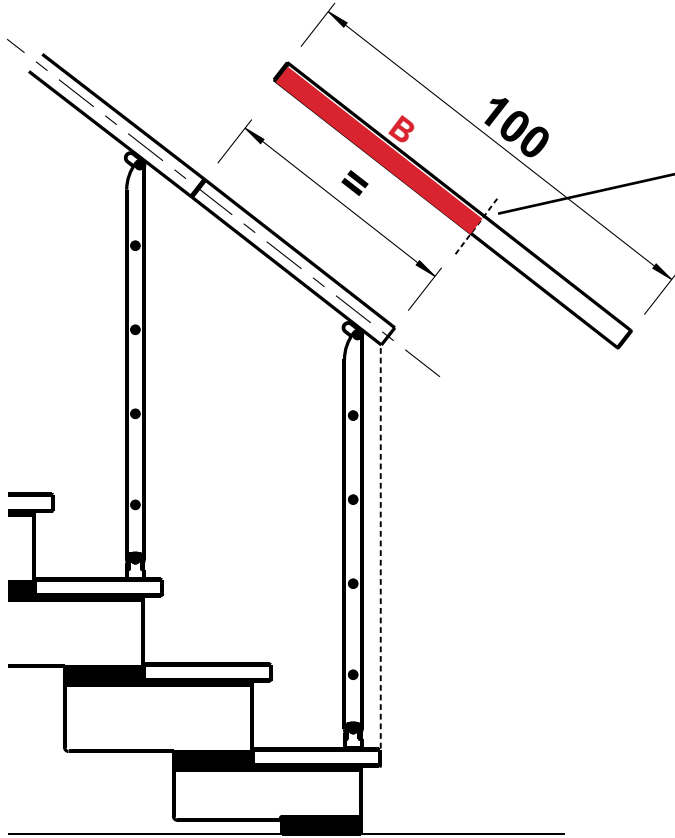


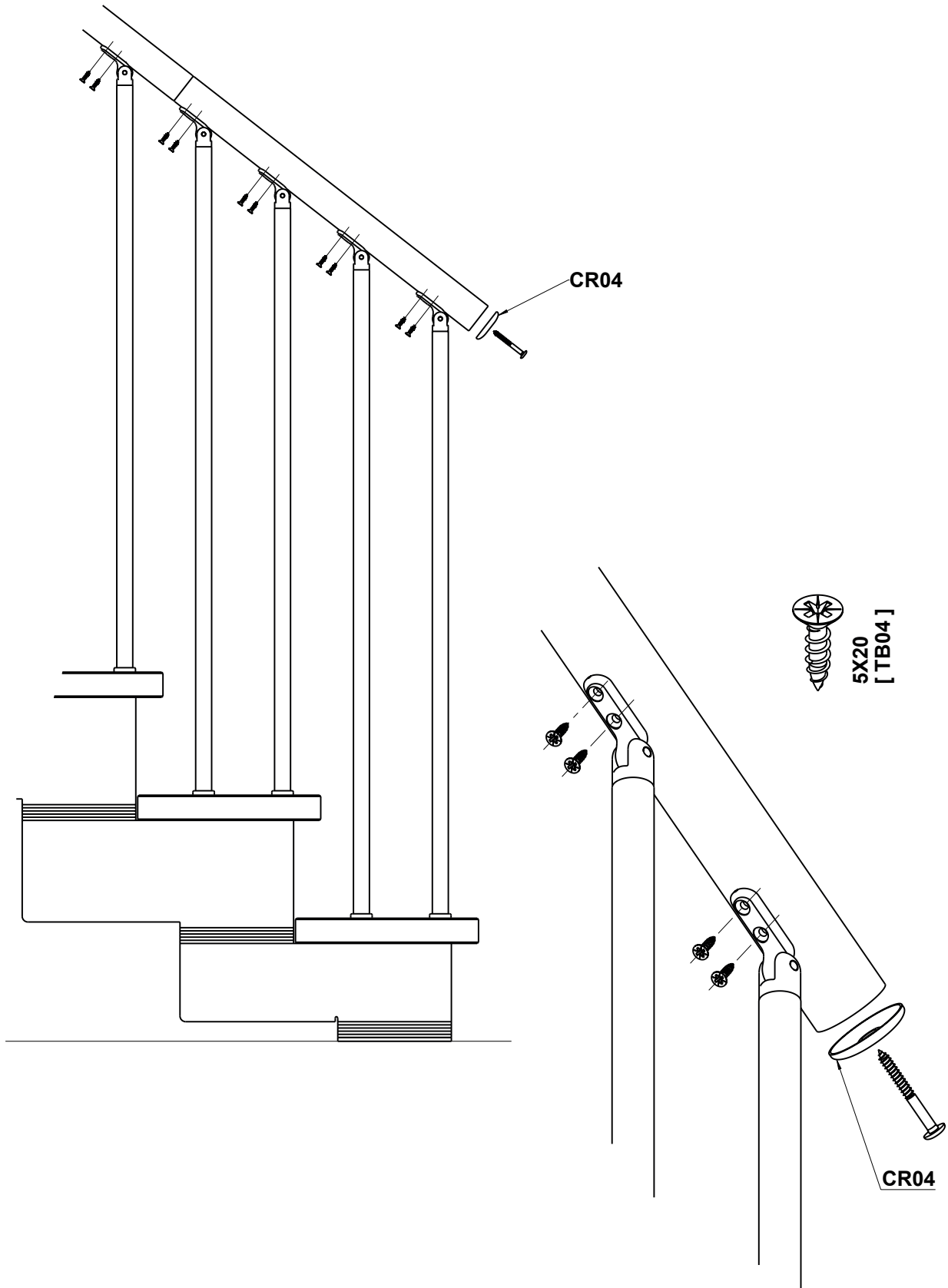












Composity Tube railing installation manual. Configuration I-L	Code 650609200	Rev. 1	Date 21-03-2017
--	--------------------------	------------------	---------------------------





COMPOSITY

TUBE RAILING AND BALUSTRADE
ASSEMBLING INSTRUCTION

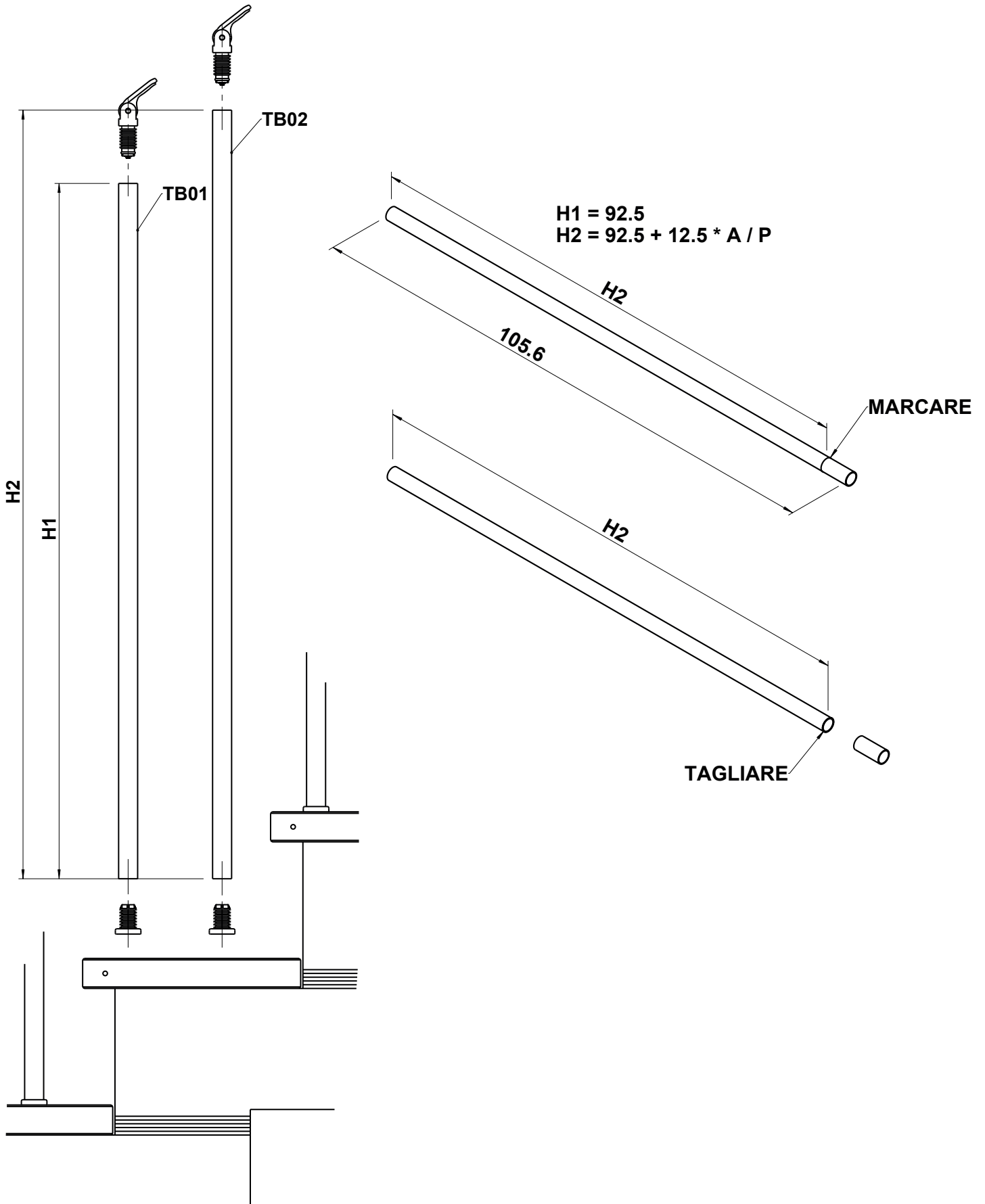
INDEX

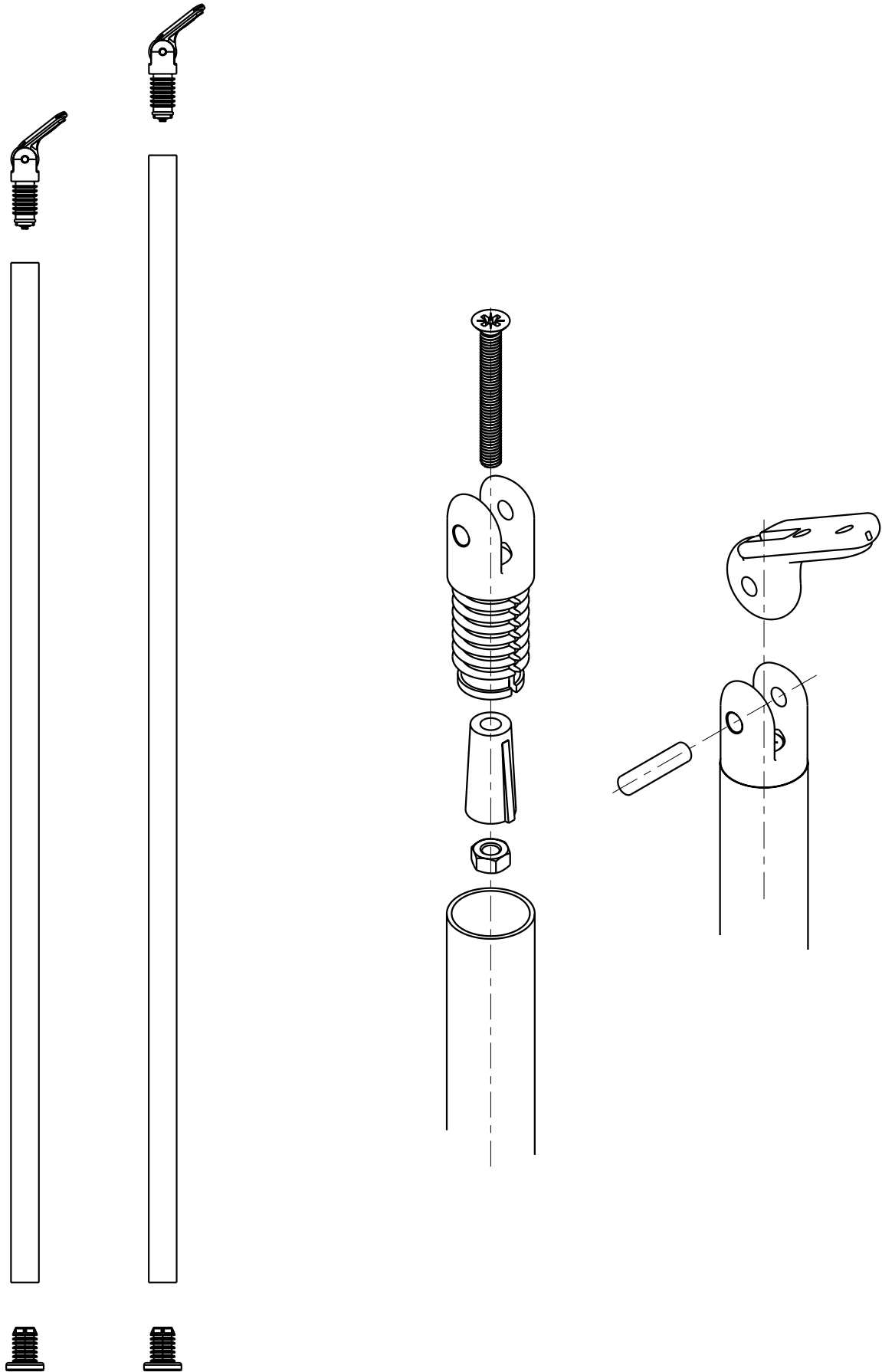
1 Preassembly	05
2 Assembly	09

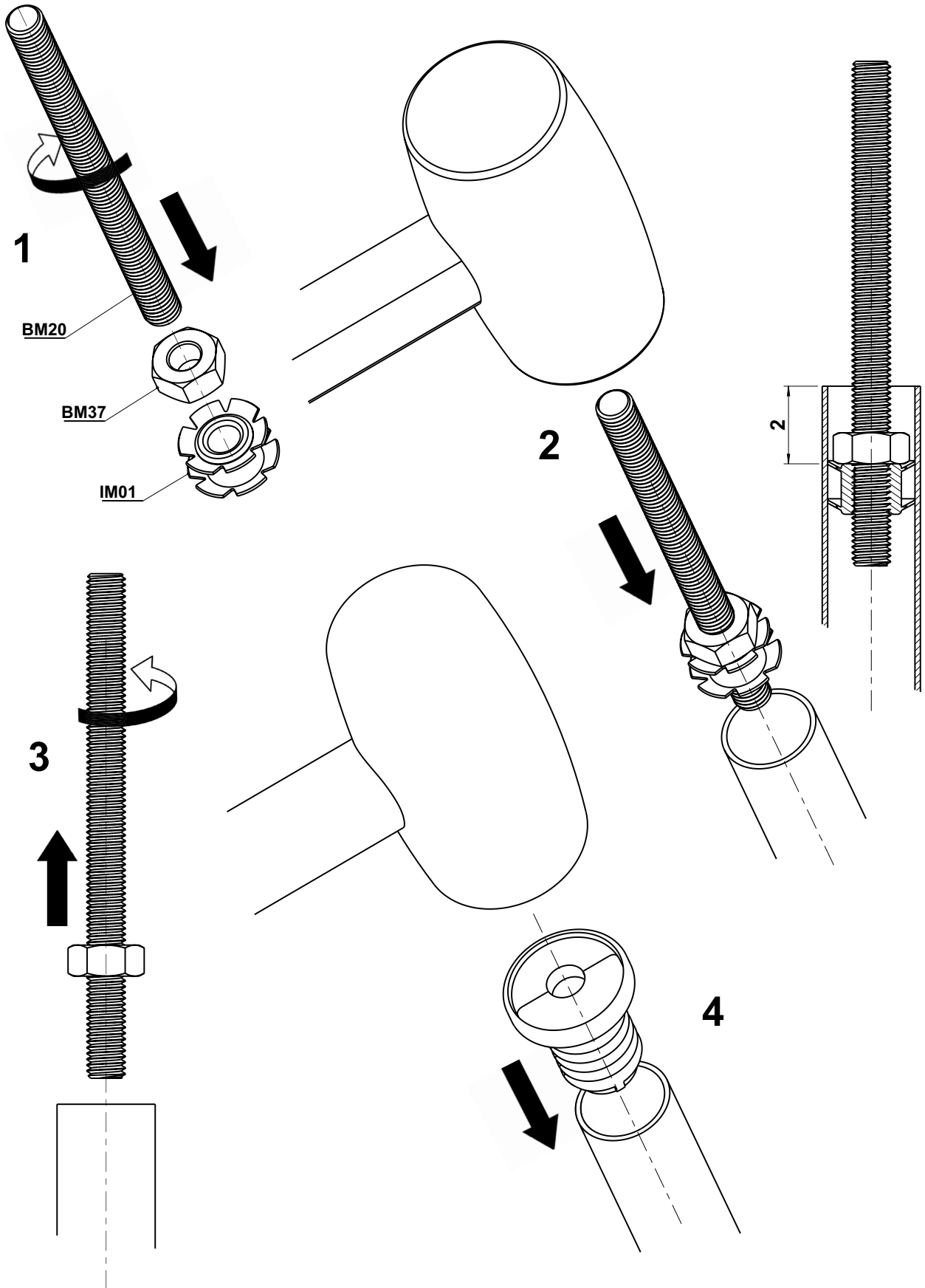
1

PRE ASSEMBLY





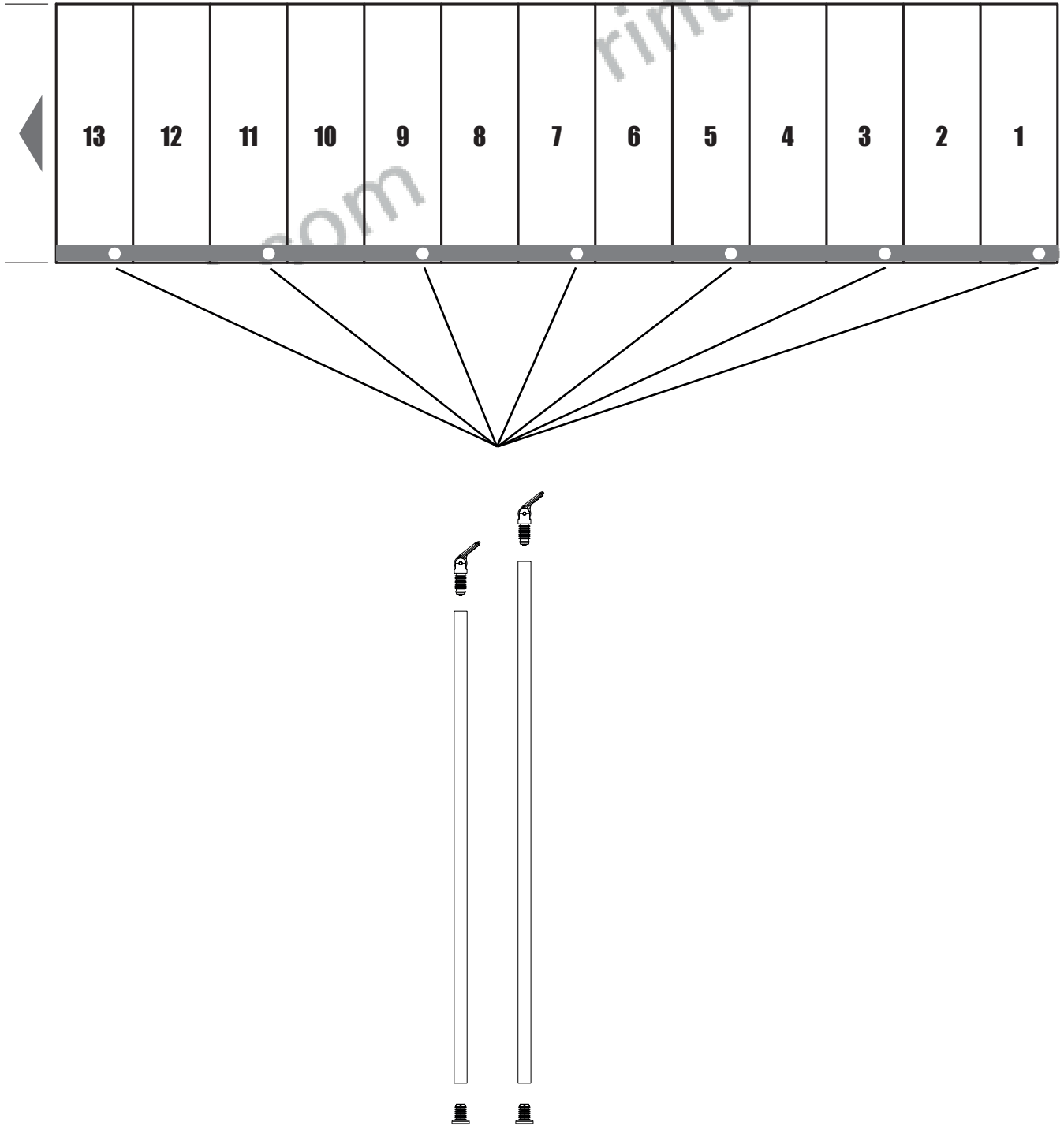


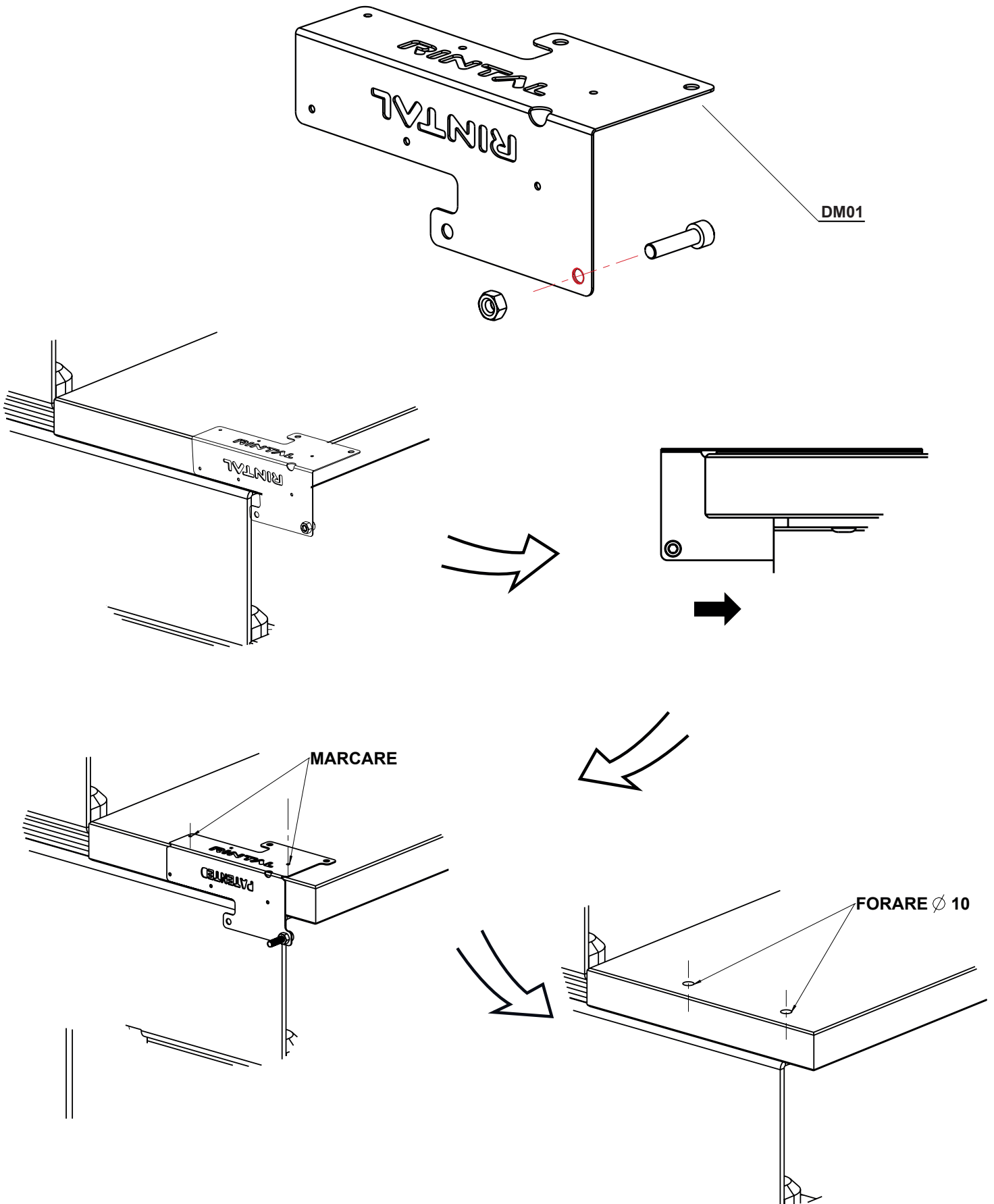


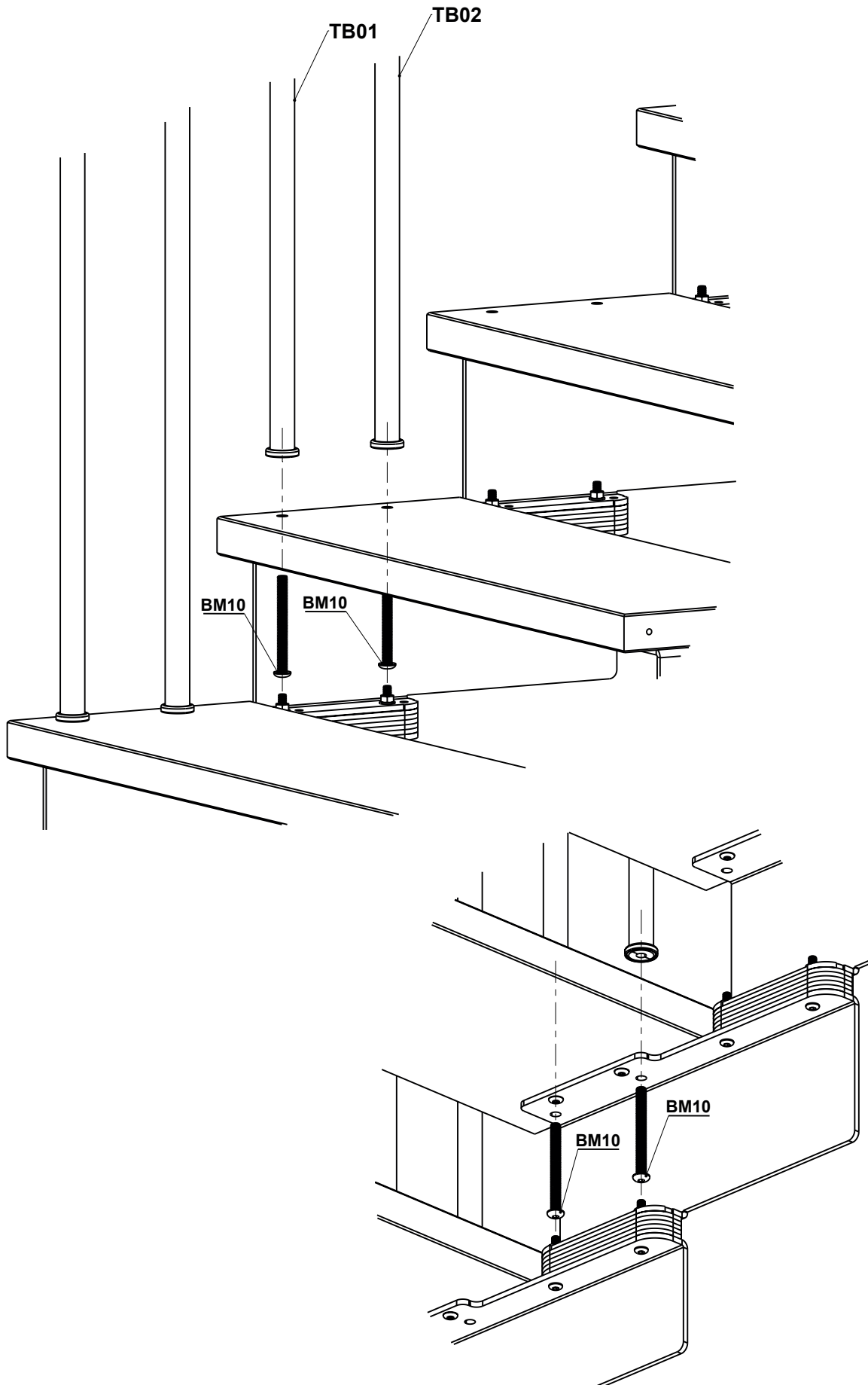
2

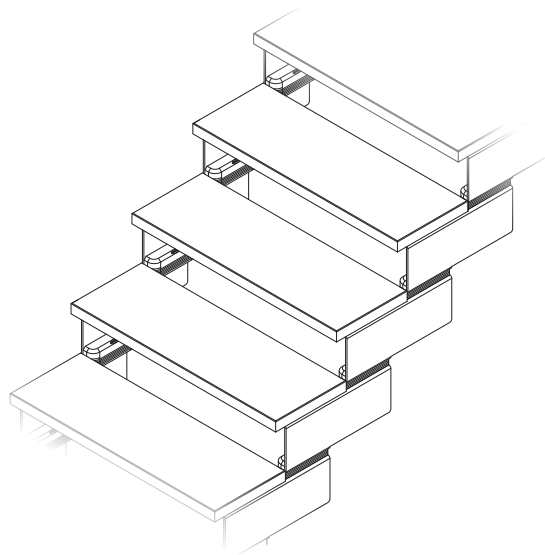
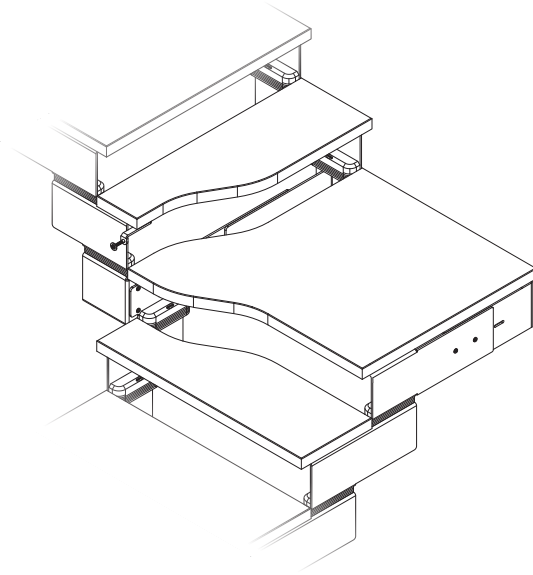
ASSEMBLY

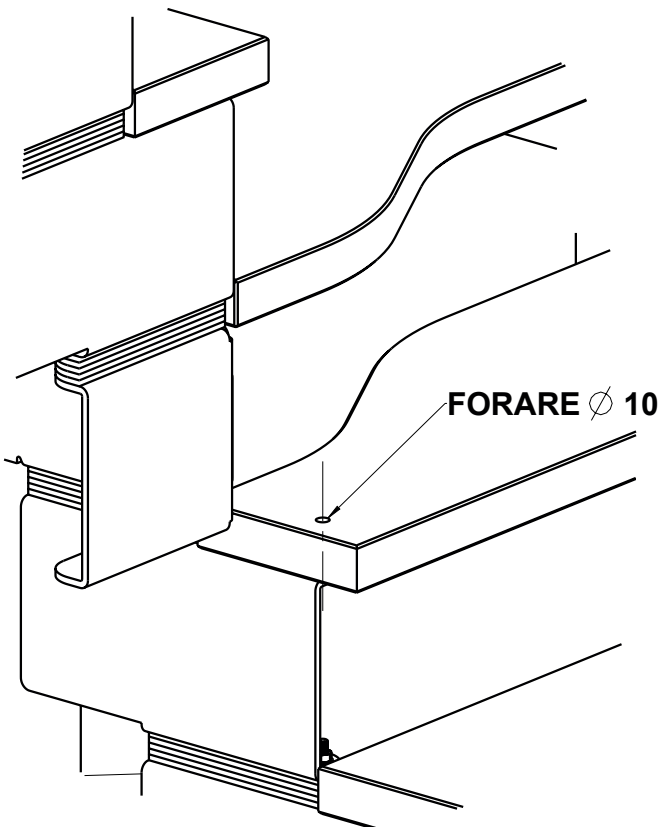
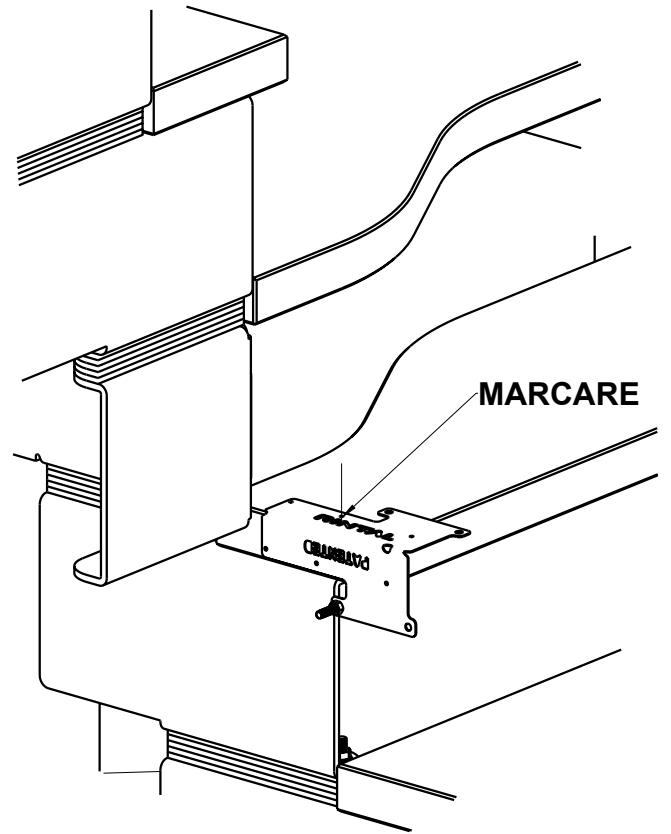
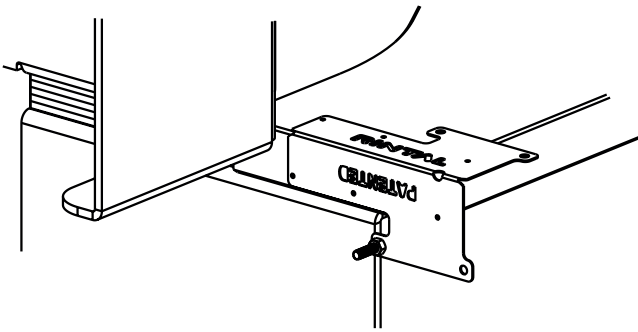
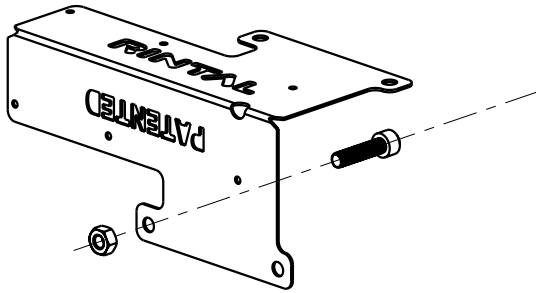


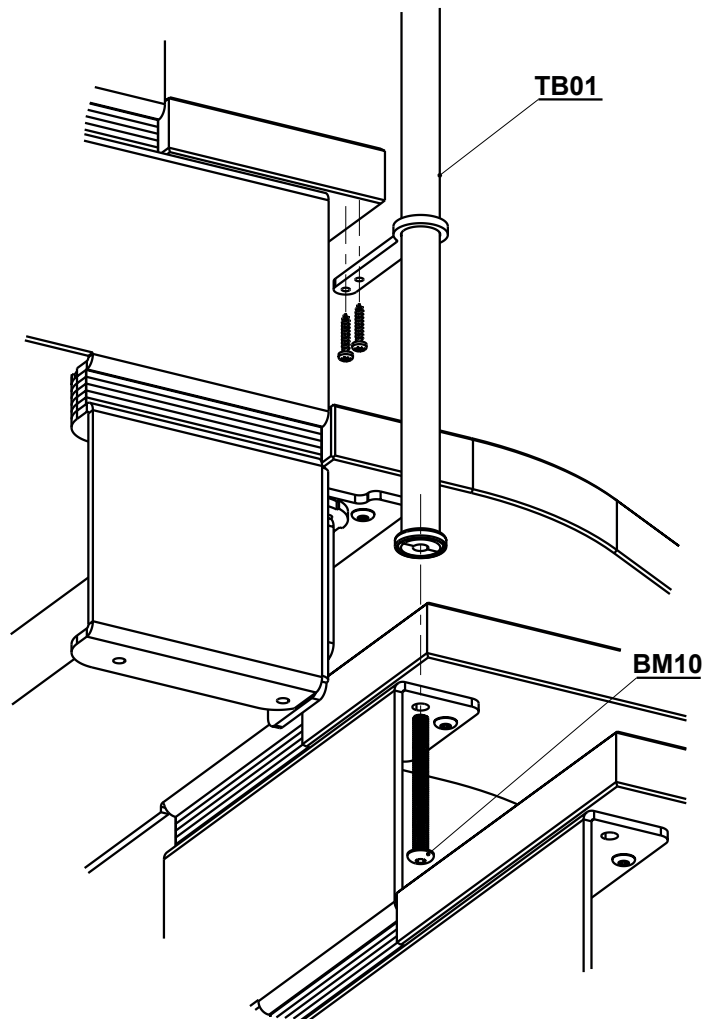
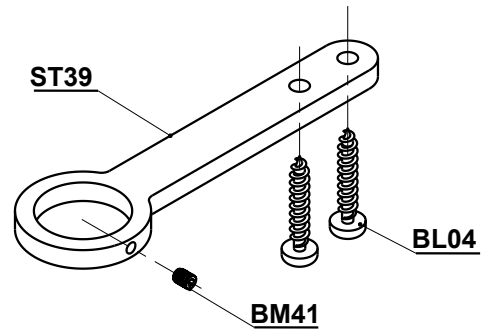
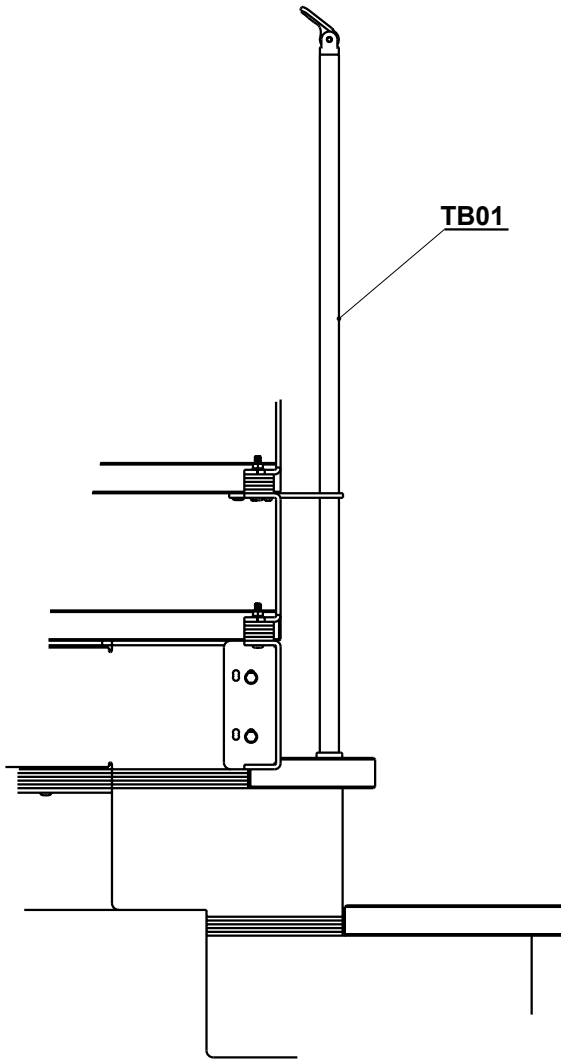


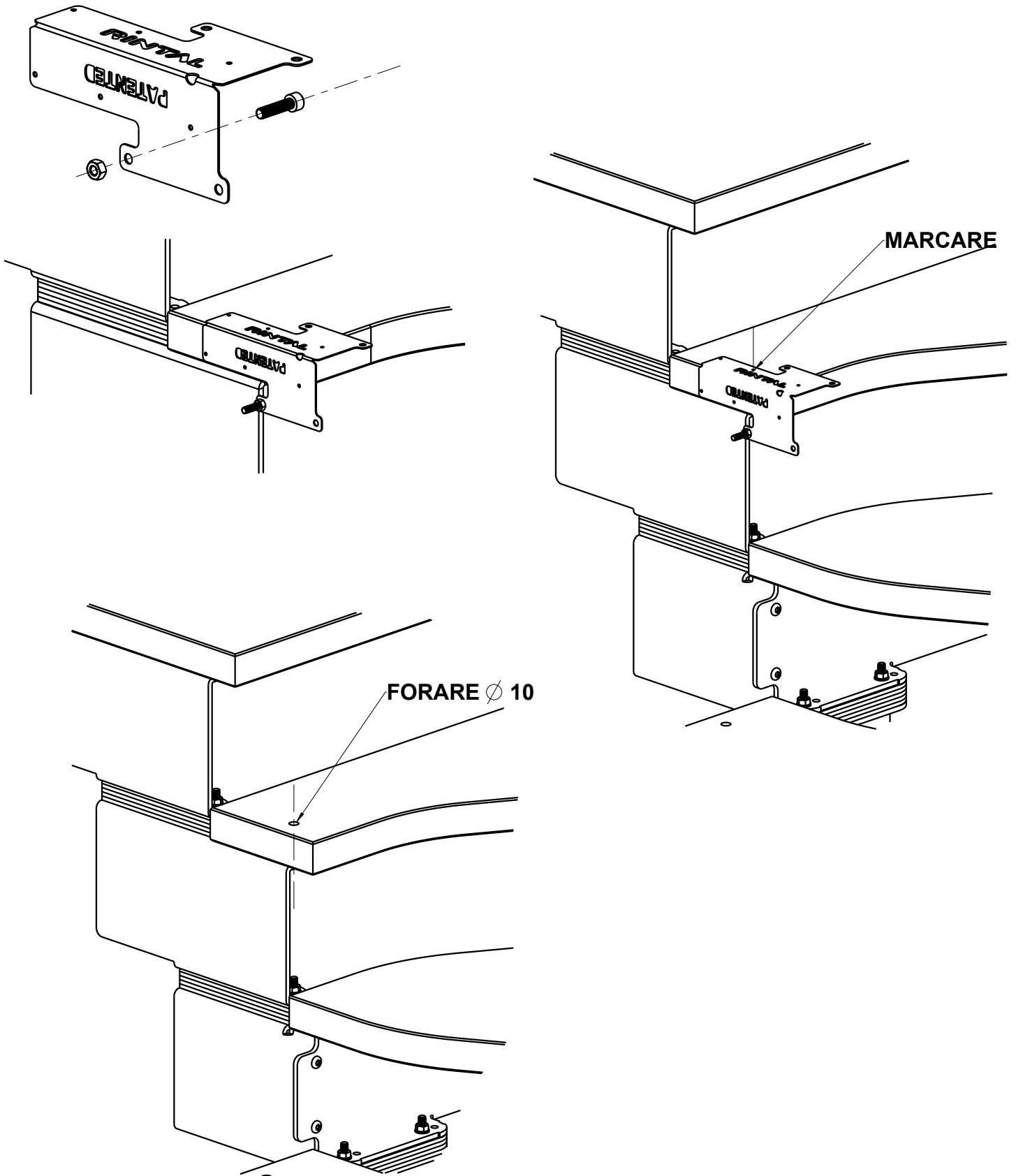


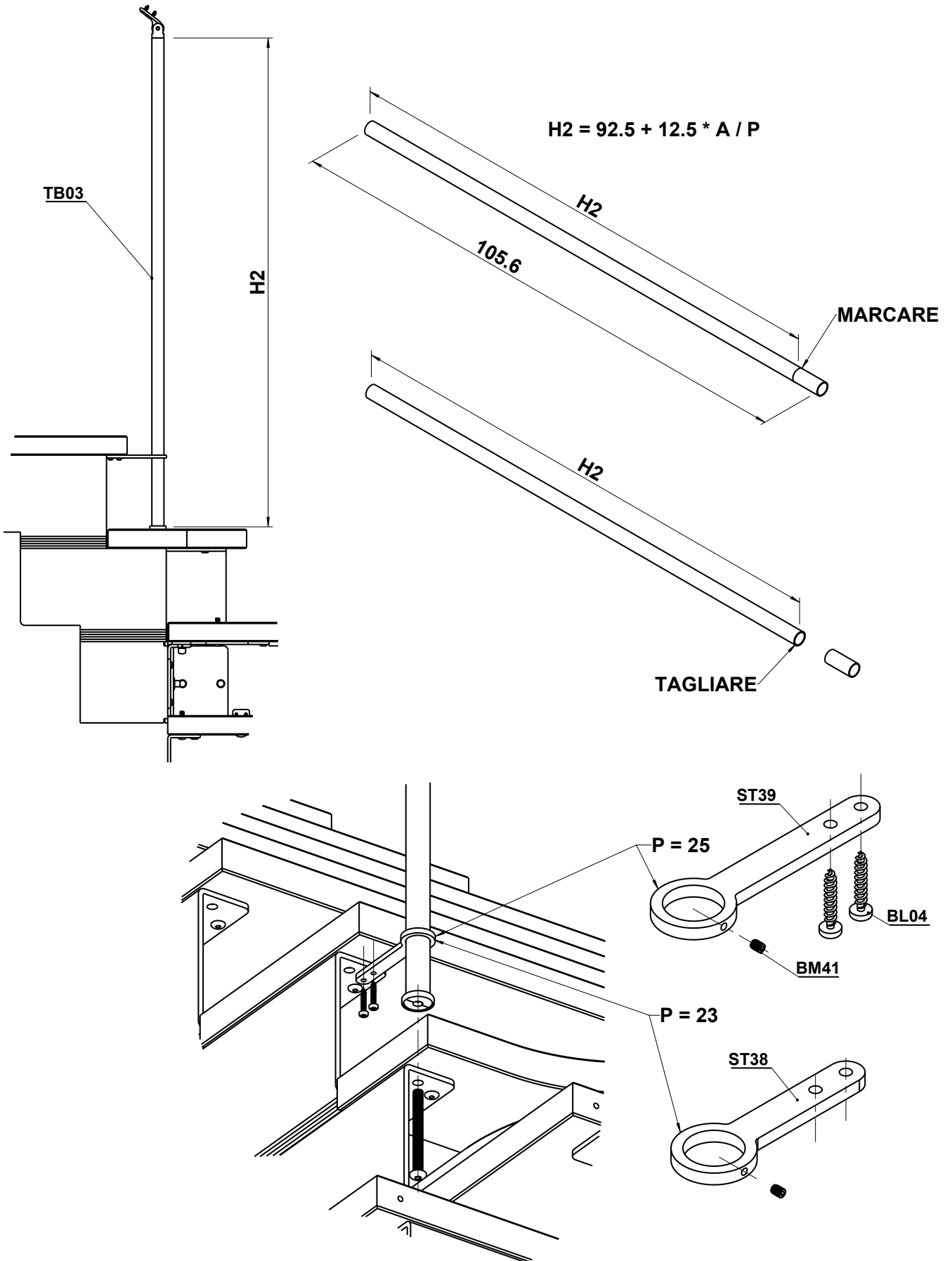


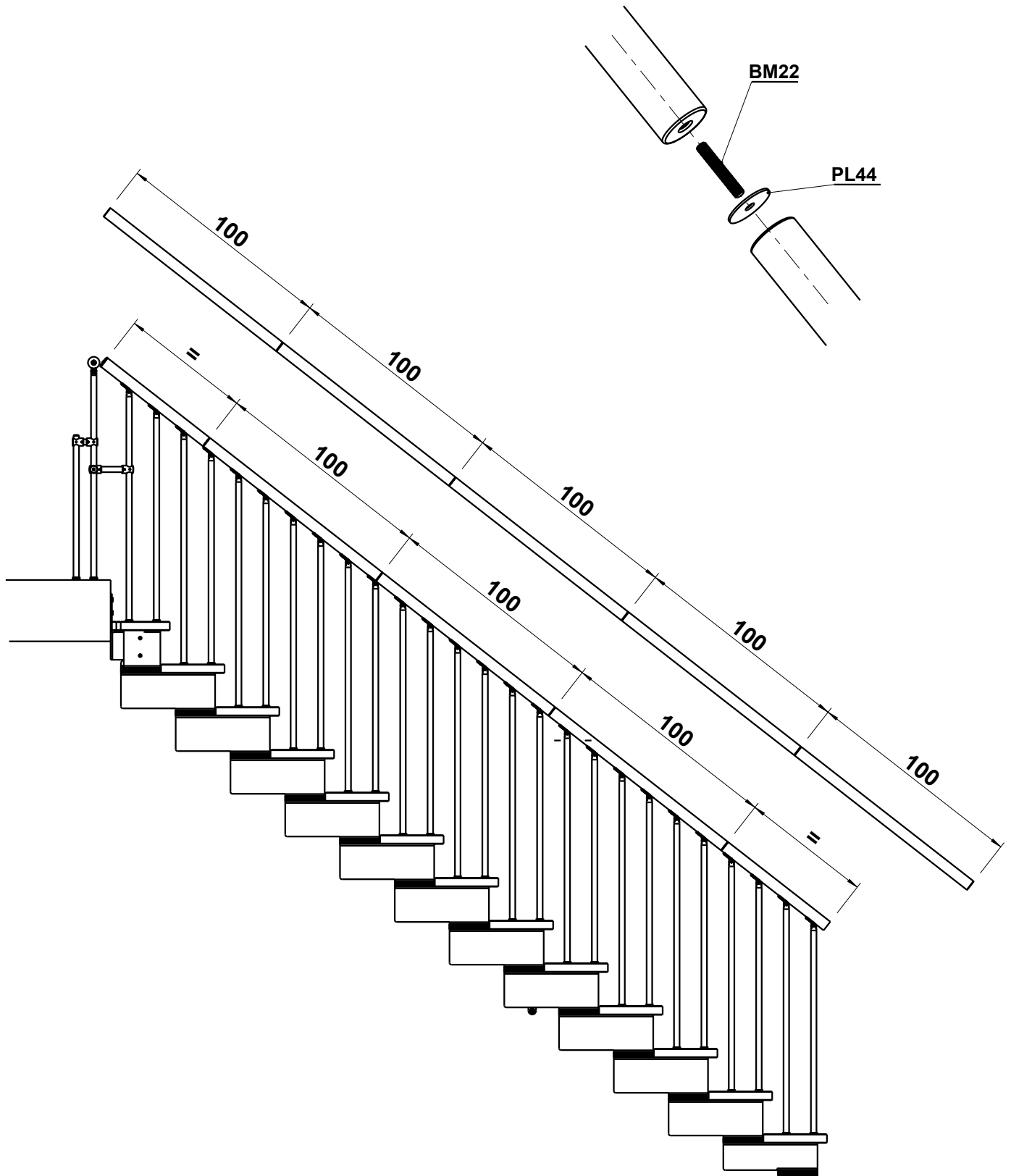


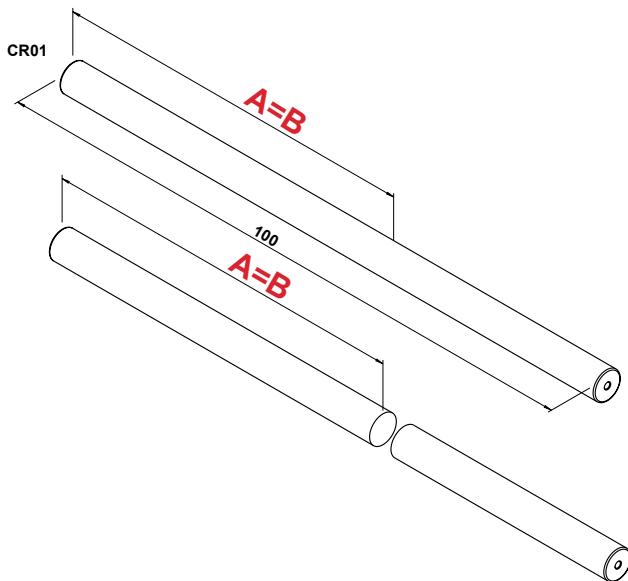
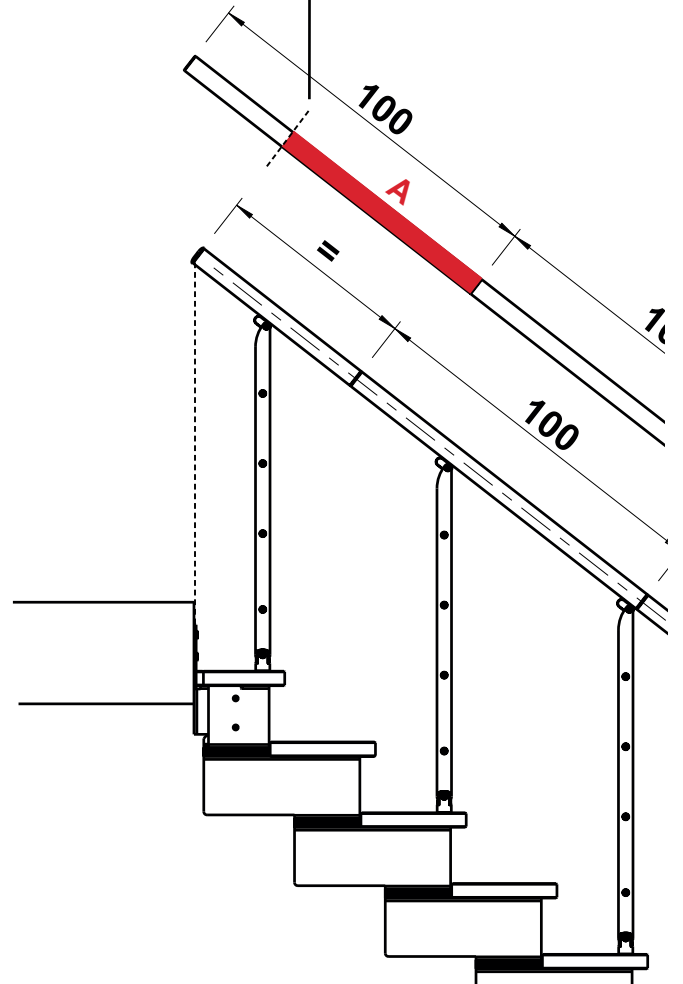
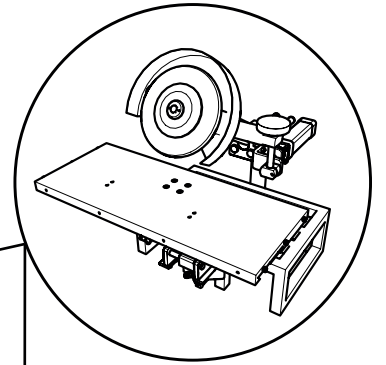
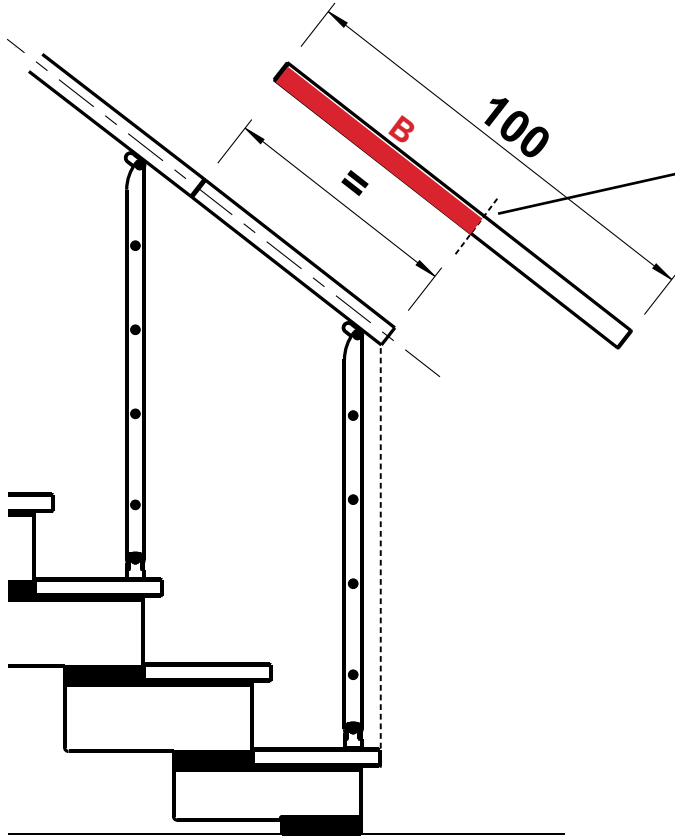


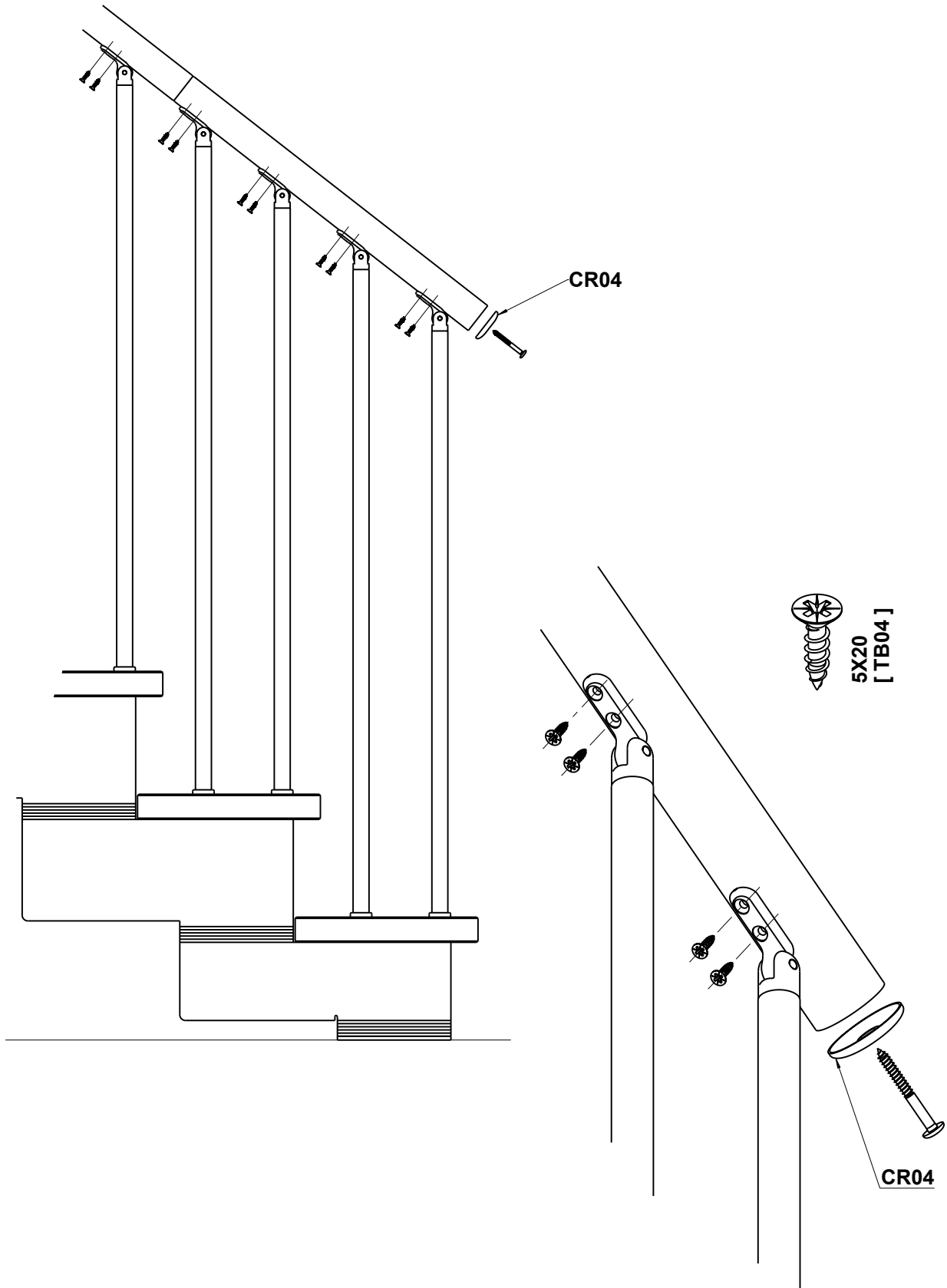












Composity Tube railing installation manual. Configuration I-L	Code 650609200	Rev. 1	Date 21-03-2017
--	--------------------------	------------------	---------------------------

