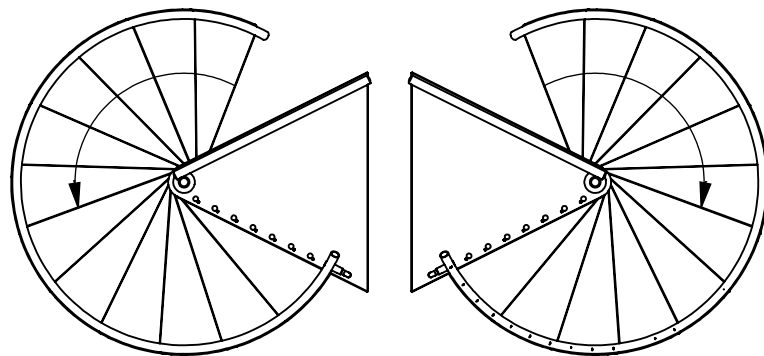
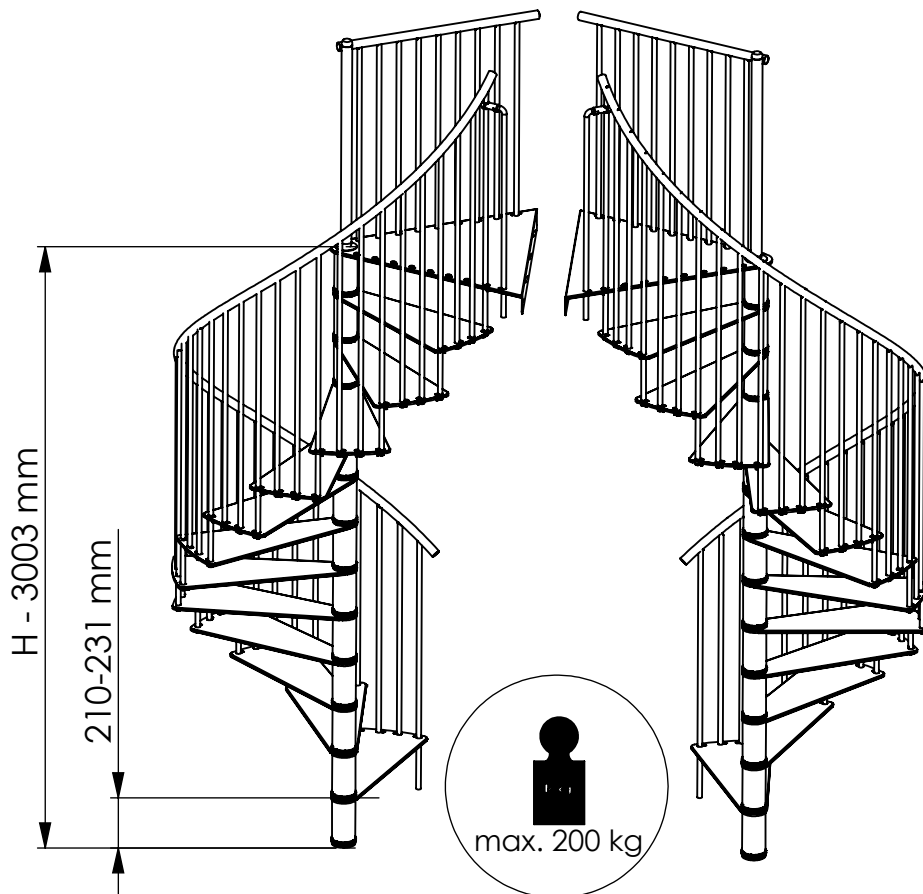
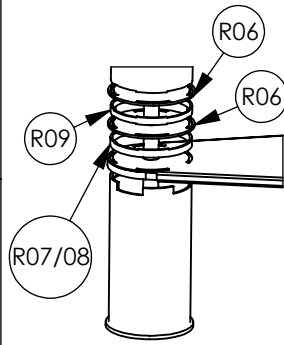
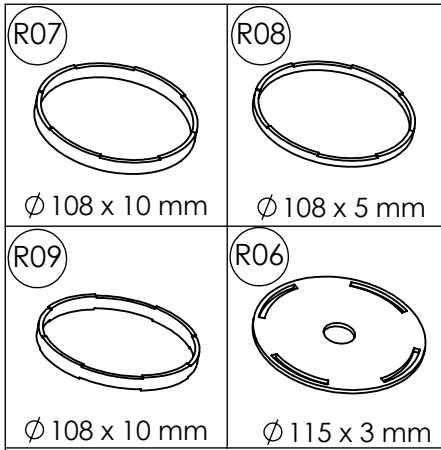
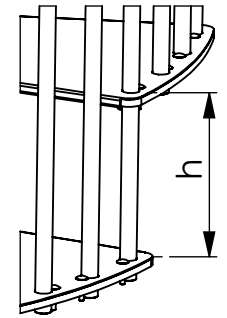


| | 9 | 10 | 11 | 12 | 13 |
|-------|--------|--------|--------|--------|--------|
| H min | 1890mm | 2100mm | 2310mm | 2520mm | 2730mm |
| H max | 2079mm | 2310mm | 2541mm | 2772mm | 3003mm |
| DM120 | 268° | 297° | 326° | 356° | 385° |
| DM140 | 233° | 258° | 283° | 308° | 334° |
| DM160 | 207° | 229° | 251° | 273° | 295° |





| | R06 | R07 | R08 | R09 | h[mm] |
|----|-----|-----|-----|-----|-------|
| h1 | 1x | 0x | 0x | 0x | 210 |
| h2 | 1x | 0x | 1x | 0x | 215 |
| h3 | 1x | 1x | 0x | 0x | 220 |
| h4 | 2x | 0x | 1x | 1x | 226 |
| h5 | 2x | 1x | 0x | 1x | 231 |

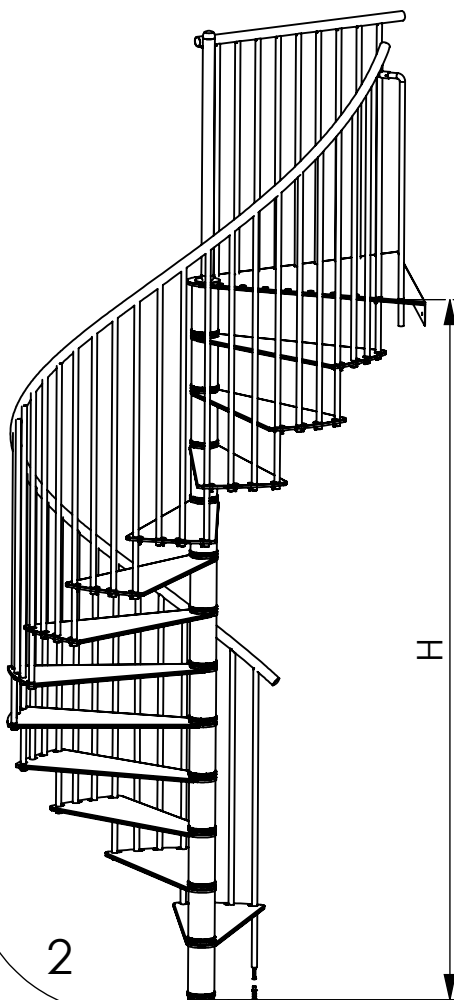


| H [mm] | h1 | h2 |
|--------|-----|-----|
| 2730 | 13x | |
| 2735 | 12x | 1x |
| 2740 | 11x | 2x |
| 2745 | 10x | 3x |
| 2750 | 9x | 4x |
| 2755 | 8x | 5x |
| 2760 | 7x | 6x |
| 2765 | 6x | 7x |
| 2770 | 5x | 8x |
| 2775 | 4x | 9x |
| 2780 | 3x | 10x |
| 2785 | 2x | 11x |
| 2790 | 1x | 12x |

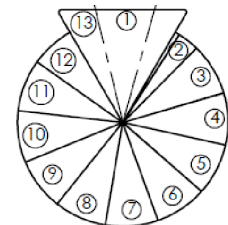
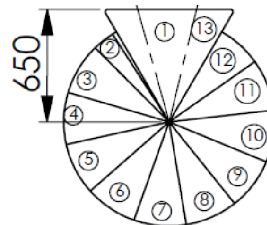
| H [mm] | h2 | h3 |
|--------|-----|-----|
| 2795 | 13x | |
| 2800 | 12x | 1x |
| 2805 | 11x | 2x |
| 2810 | 10x | 3x |
| 2815 | 9x | 4x |
| 2820 | 8x | 5x |
| 2825 | 7x | 6x |
| 2830 | 6x | 7x |
| 2835 | 5x | 8x |
| 2840 | 4x | 9x |
| 2845 | 3x | 10x |
| 2850 | 2x | 11x |
| 2855 | 1x | 12x |

| H [mm] | h3 | h4 |
|--------|-----|-----|
| 2860 | 13x | |
| 2866 | 12x | 1x |
| 2872 | 11x | 2x |
| 2878 | 10x | 3x |
| 2884 | 9x | 4x |
| 2890 | 8x | 5x |
| 2896 | 7x | 6x |
| 2902 | 6x | 7x |
| 2908 | 5x | 8x |
| 2914 | 4x | 9x |
| 2920 | 3x | 10x |
| 2926 | 2x | 11x |
| 2932 | 1x | 12x |

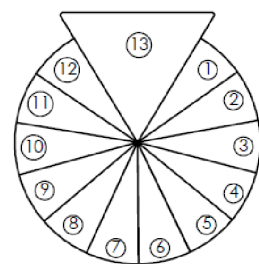
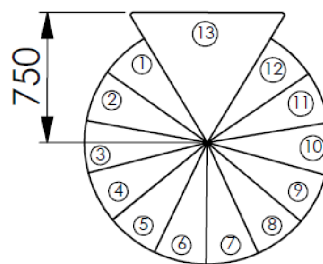
| H [mm] | h4 | h5 |
|--------|-----|-----|
| 2938 | 13x | |
| 2943 | 12x | 1x |
| 2948 | 11x | 2x |
| 2953 | 10x | 3x |
| 2958 | 9x | 4x |
| 2963 | 8x | 5x |
| 2968 | 7x | 6x |
| 2973 | 6x | 7x |
| 2978 | 5x | 8x |
| 2983 | 4x | 9x |
| 2988 | 3x | 10x |
| 2993 | 2x | 11x |
| 2998 | 1x | 12x |
| 3003 | | 13x |



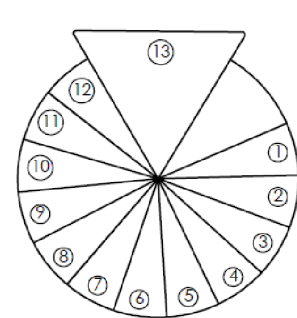
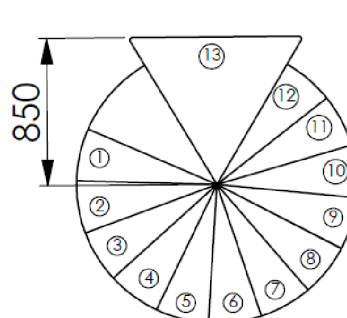
DM 120

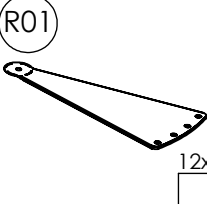
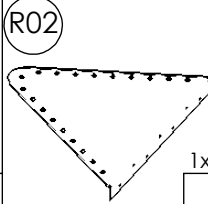
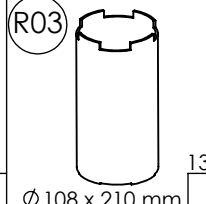
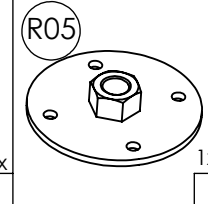
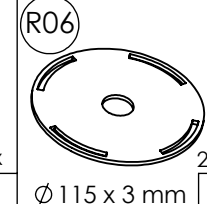
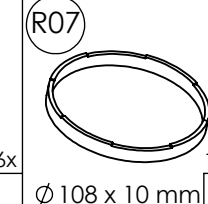
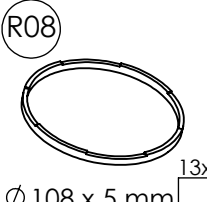
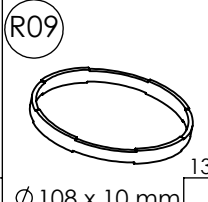
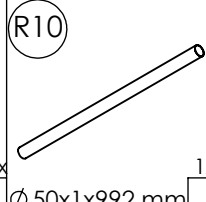
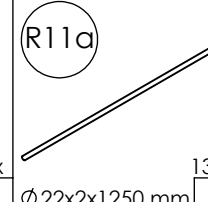
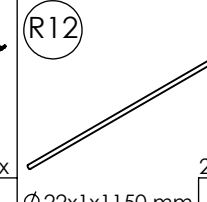
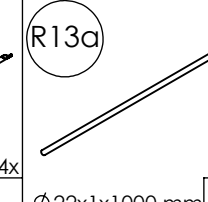
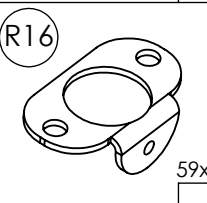
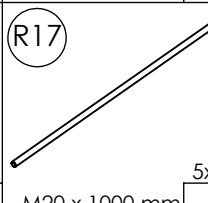
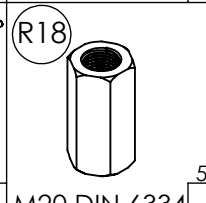
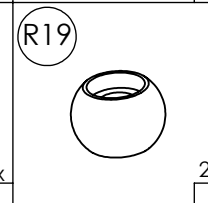

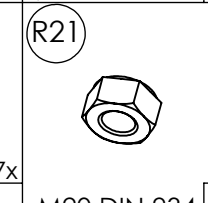
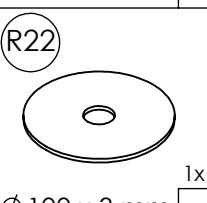
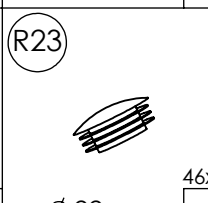
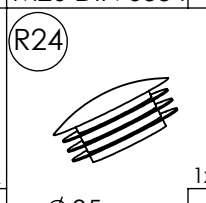
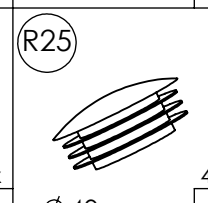
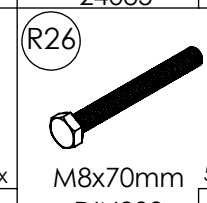
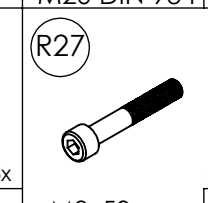
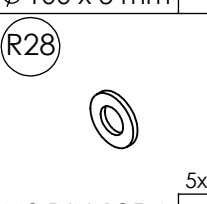
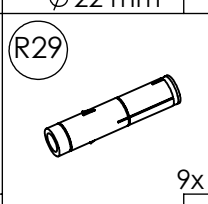
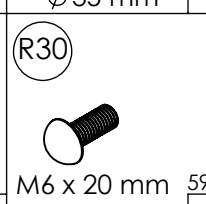
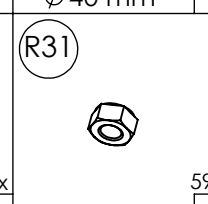
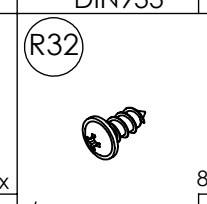
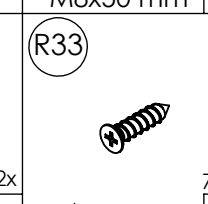
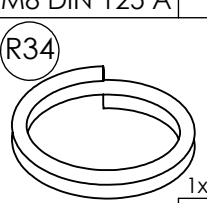
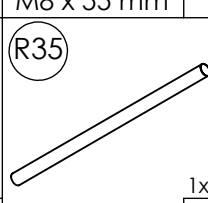
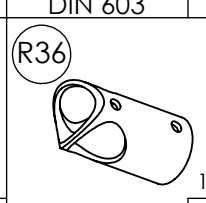
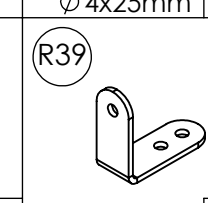
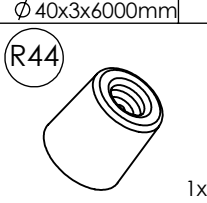
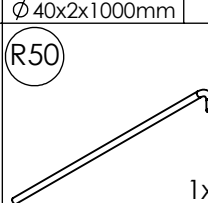
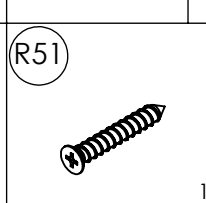
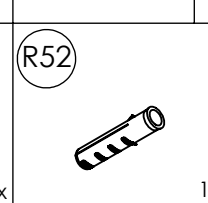
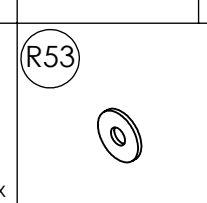


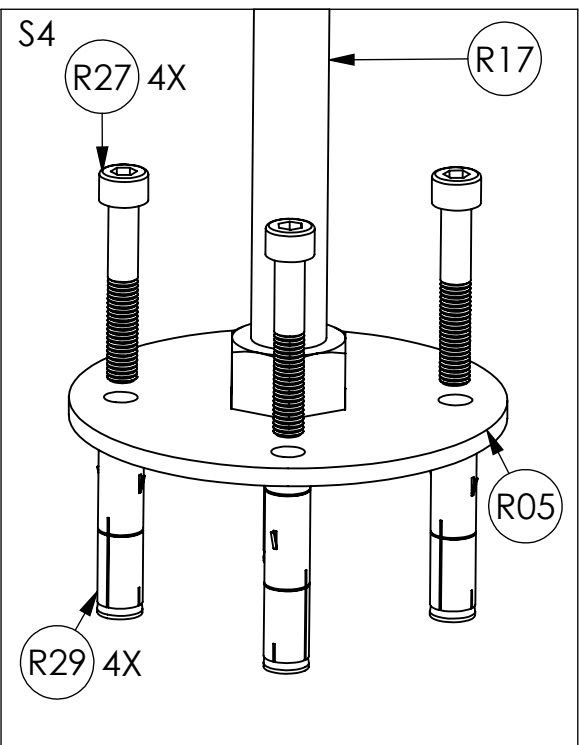
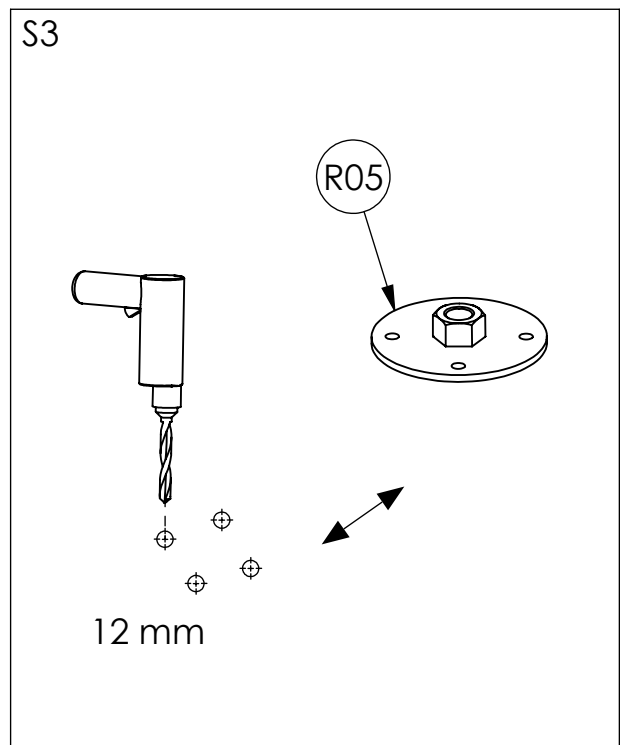
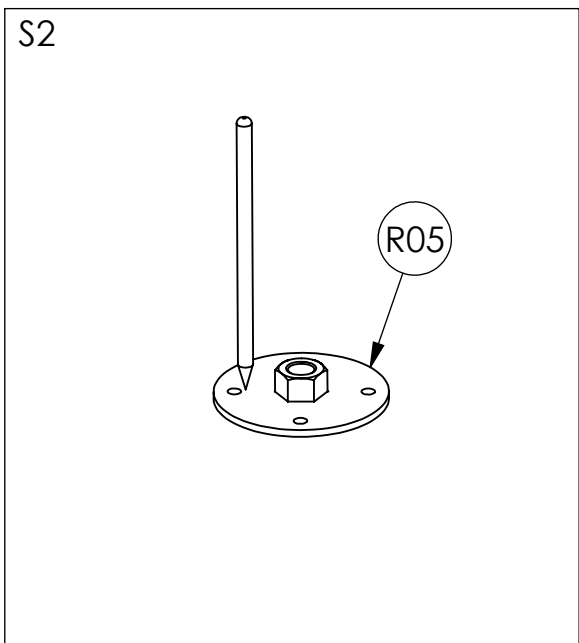
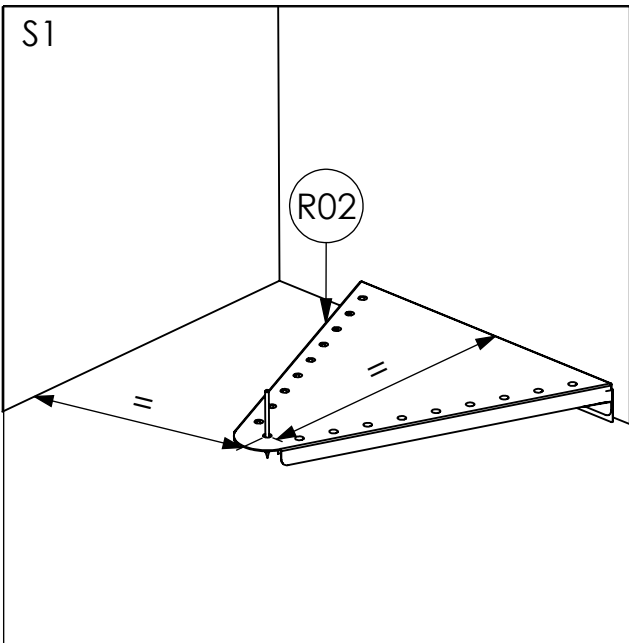
DM 140



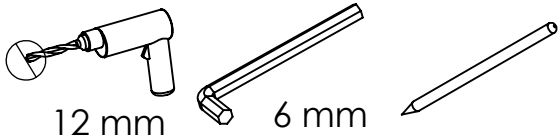
DM 160

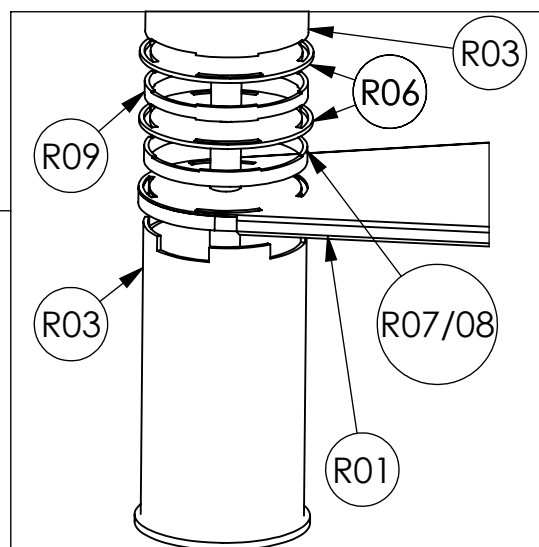
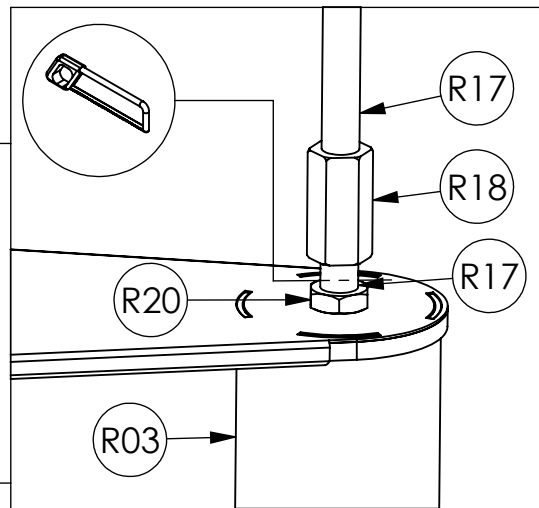
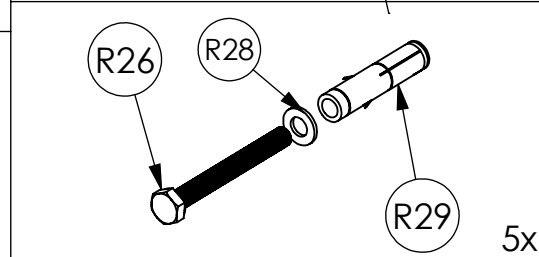
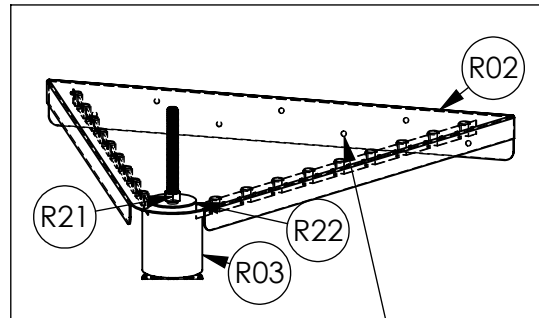
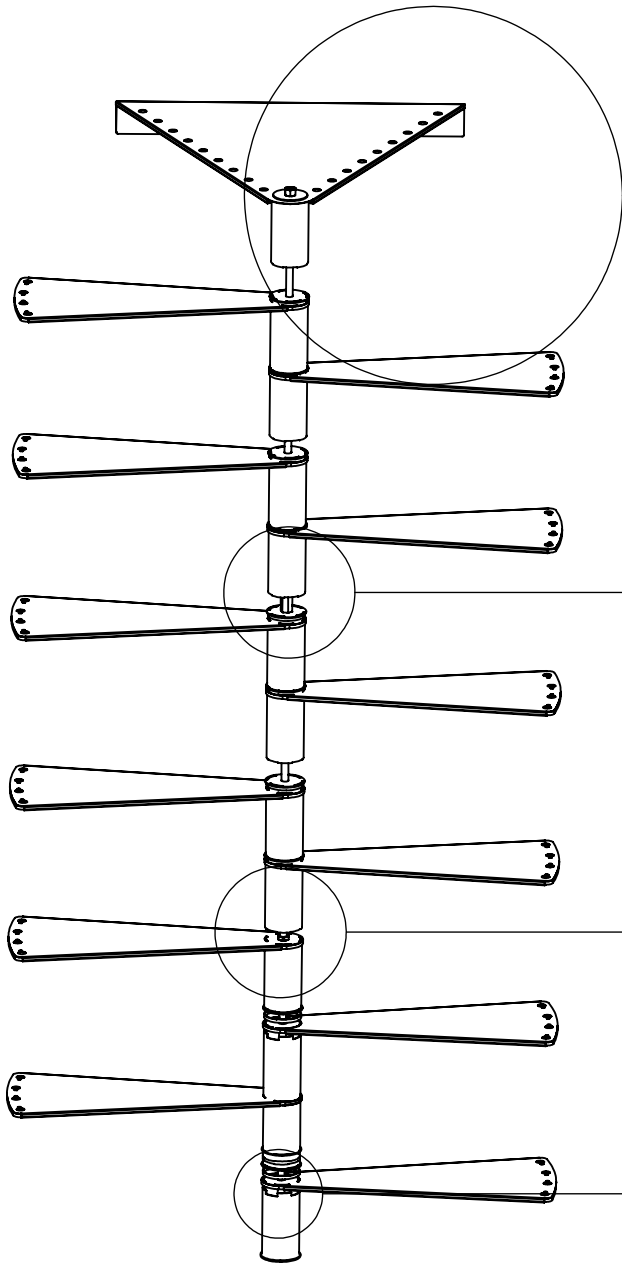


| | | | | | |
|---|---|---|--|---|---|
|  <p>R01 12x</p> |  <p>R02 1x</p> |  <p>R03 13x Ø 108 x 210 mm</p> |  <p>R05 1x</p> |  <p>R06 26x Ø 115 x 3 mm</p> |  <p>R07 13x Ø 108 x 10 mm</p> |
|  <p>R08 13x Ø 108 x 5 mm</p> |  <p>R09 13x Ø 108 x 10 mm</p> |  <p>R10 1x Ø 50x1x992 mm</p> |  <p>R11a 13x Ø 22x2x1250 mm</p> |  <p>R12 24x Ø 22x1x1150 mm</p> |  <p>R13a 9x Ø 22x1x1000 mm</p> |
|  <p>R16 59x</p> |  <p>R17 5x M20 x 1000 mm</p> |  <p>R18 5x M20 DIN 6334</p> |  <p>R19 2x</p> |  <p>R20 7x M20 DIN-EN 24035</p> |  <p>R21 1x M20 DIN 934</p> |
|  <p>R22 1x Ø 100 x 3 mm</p> |  <p>R23 46x Ø 22 mm</p> |  <p>R24 1x Ø 35 mm</p> |  <p>R25 4x Ø 40 mm</p> |  <p>R26 5x M8x70mm DIN933</p> |  <p>R27 4x M8x50 mm</p> |
|  <p>R28 5x M8 DIN 125 A</p> |  <p>R29 9x M8 x 55 mm</p> |  <p>R30 59x M6 x 20 mm DIN 603</p> |  <p>R31 59x M6 DIN 934</p> |  <p>R32 82x Ø 4,8 x 16 mm</p> |  <p>R33 74x Ø 4x25mm</p> |
|  <p>R34 1x Ø 40x3x6000mm</p> |  <p>R35 1x Ø 40x2x1000mm</p> |  <p>R36 1x</p> | | |  <p>R39 1x</p> |
|  <p>R44 1x Ø 18 x 18 mm</p> |  <p>R50 1x Ø 22x1x1045+140mm</p> |  <p>R51 1x Ø 4x50mm</p> |  <p>R52 1x Ø 6 mm</p> |  <p>R53 1x M5 DIN 9021</p> | |

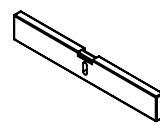
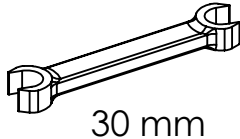
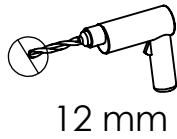
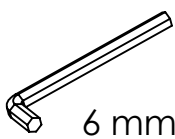


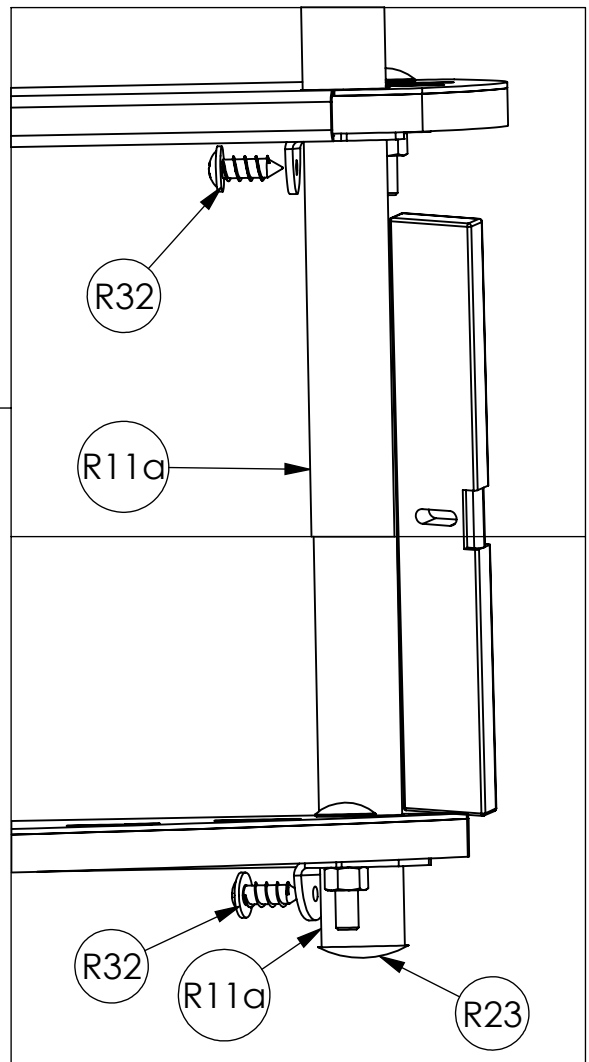
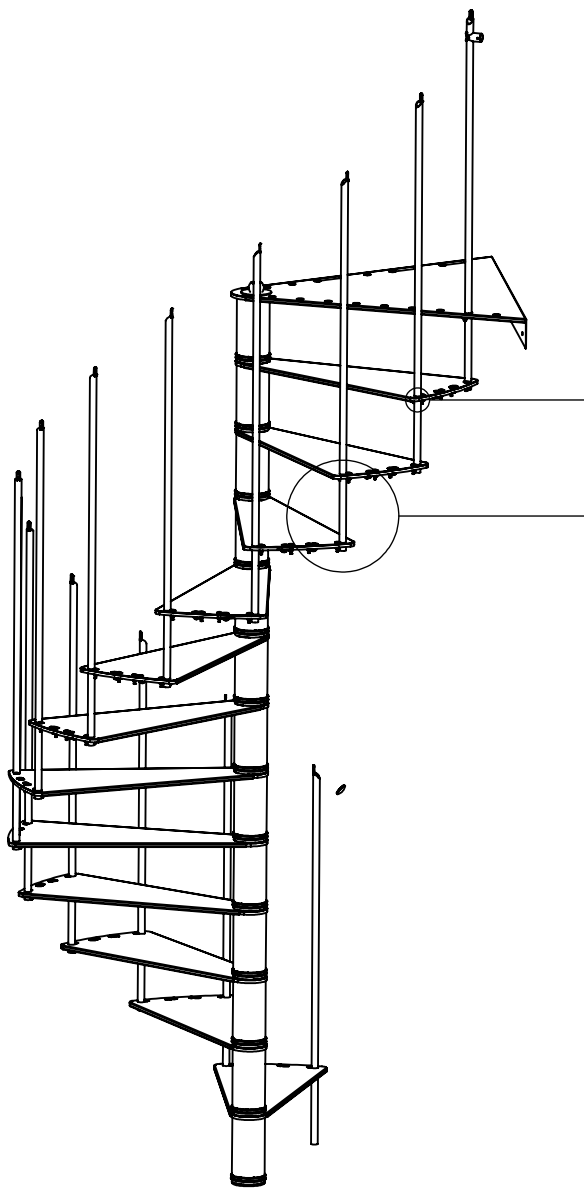
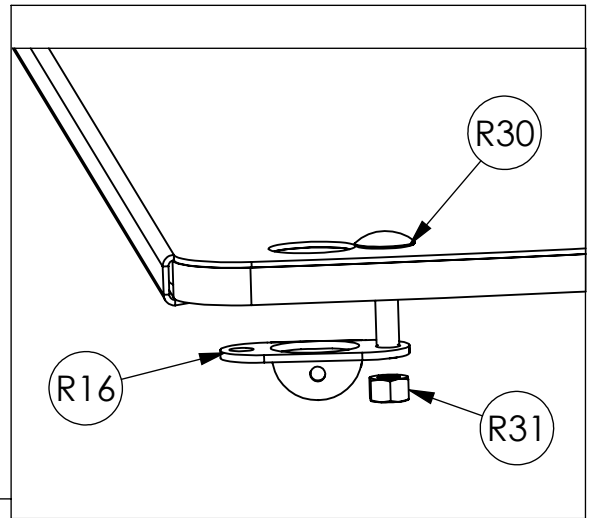
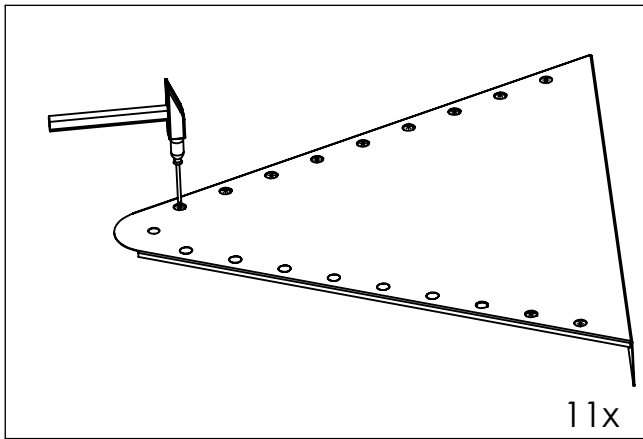
4



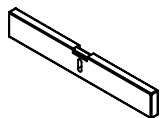
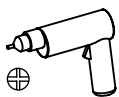


5

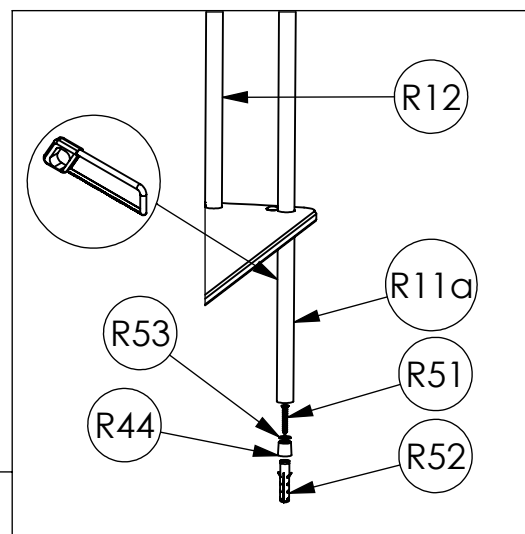
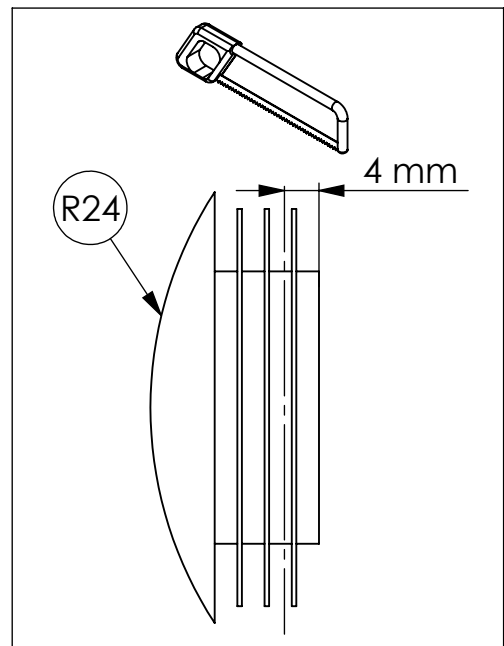
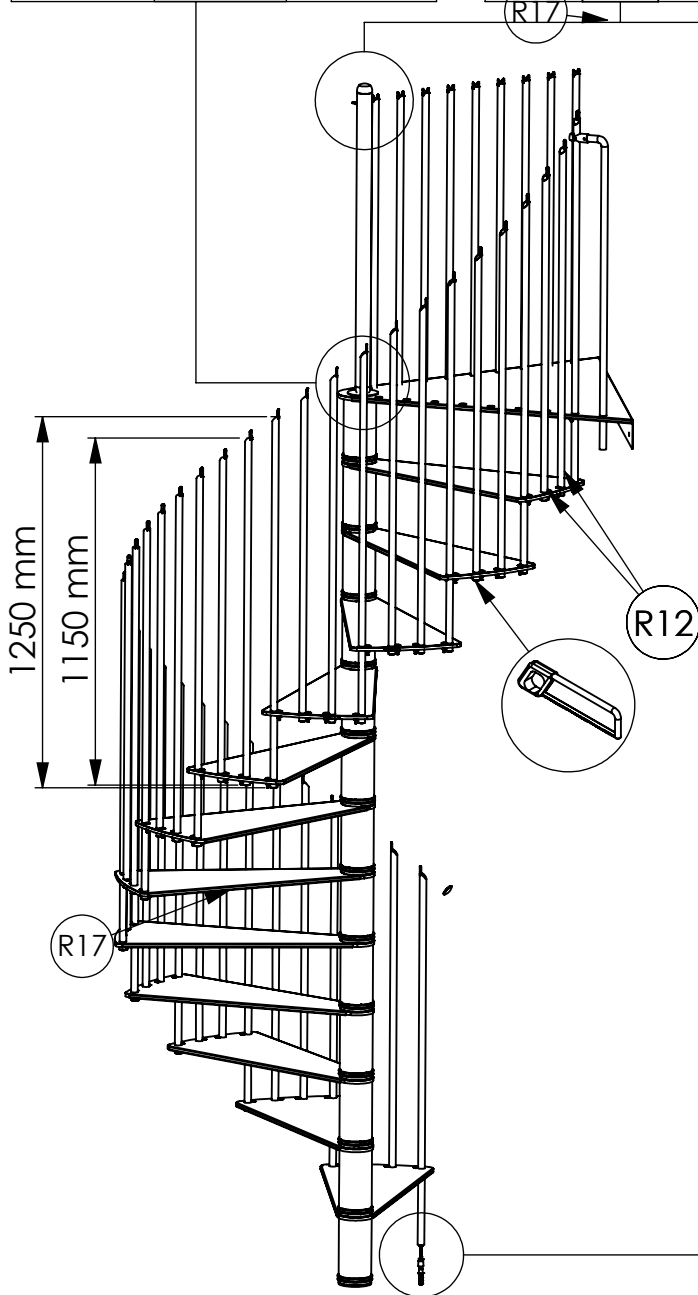
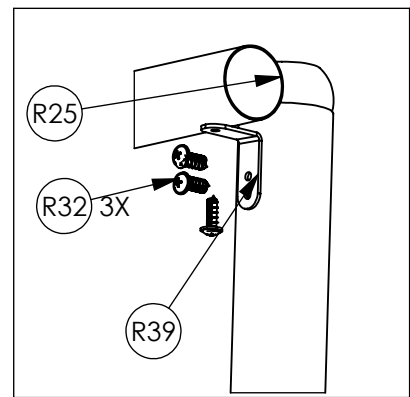
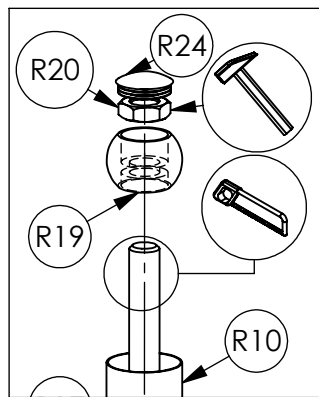
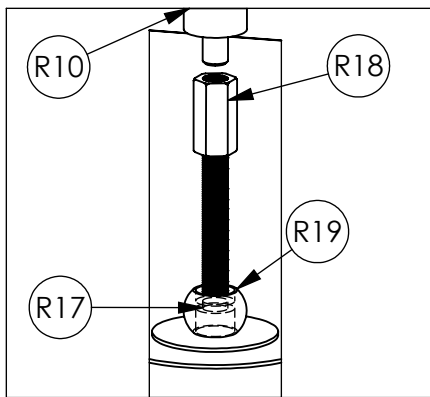




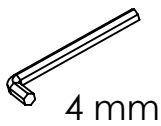
6



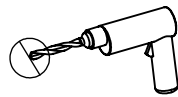
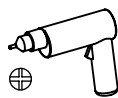
10 mm



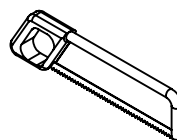
7

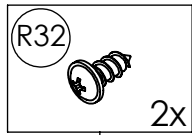
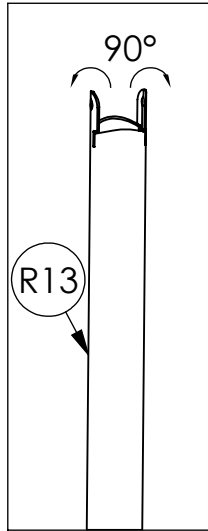


4 mm

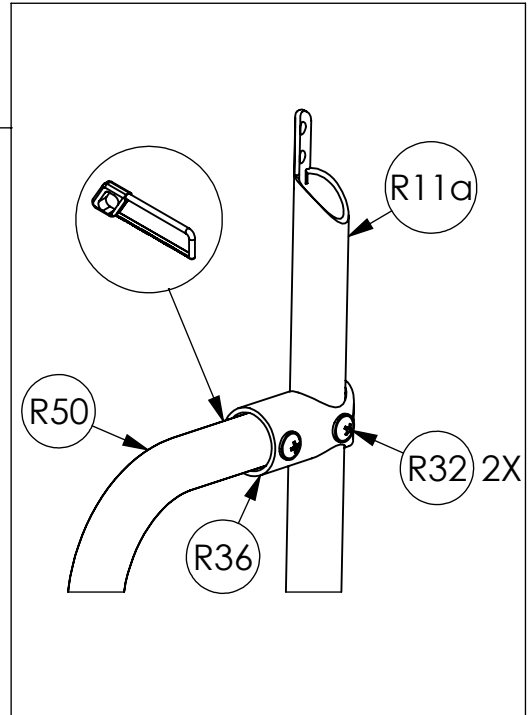
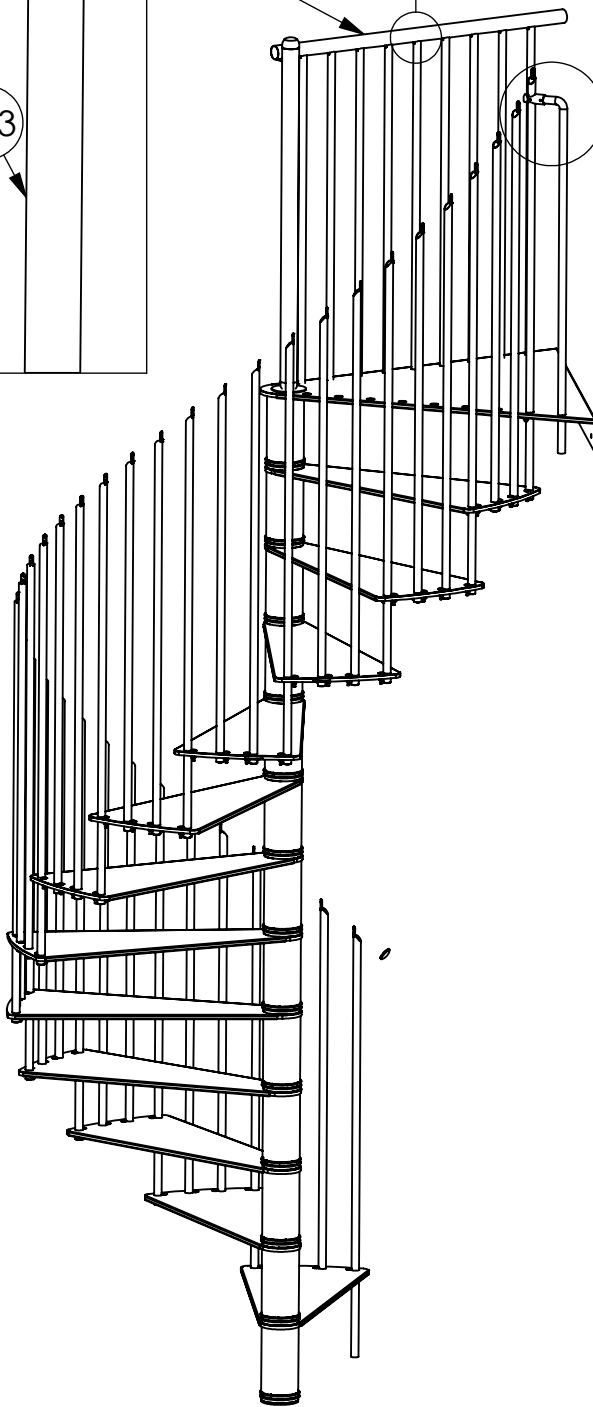


6 mm





R35



8



4 mm

