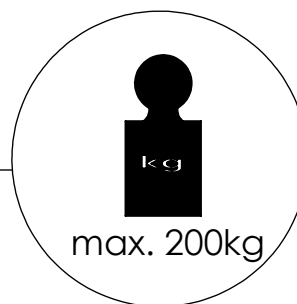
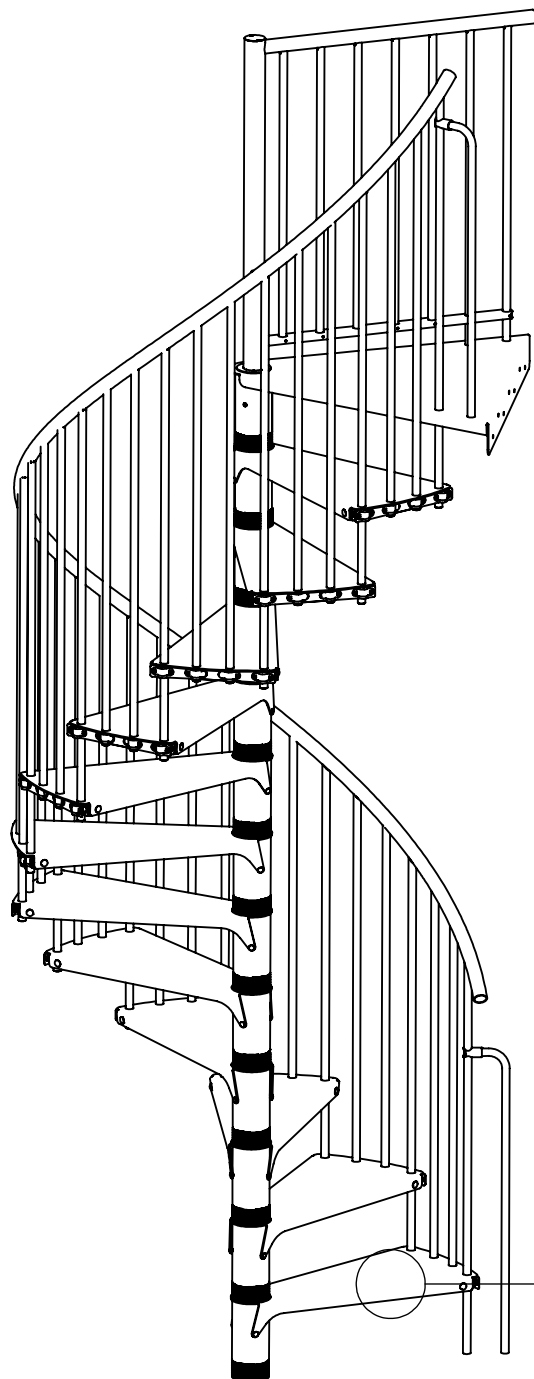
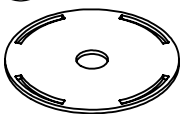

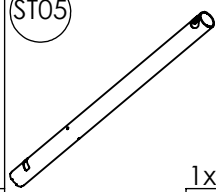
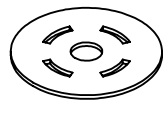
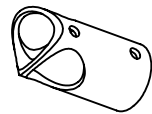
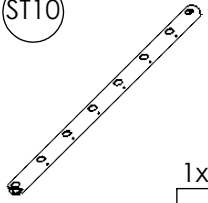
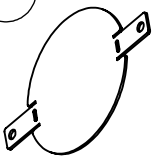
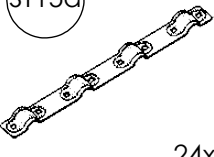

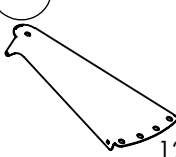
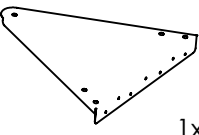

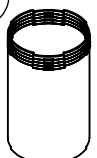
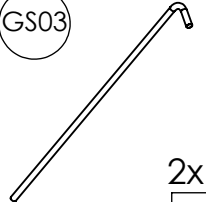
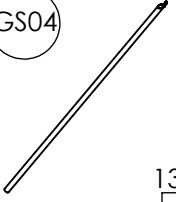
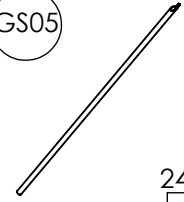
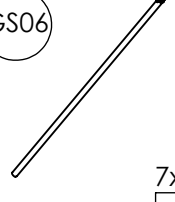
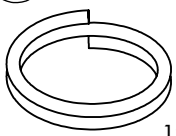
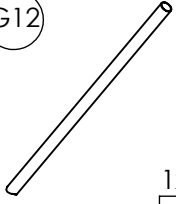

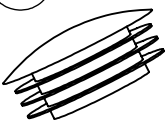

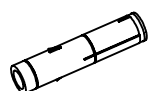

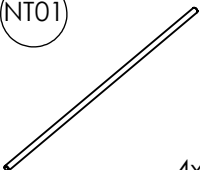
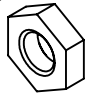
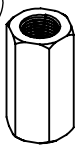
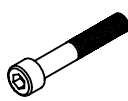




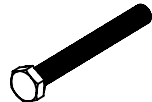



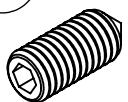

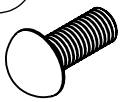


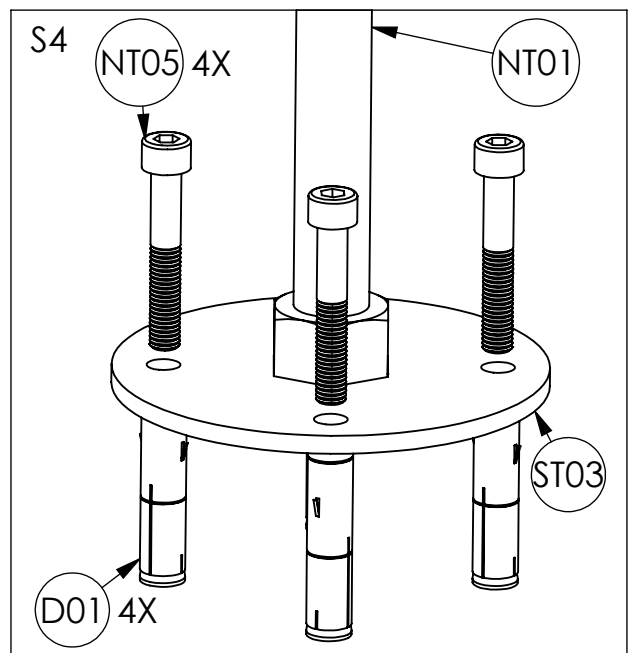
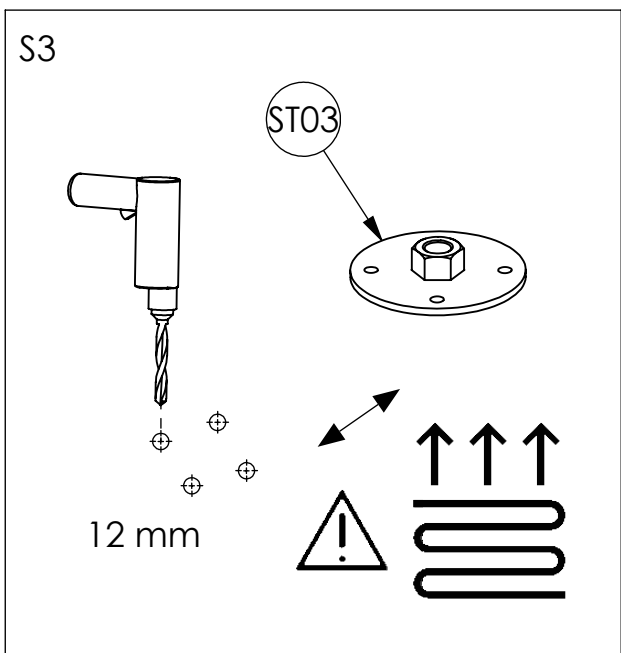
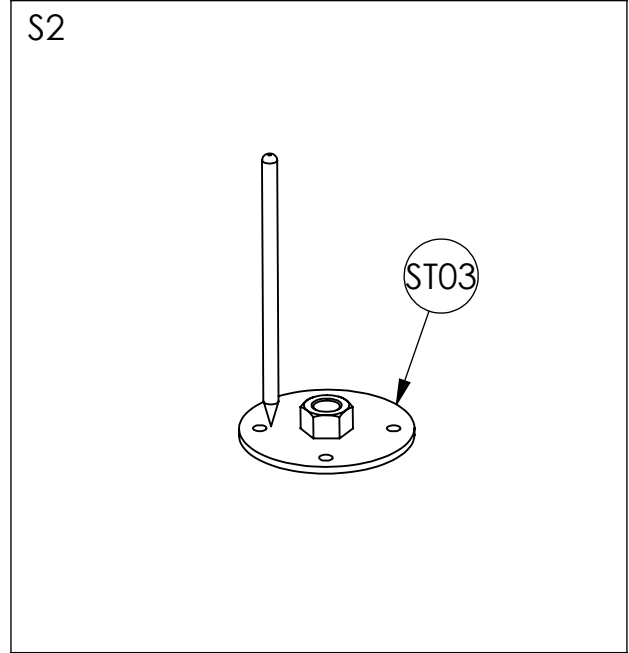
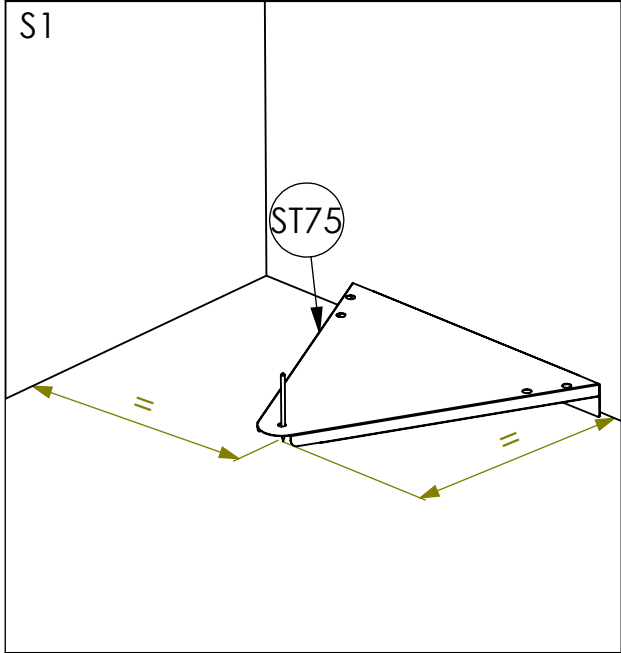
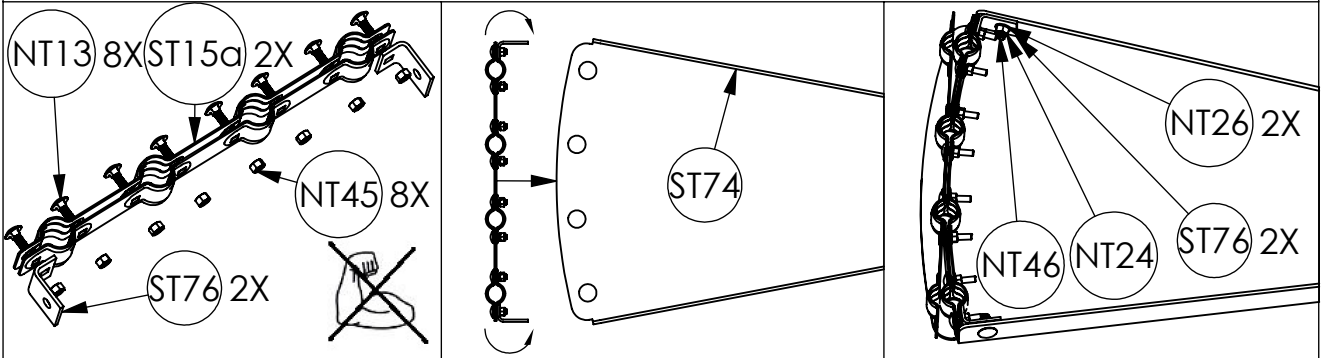
	9	10	11	12	13
H min	1710mm	1900mm	2090mm	2280mm	2470mm
H max	2115mm	2350mm	2585mm	2820mm	3055mm



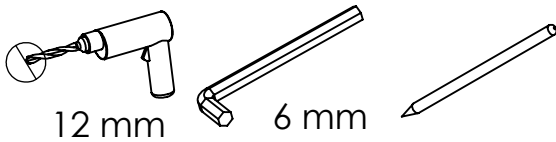
Rondo Smart/Rondo Zink Smart/Rondo Zink Color 10111_02

<p>ST02</p>  <p>14x Ø 115 x 3 mm</p>	<p>ST03</p>  <p>1x</p>	<p>ST05</p>  <p>1x Ø 60 x 1000x4 mm</p>	<p>ST06</p>  <p>1x Ø 100 x 3 mm</p>	<p>ST07</p>  <p>2x Ø 28x2x50 mm</p>	<p>ST10</p>  <p>1x</p>
<p>ST12</p>  <p>1x Ø 60 mm</p>	<p>ST15a</p>  <p>24x</p>	<p>ST15b</p>  <p>4x</p>	<p>ST74</p>  <p>12x</p>	<p>ST75</p>  <p>1x</p>	<p>ST76</p>  <p>24x</p>
<p>ST77</p>  <p>13x Ø 108x220 mm</p>	<p>GS03</p>  <p>2x Ø 22x1x913+170mm</p>	<p>GS04</p>  <p>13x Ø 22x2x1275 mm</p>	<p>GS05</p>  <p>24x Ø 22x1x1175 mm</p>	<p>GS06</p>  <p>7x Ø 22x2x1030 mm</p>	<p>G01</p>  <p>1x Ø 40x3x6000mm</p>
<p>G12</p>  <p>1x Ø 40x3x1000 mm</p>	<p>KS01</p>  <p>39x Ø 22 mm</p>	<p>KS02</p>  <p>3x Ø 40 mm</p>	<p>KS06</p>  <p>2x</p>	<p>D01</p>  <p>9x Ø 12 mm</p>	<p>D03</p>  <p>2x Ø 6 mm</p>
<p>NT01</p>  <p>4x M20 x 1000 mm</p>	<p>NT02</p>  <p>13x M20 DIN-EN 24035</p>	<p>NT03</p>  <p>4x M20 DIN 6334</p>	<p>NT05</p>  <p>4x M8x50 mm</p>	<p>NT07</p>  <p>20x Ø 4,2 x 19 mm</p>	<p>NT08</p>  <p>2x Ø 4 x 50 mm</p>
<p>NT11</p>  <p>94x Ø 4x25mm</p>	<p>NT13</p>  <p>104x M6 x 16 mm DIN 603</p>	<p>NT20</p>  <p>5x M8x70 mm</p>	<p>NT24</p>  <p>48x M8</p>	<p>NT26</p>  <p>29x M8 DIN 125</p>	<p>NT39</p>  <p>2x M5 DIN 9021</p>
<p>NT40</p>  <p>3x M8x20mm</p>	<p>NT45</p>  <p>104x M6 DIN 934</p>	<p>NT46</p>  <p>48x M8 x 30 mm DIN 603</p>			

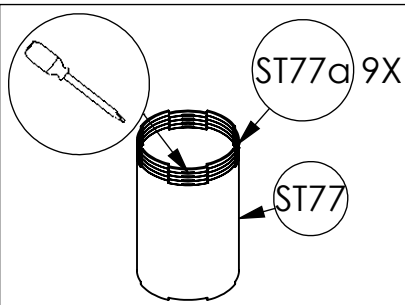
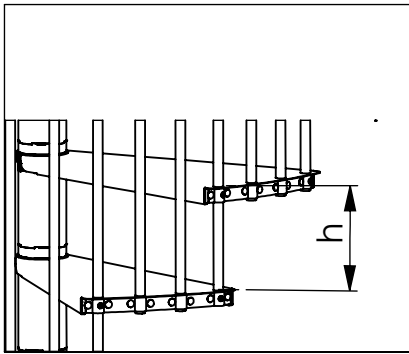
Rondo Smart/Rondo Zink Smart/Rondo Zink Color 10111_02



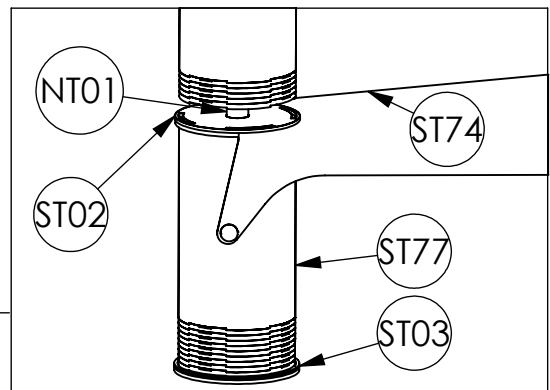
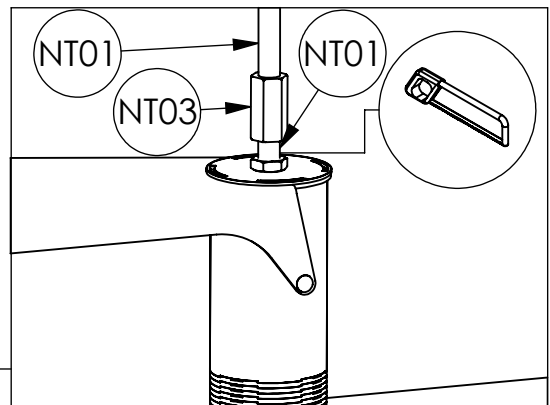
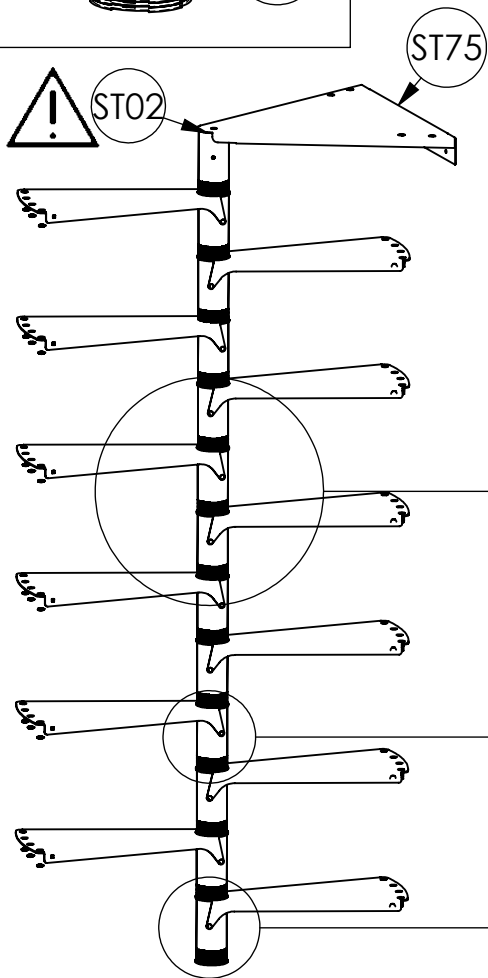
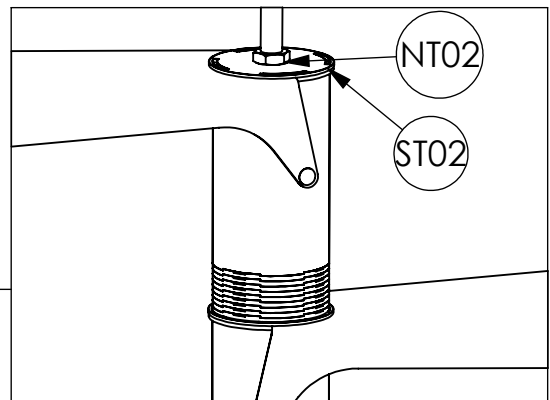
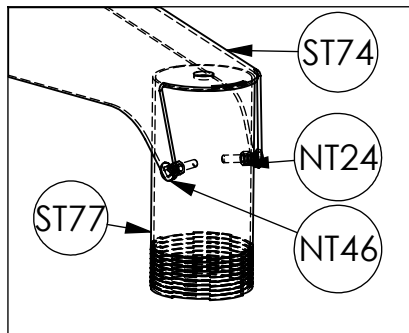
3



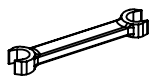
Rondo Smart/Rondo Zink Smart/Rondo Zink Color 10111_02



h	ST77a
190 mm	0x
195 mm	1x
200 mm	2x
205 mm	3x
210 mm	4x
215 mm	5x
220 mm	6x
225 mm	7x
230 mm	8x
235 mm	9x



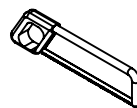
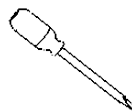
4



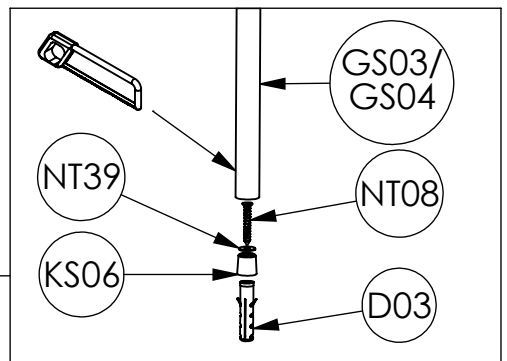
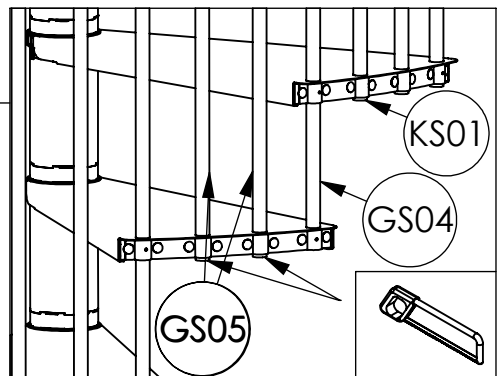
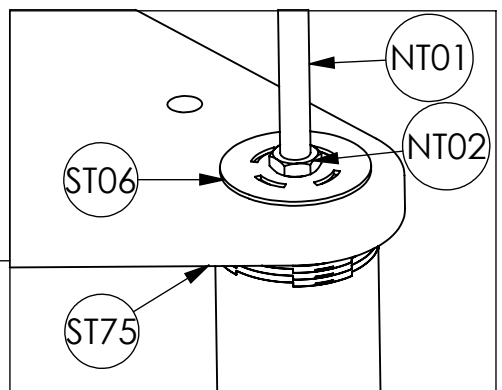
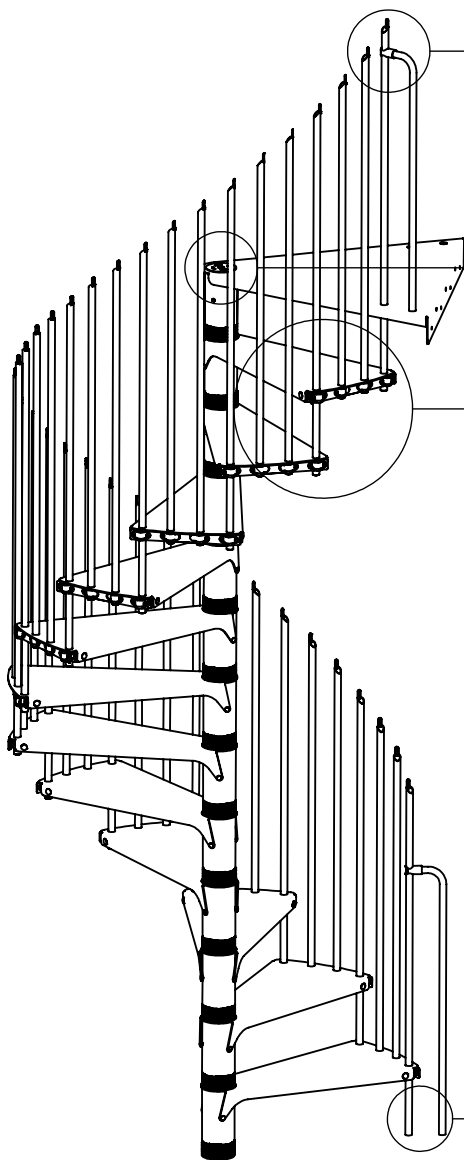
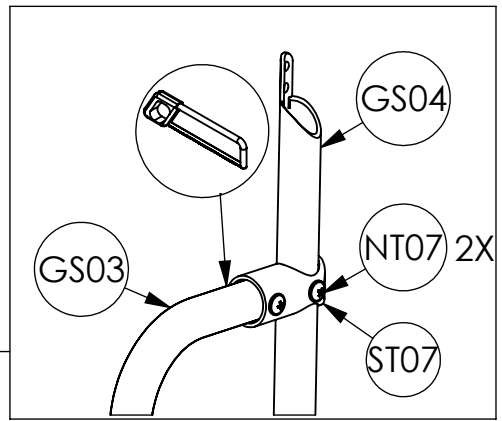
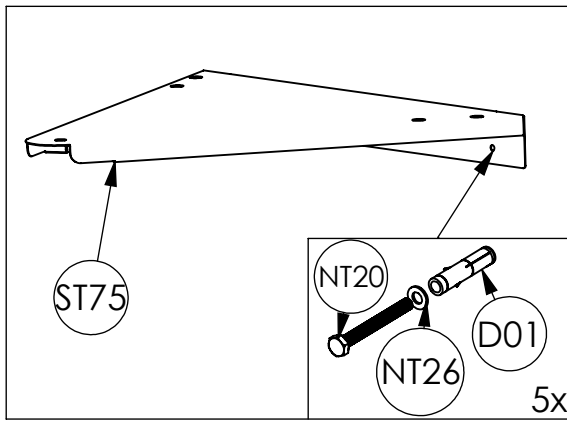
30 mm



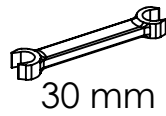
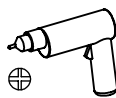
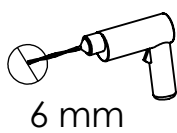
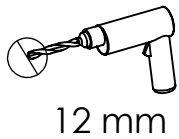
13 mm

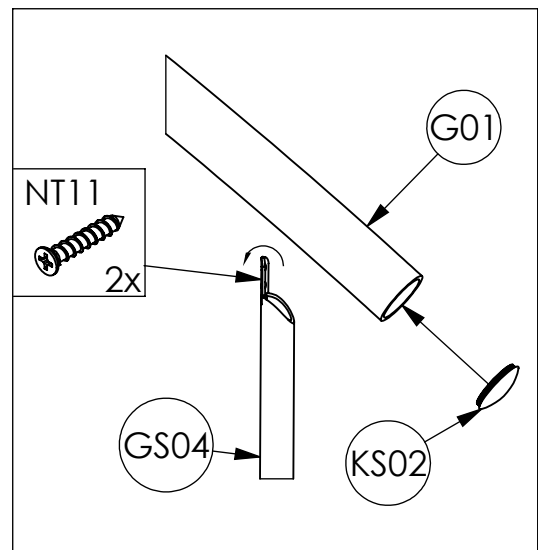
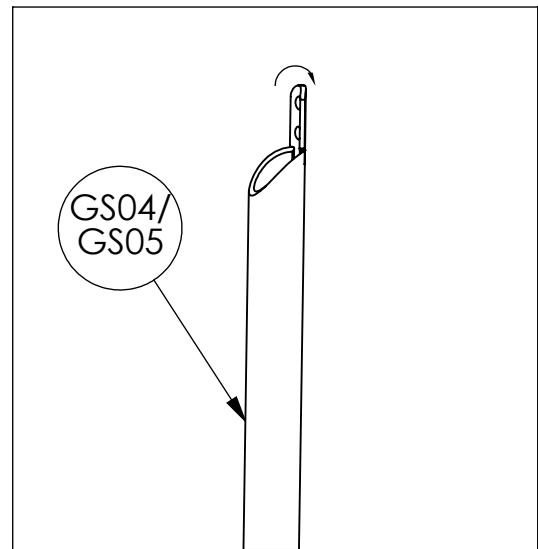
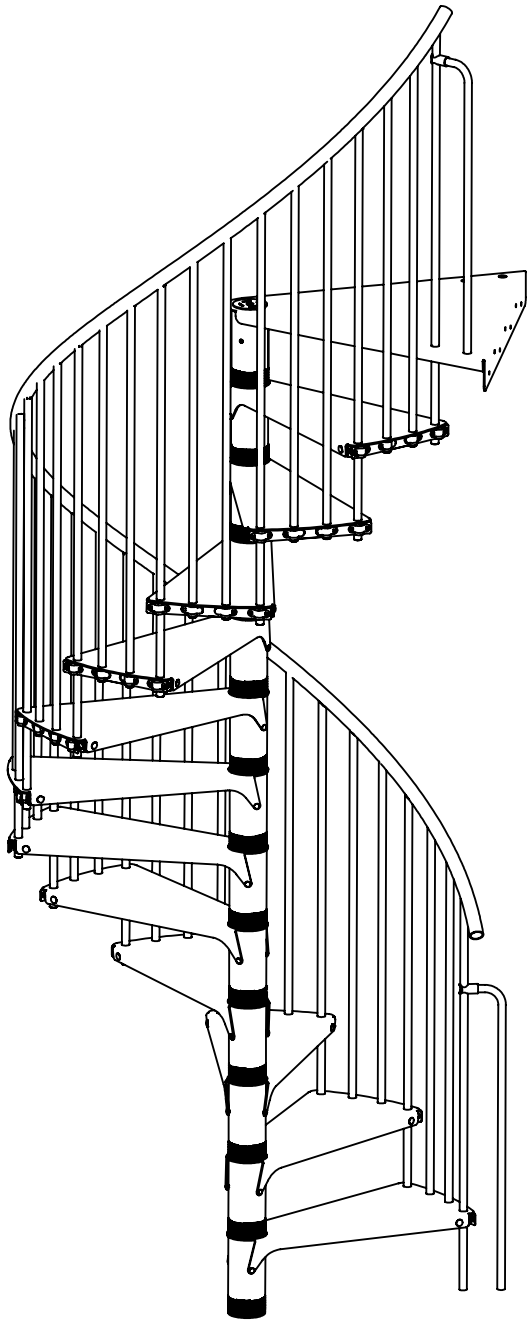


Rondo Smart/Rondo Zink Smart/Rondo Zink Color 10111_02

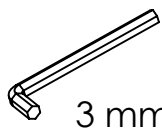


5

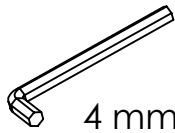




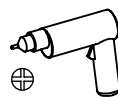
6

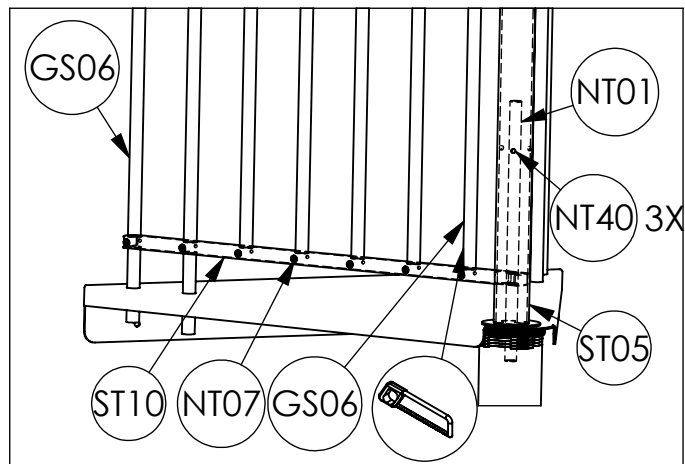
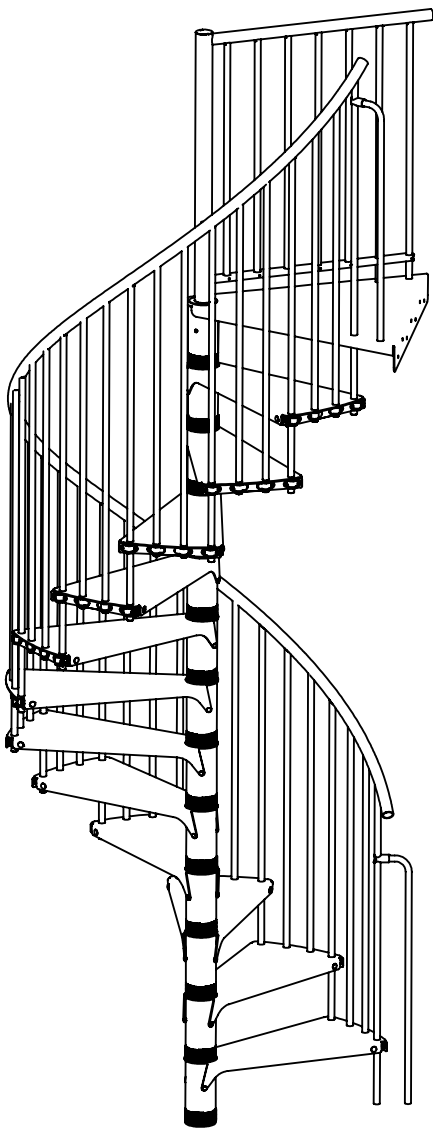
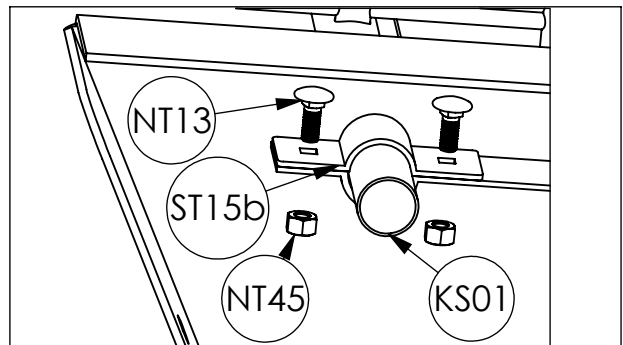
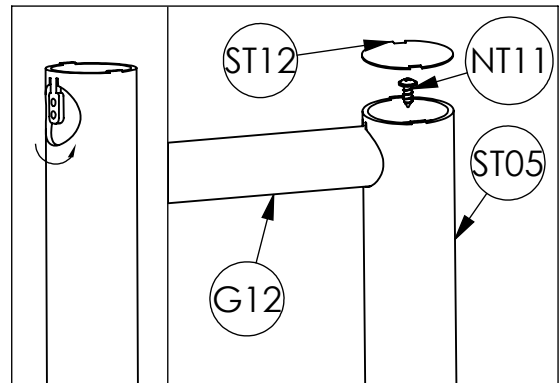
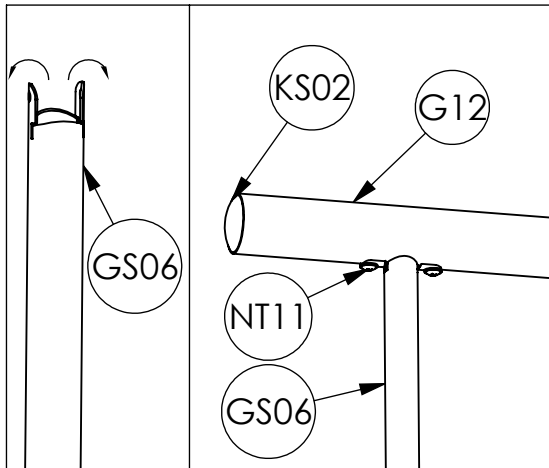


3 mm

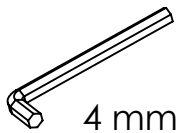


4 mm





7



4 mm