

MATERIALS AND COLORS

STEPS

- In painted steel
- Maximum stability and mechanical strength
- Matt, scratch-proof, oven-dried epoxy powder coating
- Anti slip thanks to the strips on the steps

HANDRAIL

- In plastic material

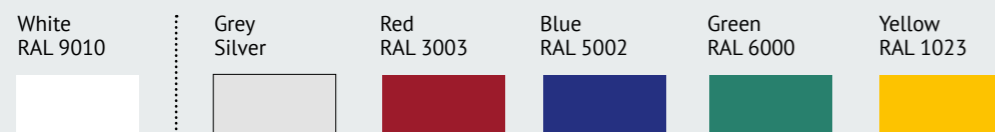
STRUCTURE

- Composed of painted steel spacers on which the steps are welded
- Powder coated with matt scratch proof finish

RAILING

- Vertical columns in painted steel (distance between the columns less than 10 cm)

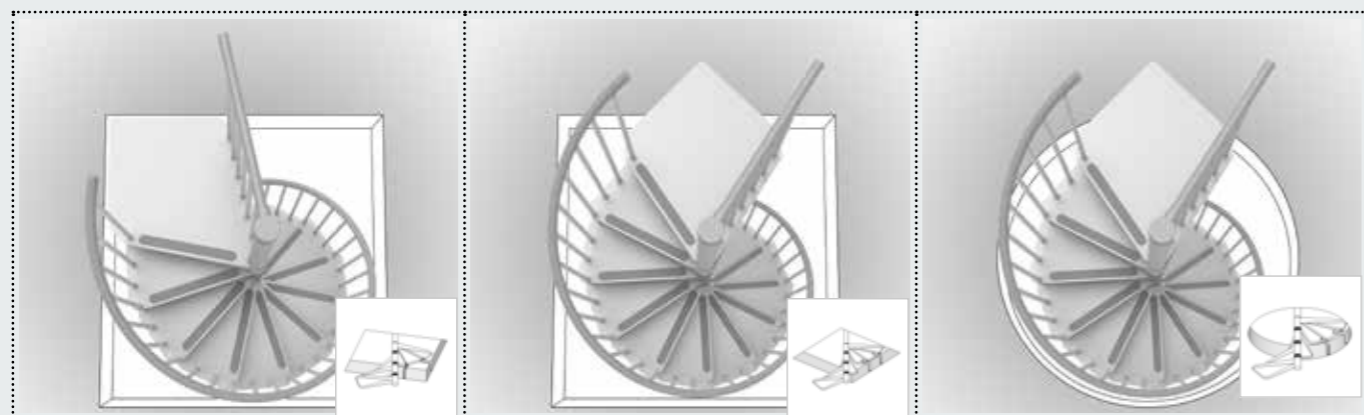
Steel colors (steps, structure and railing)



CONFIGURATIONS

SQUARE OPENING

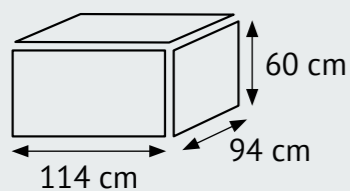
ROUND OPENING



UNIVERSAL LANDING WITH 60° OPENING: adaptable to any opening during installation.

PACKAGE

1 box = **1 complete staircase of 13 steps** (landing included)
Structure, steps, railing, handrail



The measures of the box may vary

MEASUREMENTS valid for all the configurations

The **SYSTEM FOR ADJUSTING THE HEIGHT BETWEEN THE STEPS (RISE)** allows you to:

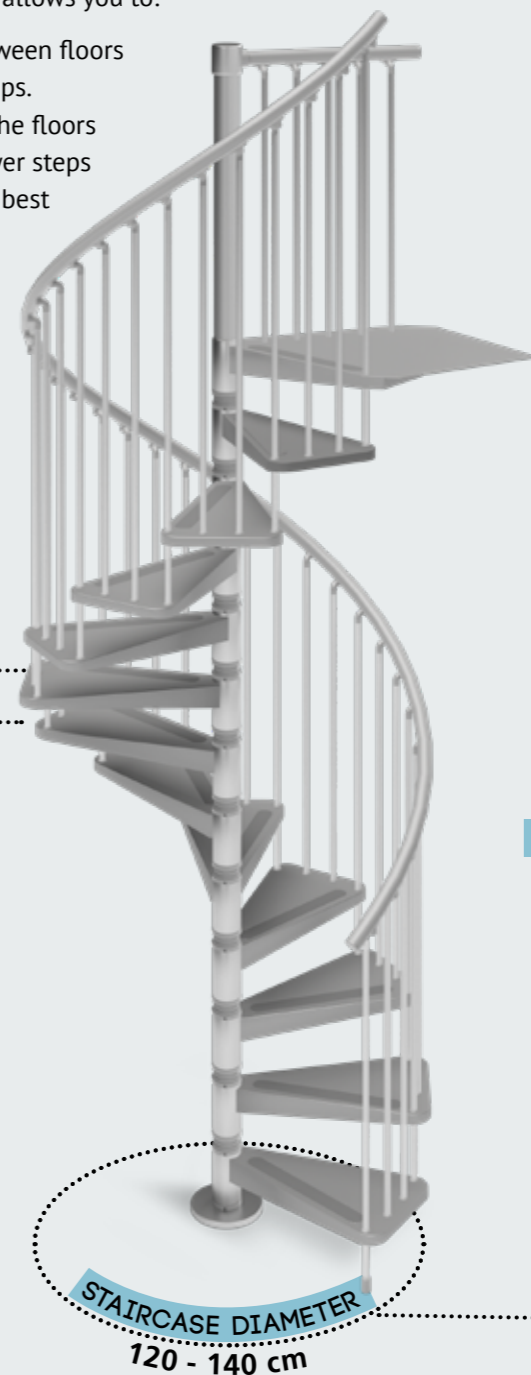
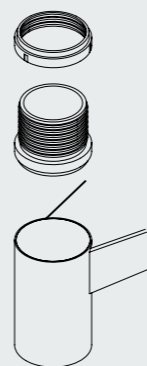
- Obtain different heights between floors with the same number of steps.
- Obtain the height between the floors as required with more or fewer steps (this means you can find the best compromise between the step height and the space occupied by the staircase).

ADJUSTABLE RISE

Height between steps

Min. 21 cm
Max. 23 cm

During installation it is possible to adjust the rise by changing the height of the spacers



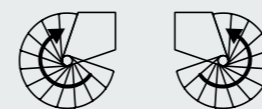
NUMBER OF STEPS	HEIGHT BETWEEN FLOORS (H)
10 steps 1 box	Min. 210 cm Max. 230 cm
11 steps 1 box	Min. 231 cm Max. 253 cm
12 steps 1 box	Min. 252 cm Max. 276 cm
13 steps 1 box	Min. 273 cm Max. 299 cm
14 steps 1 box + 1 extra step	Min. 294 cm Max. 322 cm
15 steps 1 box + 2 extra steps	Min. 315 cm Max. 345 cm
16 steps 1 box + 3 extra steps	Min. 336 cm Max. 368 cm

Add more steps to reach greater heights.

- H = Finished floor to finished floor height.
- Top universal landing fixed at the same level as the finished upper floor.
- Ceiling opening diameter: staircase diameter + 5 cm.

DIRECTION OF ASCENT

Clockwise Counter clockwise



ACCESSORIES

Extra step (with structure and railing).	Balustrade for upper floor (100 cm).	Extra section of internal post (needed for heights over 319 cm).